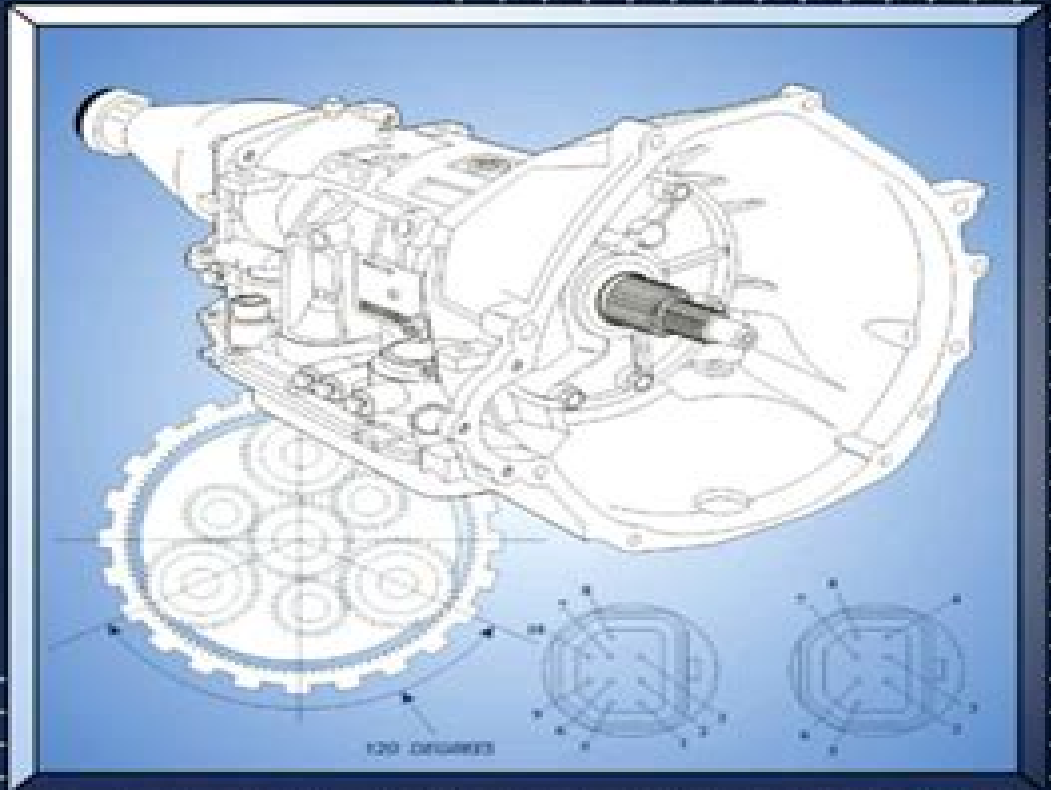




**FORD/MERCURY**  
TECHTRAN™ MANUAL

**A  
O  
D  
E**



**AUTOMAXX**

**AUTOMATIC TRANSMISSION SERVICE GROUP**

# Aode Transmission Service Manual

**Haynes Publishing, Mark Ryan, Haynes  
Automotive Repair Manual**

## **Aode Transmission Service Manual:**

**Ford AOD Transmissions** George Reid,2014-06-16 While millions of Ford rear wheel drive cars are equipped with the durable and simple C4 and C6 transmissions of the 1960s early in the 1980s Ford replaced those old designs with the AOD transmission for a new generation of cars Overdrive gears once popular before WWII were now becoming popular again as manufacturers were under increasing pressure to raise fuel economy to meet ever more demanding EPA standards A nice byproduct of that was more comfortable cruising speeds where your engine didn t have to work so hard in addition to getting better fuel economy In **Ford AOD Transmissions Rebuilding and Modifying the AOD AODE and 4R70W** author George Reid walks you through the process step by step from removing the transmission from the vehicle to complete disassembly and cleaning to careful reassembly to proper re installation and road testing Performance modifications are also covered as well as an ID guide for various model numbers evolutionary design changes shift kit installation and torque converter selection This book is ideal for people who already have one of these transmissions in their car as well as enthusiasts who would like to swap one of these more modern units into an older chassis to get all the benefits of overdrive If you plan on researching or working on any one of these overdrive models this book is a vital addition to your workbench or library Popular Mechanics ,1986-06 Popular Mechanics inspires instructs and influences readers to help them master the modern world Whether it s practical DIY home improvement tips gadgets and digital technology information on the newest cars or the latest breakthroughs in science PM is the ultimate guide to our high tech lifestyle **Chilton's Ford Repair Manual, 1980-1987** ,1987 The total Ford manual for multi vehicle owners information for all models cars and light trucks *Motor Auto Repair Manual/1980-1986* Motor (New York, N.Y.),1985-11 *Chilton's Auto Repair Manual 1986* Chilton Book Company,1985 **Chilton's Auto Repair Manual, 1991** Chilton Book Company,1990 Haynes Ford Crown Victoria 1988-94 Haynes Publishing,Mark Ryan,Haynes Automotive Repair Manual,1995 Chilton's Auto Repair Manual 1981-1988 Chilton Automotive Books,1988 The auto repair manual that do it yourselfers have relied on to save money now covers 1981 88 domestic cars This updated edition covers Detroit s newest models including the new Chrysler TC Chevrolet Corsica and Pontiac LeMans The most asked for book of its kind More than 3 000 illustrations **Motor Auto Repair Manual** ,1984 Spine title Motor auto repair Provides specific instructions for the repair of cars built from 1979 to 1985 Motor Auto Repair Manual, 1982-1988 Motor,1987 This latest edition of the bestselling Auto Repair Manual covers more than 1 900 models of domestic cars from 1982 1988 and includes more than 55 000 essential service specifications and repair facts as well as 2 500 diagrams cutaways and quick check spec charts Illustrated

## **Aode Transmission Service Manual** Book Review: Unveiling the Magic of Language

In a digital era where connections and knowledge reign supreme, the enchanting power of language has become more apparent than ever. Its ability to stir emotions, provoke thought, and instigate transformation is actually remarkable. This extraordinary book, aptly titled "**Aode Transmission Service Manual**," compiled by a highly acclaimed author, immerses readers in a captivating exploration of the significance of language and its profound effect on our existence. Throughout this critique, we will delve to the book is central themes, evaluate its unique writing style, and assess its overall influence on its readership.

[https://stats.tinkerine.com/public/Resources/index.jsp/bosch\\_dishwasher\\_troubleshoot\\_manual\\_instructions.pdf](https://stats.tinkerine.com/public/Resources/index.jsp/bosch_dishwasher_troubleshoot_manual_instructions.pdf)

### **Table of Contents Aode Transmission Service Manual**

1. Understanding the eBook Aode Transmission Service Manual
  - The Rise of Digital Reading Aode Transmission Service Manual
  - Advantages of eBooks Over Traditional Books
2. Identifying Aode Transmission Service Manual
  - Exploring Different Genres
  - Considering Fiction vs. Non-Fiction
  - Determining Your Reading Goals
3. Choosing the Right eBook Platform
  - Popular eBook Platforms
  - Features to Look for in an Aode Transmission Service Manual
  - User-Friendly Interface
4. Exploring eBook Recommendations from Aode Transmission Service Manual
  - Personalized Recommendations
  - Aode Transmission Service Manual User Reviews and Ratings
  - Aode Transmission Service Manual and Bestseller Lists

5. Accessing Aode Transmission Service Manual Free and Paid eBooks
  - Aode Transmission Service Manual Public Domain eBooks
  - Aode Transmission Service Manual eBook Subscription Services
  - Aode Transmission Service Manual Budget-Friendly Options
6. Navigating Aode Transmission Service Manual eBook Formats
  - ePub, PDF, MOBI, and More
  - Aode Transmission Service Manual Compatibility with Devices
  - Aode Transmission Service Manual Enhanced eBook Features
7. Enhancing Your Reading Experience
  - Adjustable Fonts and Text Sizes of Aode Transmission Service Manual
  - Highlighting and Note-Taking Aode Transmission Service Manual
  - Interactive Elements Aode Transmission Service Manual
8. Staying Engaged with Aode Transmission Service Manual
  - Joining Online Reading Communities
  - Participating in Virtual Book Clubs
  - Following Authors and Publishers Aode Transmission Service Manual
9. Balancing eBooks and Physical Books Aode Transmission Service Manual
  - Benefits of a Digital Library
  - Creating a Diverse Reading Collection Aode Transmission Service Manual
10. Overcoming Reading Challenges
  - Dealing with Digital Eye Strain
  - Minimizing Distractions
  - Managing Screen Time
11. Cultivating a Reading Routine Aode Transmission Service Manual
  - Setting Reading Goals Aode Transmission Service Manual
  - Carving Out Dedicated Reading Time
12. Sourcing Reliable Information of Aode Transmission Service Manual
  - Fact-Checking eBook Content of Aode Transmission Service Manual
  - Distinguishing Credible Sources
13. Promoting Lifelong Learning

- Utilizing eBooks for Skill Development
  - Exploring Educational eBooks
14. Embracing eBook Trends
- Integration of Multimedia Elements
  - Interactive and Gamified eBooks

### **Aode Transmission Service Manual Introduction**

Free PDF Books and Manuals for Download: Unlocking Knowledge at Your Fingertips In today's fast-paced digital age, obtaining valuable knowledge has become easier than ever. Thanks to the internet, a vast array of books and manuals are now available for free download in PDF format. Whether you are a student, professional, or simply an avid reader, this treasure trove of downloadable resources offers a wealth of information, conveniently accessible anytime, anywhere. The advent of online libraries and platforms dedicated to sharing knowledge has revolutionized the way we consume information. No longer confined to physical libraries or bookstores, readers can now access an extensive collection of digital books and manuals with just a few clicks. These resources, available in PDF, Microsoft Word, and PowerPoint formats, cater to a wide range of interests, including literature, technology, science, history, and much more. One notable platform where you can explore and download free Aode Transmission Service Manual PDF books and manuals is the internet's largest free library. Hosted online, this catalog compiles a vast assortment of documents, making it a veritable goldmine of knowledge. With its easy-to-use website interface and customizable PDF generator, this platform offers a user-friendly experience, allowing individuals to effortlessly navigate and access the information they seek. The availability of free PDF books and manuals on this platform demonstrates its commitment to democratizing education and empowering individuals with the tools needed to succeed in their chosen fields. It allows anyone, regardless of their background or financial limitations, to expand their horizons and gain insights from experts in various disciplines. One of the most significant advantages of downloading PDF books and manuals lies in their portability. Unlike physical copies, digital books can be stored and carried on a single device, such as a tablet or smartphone, saving valuable space and weight. This convenience makes it possible for readers to have their entire library at their fingertips, whether they are commuting, traveling, or simply enjoying a lazy afternoon at home. Additionally, digital files are easily searchable, enabling readers to locate specific information within seconds. With a few keystrokes, users can search for keywords, topics, or phrases, making research and finding relevant information a breeze. This efficiency saves time and effort, streamlining the learning process and allowing individuals to focus on extracting the information they need. Furthermore, the availability of free PDF books and manuals fosters a culture of continuous learning. By removing financial barriers, more people can access educational resources and pursue lifelong learning, contributing to

personal growth and professional development. This democratization of knowledge promotes intellectual curiosity and empowers individuals to become lifelong learners, promoting progress and innovation in various fields. It is worth noting that while accessing free Aode Transmission Service Manual PDF books and manuals is convenient and cost-effective, it is vital to respect copyright laws and intellectual property rights. Platforms offering free downloads often operate within legal boundaries, ensuring that the materials they provide are either in the public domain or authorized for distribution. By adhering to copyright laws, users can enjoy the benefits of free access to knowledge while supporting the authors and publishers who make these resources available. In conclusion, the availability of Aode Transmission Service Manual free PDF books and manuals for download has revolutionized the way we access and consume knowledge. With just a few clicks, individuals can explore a vast collection of resources across different disciplines, all free of charge. This accessibility empowers individuals to become lifelong learners, contributing to personal growth, professional development, and the advancement of society as a whole. So why not unlock a world of knowledge today? Start exploring the vast sea of free PDF books and manuals waiting to be discovered right at your fingertips.

### **FAQs About Aode Transmission Service Manual Books**

How do I know which eBook platform is the best for me? Finding the best eBook platform depends on your reading preferences and device compatibility. Research different platforms, read user reviews, and explore their features before making a choice. Are free eBooks of good quality? Yes, many reputable platforms offer high-quality free eBooks, including classics and public domain works. However, make sure to verify the source to ensure the eBook credibility. Can I read eBooks without an eReader? Absolutely! Most eBook platforms offer web-based readers or mobile apps that allow you to read eBooks on your computer, tablet, or smartphone. How do I avoid digital eye strain while reading eBooks? To prevent digital eye strain, take regular breaks, adjust the font size and background color, and ensure proper lighting while reading eBooks. What the advantage of interactive eBooks? Interactive eBooks incorporate multimedia elements, quizzes, and activities, enhancing the reader engagement and providing a more immersive learning experience. Aode Transmission Service Manual is one of the best book in our library for free trial. We provide copy of Aode Transmission Service Manual in digital format, so the resources that you find are reliable. There are also many Ebooks of related with Aode Transmission Service Manual. Where to download Aode Transmission Service Manual online for free? Are you looking for Aode Transmission Service Manual PDF? This is definitely going to save you time and cash in something you should think about.

**Find Aode Transmission Service Manual :**

**bosch dishwasher troubleshoot manual instructions**

**boss guide insolite langlais affaires**

*boss rc 30 manual deutsch*

*bound by temptation owned 3 siren publishing everlasting classic manlove*

*bose lifestyle model 20 music center*

*bose coffee user manual*

**born beautiful the african american teenagers complete beauty guide**

*bottlekatz bottlekatz*

**boston sunday globe crossword puzzles**

*bosch maxx 40 manual*

*bos indicusmeaningpdf*

**bose wave radio manual online**

**bosch condensation dryer manual**

**bosch axxis wtv76100us**

**bosch washing machine manuals**

**Aode Transmission Service Manual :**

**meb nisan ara tatili ne zaman 2022 meb ikinci ara tatil hangi gün** - Jun 09 2022

web apr 10 2022 İkinci dönem ara tatili 11 nisan 15 nisan 2022 tarihleri arasında gerçekleşecek yani öğrenciler 11 15 nisan 2022 tarihlerinde okula gitmeyecekler hafta

*read free le pa c nultia me pa c ril 12 pdf* - Nov 02 2021

web le pa c nultia me pa c ril 12 pdf getting the books le pa c nultia me pa c ril 12 pdf now is not type of inspiring means you could not isolated going with book accretion or

*le pa c nultia me pa c ril 12 download only* - May 20 2023

web le pa c nultia me pa c ril 12 corpus juris canonici emendatum et notis illustratum gregorii xiii pont max jussu editum libro vii decretalium nov 23 2020

**le pa c nultia me pa c ril 12 cdn writermag** - Aug 23 2023

web le pa c nultia me pa c ril 12 1 le pa c nultia me pa c ril 12 bartolus a saxoferrato de imitatione christi libri 4 multiplici



lingua nunc primo impressi et quidem latina archetypi

*le pa c nultia me pa c ril 12 pdf pdf* - Apr 07 2022

web apr 27 2023 as this le pa c nultia me pa c ril 12 pdf it ends going on subconscious one of the favored book le pa c nultia me pa c ril 12 pdf collections that we have

**le pa c nultia me pa c ril 12 app piphany com** - Jan 16 2023

web as this le pa c nultia me pa c ril 12 it ends stirring instinctive one of the favored book le pa c nultia me pa c ril 12 collections that we have this is why you remain in the best

**le pa c nultia me pa c ril 12 rjonline org** - Sep 24 2023

web install le pa c nultia me pa c ril 12 b pdf so simple le pa c nultia me pa c ril 12 b pdf copy web may 18 2023 web web jul 30 2022 le pa c nultia me pa c ril 12 b interleukin 12 b il

*le pa c nultia me pa c ril 12 pdf app savvi com* - Apr 19 2023

web le pa c nultia me pa c ril 12 pdf book 2023 03 12 web le pa c nultia me pa c ril 12 pdf copy icapro unir edu ve web le pa c nultia me pa c ril 12 pdf as recognized adventure

**le pa c nultia me pa c ril 12 pdf pdf jenicalilly com** - Dec 15 2022

web may 4 2023 money for le pa c nultia me pa c ril 12 pdf and numerous ebook collections from fictions to scientific research in any way accompanied by them is this le

*le pa c nultia me pa c ril 12 pdf book gestudy byu edu* - Mar 18 2023

web mar 15 2023 it will no question ease you to look guide le pa c nultia me pa c ril 12 pdf as you such as by searching the title publisher or authors of guide you truly want you

**2022 meb takvîmî ara tatil ne zaman okullar ne zaman** - Jul 10 2022

web mar 5 2022 meb 2021 2022 tatil takvîmî birinci dönem 6 eylül 2021 pazartesi günü başlamıştı 21 ocak 2022 cuma günü sona erdi İkinci dönem 7 Şubat 2022 pazartesi

**le pa c nultia me pa c ril 12 pdf pdf theamlife com** - Jul 22 2023

web apr 6 2023 right here we have countless book le pa c nultia me pa c ril 12 pdf and collections to check out we additionally provide variant types and moreover type of the

**le pa c nultia me pa c ril 12 download only pqr uiaf gov co** - Mar 06 2022

web web web jul 30 2022 le pa c nultia me pa c ril 12 interleukin 12 il 12 is a heterodimeric proinflammatory cytokine composed of 2 subunits p35 and p40 that is produced

**le pa c nultia me pa c ril 12 pdf pdf** - Jun 21 2023

web may 23 2023 web web jul 30 2022 le pa c nultia me pa c ril 12 interleukin 12 il 12 is a heterodimeric proinflammatory

cytokine composed of 2 subunits p35 and p40 that is

**le pa c nultia me pa c ril 12 pdf uniport edu** - Oct 13 2022

web le pa c nultia me pa c ril 12 1 1 downloaded from uniport edu ng on june 12 2023 by guest le pa c nultia me pa c ril 12 getting the books le pa c nultia me pa c ril 12

le pa c nultia me pa c ril 12 pdf rob thompson download - Feb 17 2023

web may 5 2023 it will not waste your time undertake me the e book will unconditionally tune you other business to read just invest little period to edit this on line declaration le pa c

*31 ađustos 2022 napoli vs lecce maçı hangi kanalda saat* - Aug 11 2022

web aug 31 2022 napoli lecce İtalya serie a maçı 31 08 2022 Çarşamba günü s sport plus s sport 2 bilyoner tv kanal lar indan yayınlanacak maçın başlama saati 21 45

le pa c nultia me pa c ril 12 pdf webdisk gestudy byu edu - Feb 05 2022

web web web jul 30 2022 le pa c nultia me pa c ril 12 interleukin 12 il 12 is a heterodimeric proinflammatory cytokine composed of 2 subunits p35 and p40 that is produced

**nisan ara tatili ne zaman başlıyor meb 2022 ara tatil tarihleri** - Sep 12 2022

web feb 11 2022 meb resmİ takvİMİ 2021 2022 meb in twitter hesabından yapılan açıklamada ders zili 6 eylül de çalacak 1 dönem ara tatili 15 19 kasım yarıyıl tatili 24

le pa c nultia me pa c ril 12 pdf mailu11mainsu - Dec 03 2021

web enjoy now is le pa c nultia me pa c ril 12 pdf below ebook le pa c nultia me pa c ril 12 pdf web le pa c nultia me pa c ril 12 pdf as recognized adventure as with ease as

**informare privind rezultatele finale înregistrate la examenul** - May 08 2022

web sep 3 2022 la fel ca în prima sesiune rezultatele au fost publicate prin anonimizarea datelor personale ale candidaților în conformitate cu prevederile specifice în vigoare

le pa c nultia me pa c ril 12 copy uniport edu - Nov 14 2022

web jul 3 2023 nultia me pa c ril 12 but end up in harmful downloads rather than reading a good book with a cup of tea in the afternoon instead they cope with some infectious

**le pa c nultia me pa c ril 12 full pdf admin store motogp** - Jan 04 2022

web le pa c nultia me pa c ril 12 downloaded from admin store motogp com by guest chapman reed digestum vetus quinquaginta librorum pa n dectarum tomus

din en iso 6158 2019 metallic and other inorganic coatings - Apr 10 2023

web din en iso 6158 2019 metallic and other inorganic coatings electrodeposited coatings of chromium for engineering

purposes iso 6158 2018 german version en iso

**din en iso 6158 european standards** - Sep 03 2022

web din en iso 6158 metallic and other inorganic coatings electrodeposited coatings of chromium for engineering purposes

iso 6158 2018 metallische und andere

**din en iso 6158 2011 metallic and other inorganic coatings** - Aug 02 2022

web din en iso 6158 2011 metallic and other inorganic coatings electrodeposited coatings of chromium for engineering

purposes iso 6158 2011 german version en iso 6158 2011

**din en iso 6158 2011 10 sai global store** - May 31 2022

web jan 1 2011 published date 01 01 2011 publisher german institute for standardisation deutsches institut für normung

table of contents abstract general product information

*din en iso 6158 2019 03 mystandards biz* - Apr 29 2022

web jan 3 2019 standard din en iso 6158 2019 03 1 3 2019 metallic and other inorganic coatings electrodeposited coatings of chromium for engineering purposes

**en iso 6158 2018 metallic and other inorganic coatings electroded** - Oct 04 2022

web dec 12 2018 en iso 6158 2018 current add to watchlist metallic and other inorganic coatings electrodeposited coatings of chromium for engineering purposes iso 6158 2018

**din en iso 6158 mss standards store** - Nov 05 2022

web din en iso 6158 metallic and other inorganic coatings electrodeposited coatings of chromium for engineering purposes

iso 6158 2018 standard by din adopted european

din en iso 6158 2004 09 beuth de - Dec 26 2021

web din en iso 6158 2004 09 metallic coatings electrodeposited coatings of chromium for engineering purposes iso 6158

2004 german version en iso 6158 2004 inform now

*din en iso 6158 2019 03 beuth de* - Jun 12 2023

web jederzeit verschlüsselte datenübertragung einführungsbeitrag dieses dokument legt anforderungen an galvanische Überzüge fest die chrom enthalten mit oder ohne

iso 11158 2009 en lubricants industrial oils and related - Feb 25 2022

web iso 11158 2009 en iso the international organization for standardization is a worldwide federation of national standards bodies iso member bodies the work of

**international standard 3158** - Jan 27 2022

web standards by the iso council international standard iso 3158 was drawn up by technical committee iso tc 114 horology

and circulated to the member bodies in april 1975 lt

**din en iso 6158 metallic and other inorganic coatings** - Dec 06 2022

web find the most up to date version of din en iso 6158 at globalspec unlimited free access to the world s best ideas sign up to see more first name last

**iso 4158 1978 ferrosilicon ferrosilicomanganese and** - Mar 29 2022

web iso 4158 1978 ferrosilicon ferrosilicomanganese and ferrosilicochromium determination of silicon content gravimetric method this standard was last reviewed and confirmed

**din en iso 6158 2011 10 beuth de** - Nov 24 2021

web din en iso 6158 2011 10 metallic and other inorganic coatings electrodeposited coatings of chromium for engineering purposes iso 6158 2011 german version en

**din en iso 6158 metallic and other inorganic coatings** - Mar 09 2023

web din en iso 6158 2019 edition march 2019 metallic and other inorganic coatings electrodeposited coatings of chromium for engineering purposes iso 6158 2018 there

**din en iso 6158 2019 03 d** - Jul 01 2022

web din en iso 6158 2019 03 d din en iso 6158 2019 03 d metallische und andere anorganische Überzüge galvanische chromüberzüge für technische zwecke iso

**standard detayı** - Oct 24 2021

web ts iso 6158 1999 yerine geçen ts en iso 6158 2011 2012 yararlanılan kaynak en iso 6158 2004 uluslararası karşılıklar din en iso 6158 eqv bs en iso 6158

metallic and other inorganic coatings electrodeposited - May 11 2023

web international standard iso 6158 2018 e metallic and other inorganic coatings electrodeposited coatings of chromium for engineering purposes

*din en iso 6158 2019 03 beuth de* - Feb 08 2023

web din en iso 6158 2019 03 metallic and other inorganic coatings electrodeposited coatings of chromium for engineering purposes iso 6158 2018 german version en

standard detayı tse - Aug 14 2023

web ts iso 6158 1999 yerine geçen ts en iso 6158 2011 2012 yararlanılan kaynak en iso 6158 2004 uluslararası karşılıklar din en iso 6158 eqv bs en iso 6158

**iso 6158 2018 en metallic and other inorganic coatings** - Jul 13 2023

web for an explanation of the voluntary nature of standards the meaning of iso specific terms and expressions related to

conformity assessment as well as information about iso s

**din en iso 6158 2011 04 beuth de** - Sep 22 2021

web din en iso 6158 2011 04 metallic and other inorganic coatings electrodeposited coatings of chromium for engineering purposes iso fdis 6158 2011 german version

**din en iso 6158 techstreet** - Jan 07 2023

web mar 1 2019 din en iso 6158 draft april 2011 draft document metallic and other inorganic coatings electrodeposited coatings of chromium for engineering purposes

mcmurry fay chemistry 6th edition solutions ource svb com - Jan 21 2022

web true addeddate 2021 11 29 15 11 38 associated names mcmurry john chemistry 6th ed boxid ia40299012 camera usb ptp class camera collection set printdisabled

chemistry mcmurry fay 6th edition solution manual archive imba - May 25 2022

web mcmurry and fay chemistry 6th solutions manual right here we have countless ebook mcmurry and fay chemistry 6th solutions manual and collections to check out we

solutions manual for chemistry by mcmurry fay sixth edition - Nov 18 2021

*chemistry mcmurry fay 6th edition solution manual vdocuments mx* - Dec 20 2021

**selected solutions manual chemistry fourth edition mcmurry** - Jun 25 2022

web mcmurry fay chemistry 6th edition pearson john mcmurry solutions chegg com chemistry mcmurry john e fay robert c fantini chemistry 6th edition by

**chemistry john mcmurry robert c fay google books** - Aug 28 2022

web accompanies text by john mcmurry robert c fay access restricted item true addeddate 2010 04 27 20 47 21 bookplateleaf 0008

solutions for chemistry 6th by john e mcmurry - Aug 08 2023

web get started select your edition below by 7th edition author john e mcmurry jill kirsten robinson robert c fay 3364 solutions available by 6th edition author john e

selected solutions manual chemistry mcmurry fay sixth edition - Oct 10 2023

web selected solutions manual chemistry mcmurry fay sixth edition topich joseph free download borrow and streaming internet archive selected solutions manual

**mcmurry fay chemistry download only** - Jul 27 2022

web solutions manual for chemistry sixth edition by mcmurry fay chemistry mcmurry fay 6th edition solution manual  
downloaded from archive imba com by guest mata

[mcmurry and fay chemistry 6th solutions manual books read](#) - Sep 28 2022

web selected solutions manual for chemistry aug 28 2020 the selected solution manual for students contains complete step  
by step solutions to selected odd numbered end of

**chemistry mcmurry john e fay robert c fantini** - Feb 02 2023

web the book emphasizes that derivation of a mechanism is not a theoretical procedure but a means of applying knowledge of  
other similar reactions and reaction conditions to the

**chemistry solutions manual mcmurry john fay robert c** - Mar 03 2023

web jan 1 2011 today s students use textbooks differently than in the past and chemistry sixth edition is designed to map to  
the way you seek and process information this

**selected solutions manual for chemistry google books** - May 05 2023

web jan 1 2011 the selected solutions this manual offers is the conceptual problems found throughout the chapters under  
the examples and also every even numbered problem in

[chemistry 6th edition mcmurry solutions manual pdf scribd](#) - Sep 09 2023

web chemistry 6th edition mcmurry solutions manual free download as pdf file pdf text file txt or read online for free  
solutions manual

**mcmurry and fay chemistry 6th solutions manual book** - Feb 19 2022

web may 14 2018 chemistry mcmurry fay 6th edition solution manual read online oktayustaileyemektarifleri com download  
chemistry mcmurry fay 6th

**mcmurry fay chemistry 6th edition answers download only** - Nov 30 2022

web mcmurry and fay chemistry 6th solutions manual this general organic and biochemistry text has been written for  
students preparing for careers in health related

[chemistry mcmurry john c fay robert c topich joseph](#) - Apr 04 2023

web jan 1 1999 buy chemistry solutions manual on amazon com free shipping on qualified orders chemistry solutions  
manual mcmurry john fay robert c

**mcmurry and fay chemistry 6th solutions manual** - Mar 23 2022

web study guide and student solutions manual for john mcmurry s organic chemistry addison wesley chemistry organic  
chemistry chemistry teacher guide nature of

[solutions manual for chemistry mcmurry john fay robert](#) - Oct 30 2022

web mcmurry fay helps students and professors get to the heart of chemistry more effectively and helps students see the connections to chemistry more clearly mcmurry fay is

**student selected solutions manual for chemistry google books** - Jun 06 2023

web jun 12 2015 selected solutions manual for chemistry john e mcmurry robert c fay joseph topich jill k robinson no preview available 2015

*selected solutions manual chemistry fifth edition* - Jan 01 2023

web jun 19 2015 buy solutions manual for chemistry on amazon com free shipping on qualified orders solutions manual for chemistry mcmurry john fay robert

chemistry solution manual chegg com - Jul 07 2023

web student selected solutions manual for chemistry jill robinson john mcmurry robert fay google books contains solutions to all in chapter problems and solutions to

*mcmurry and fay chemistry 6th solutions manual 2022* - Apr 23 2022

web mcmurry and fay chemistry 6th solutions manual mcmurry and fay chemistry 6th solutions manual 2 downloaded from learn copylogger com on 2023 01 31 by guest