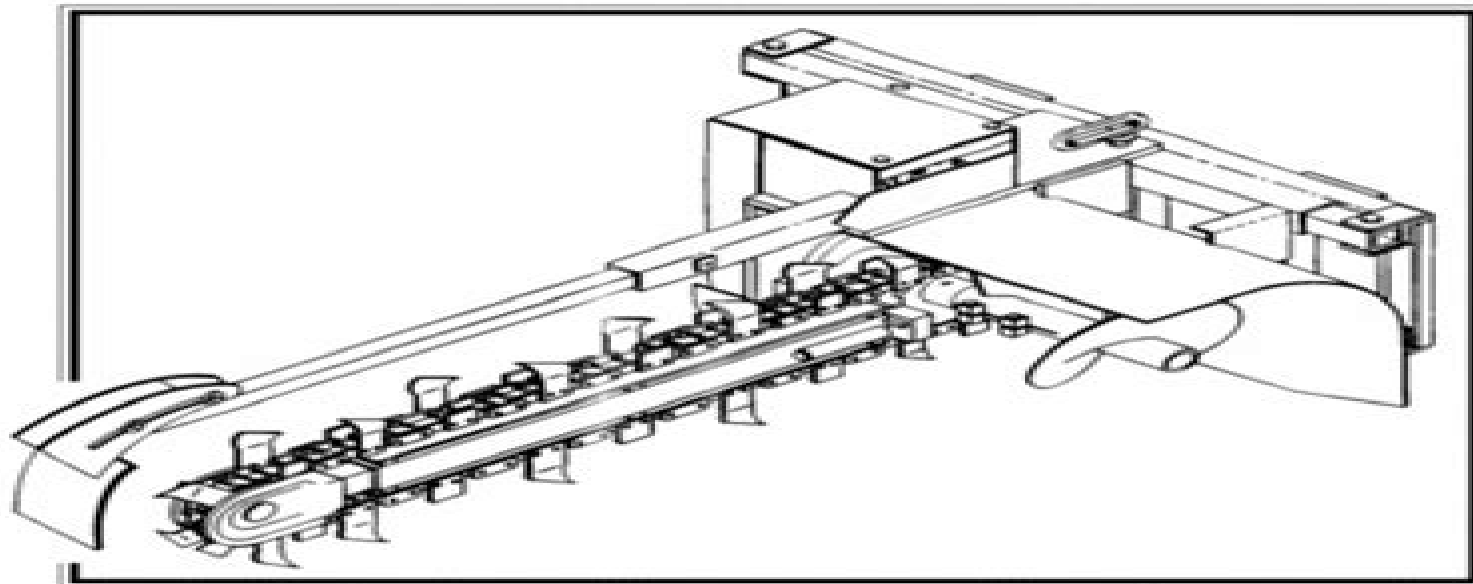


# BRADCO.

## 617 TRENCHER ALL SKID STEER APPLICATIONS



## OPERATOR'S MANUAL

BRADCO®  
P.O. Box 266 - Delhi, Iowa 52223 USA  
(319) 922-2981 - (800) 922-2981  
Fax 319-922-2130

OM495  
REV. 5

5759 9-8-04-5

75395

# Bradco 617 Trencher Operators User Owner Manual

**R Pring**



**Bradco 617 Trencher Operators User Owner Manual:**

Fuel your quest for knowledge with Learn from is thought-provoking masterpiece, **Bradco 617 Trencher Operators User Owner Manual** . This educational ebook, conveniently sized in PDF ( \*), is a gateway to personal growth and intellectual stimulation. Immerse yourself in the enriching content curated to cater to every eager mind. Download now and embark on a learning journey that promises to expand your horizons. .

<https://stats.tinkerine.com/About/uploaded-files/Documents/atkins%20jones%20chemical%20principles%20solution%20manual.pdf>

## **Table of Contents Bradco 617 Trencher Operators User Owner Manual**

1. Understanding the eBook Bradco 617 Trencher Operators User Owner Manual
  - The Rise of Digital Reading Bradco 617 Trencher Operators User Owner Manual
  - Advantages of eBooks Over Traditional Books
2. Identifying Bradco 617 Trencher Operators User Owner Manual
  - Exploring Different Genres
  - Considering Fiction vs. Non-Fiction
  - Determining Your Reading Goals
3. Choosing the Right eBook Platform
  - Popular eBook Platforms
  - Features to Look for in an Bradco 617 Trencher Operators User Owner Manual
  - User-Friendly Interface
4. Exploring eBook Recommendations from Bradco 617 Trencher Operators User Owner Manual
  - Personalized Recommendations
  - Bradco 617 Trencher Operators User Owner Manual User Reviews and Ratings
  - Bradco 617 Trencher Operators User Owner Manual and Bestseller Lists
5. Accessing Bradco 617 Trencher Operators User Owner Manual Free and Paid eBooks
  - Bradco 617 Trencher Operators User Owner Manual Public Domain eBooks
  - Bradco 617 Trencher Operators User Owner Manual eBook Subscription Services

- Bradco 617 Trencher Operators User Owner Manual Budget-Friendly Options
- 6. Navigating Bradco 617 Trencher Operators User Owner Manual eBook Formats
  - ePub, PDF, MOBI, and More
  - Bradco 617 Trencher Operators User Owner Manual Compatibility with Devices
  - Bradco 617 Trencher Operators User Owner Manual Enhanced eBook Features
- 7. Enhancing Your Reading Experience
  - Adjustable Fonts and Text Sizes of Bradco 617 Trencher Operators User Owner Manual
  - Highlighting and Note-Taking Bradco 617 Trencher Operators User Owner Manual
  - Interactive Elements Bradco 617 Trencher Operators User Owner Manual
- 8. Staying Engaged with Bradco 617 Trencher Operators User Owner Manual
  - Joining Online Reading Communities
  - Participating in Virtual Book Clubs
  - Following Authors and Publishers Bradco 617 Trencher Operators User Owner Manual
- 9. Balancing eBooks and Physical Books Bradco 617 Trencher Operators User Owner Manual
  - Benefits of a Digital Library
  - Creating a Diverse Reading Collection Bradco 617 Trencher Operators User Owner Manual
- 10. Overcoming Reading Challenges
  - Dealing with Digital Eye Strain
  - Minimizing Distractions
  - Managing Screen Time
- 11. Cultivating a Reading Routine Bradco 617 Trencher Operators User Owner Manual
  - Setting Reading Goals Bradco 617 Trencher Operators User Owner Manual
  - Carving Out Dedicated Reading Time
- 12. Sourcing Reliable Information of Bradco 617 Trencher Operators User Owner Manual
  - Fact-Checking eBook Content of Bradco 617 Trencher Operators User Owner Manual
  - Distinguishing Credible Sources
- 13. Promoting Lifelong Learning
  - Utilizing eBooks for Skill Development
  - Exploring Educational eBooks
- 14. Embracing eBook Trends

- Integration of Multimedia Elements
- Interactive and Gamified eBooks

### **Bradco 617 Trencher Operators User Owner Manual Introduction**

Bradco 617 Trencher Operators User Owner Manual Offers over 60,000 free eBooks, including many classics that are in the public domain. Open Library: Provides access to over 1 million free eBooks, including classic literature and contemporary works. Bradco 617 Trencher Operators User Owner Manual Offers a vast collection of books, some of which are available for free as PDF downloads, particularly older books in the public domain. Bradco 617 Trencher Operators User Owner Manual : This website hosts a vast collection of scientific articles, books, and textbooks. While it operates in a legal gray area due to copyright issues, its a popular resource for finding various publications. Internet Archive for Bradco 617 Trencher Operators User Owner Manual : Has an extensive collection of digital content, including books, articles, videos, and more. It has a massive library of free downloadable books. Free-eBooks Bradco 617 Trencher Operators User Owner Manual Offers a diverse range of free eBooks across various genres. Bradco 617 Trencher Operators User Owner Manual Focuses mainly on educational books, textbooks, and business books. It offers free PDF downloads for educational purposes. Bradco 617 Trencher Operators User Owner Manual Provides a large selection of free eBooks in different genres, which are available for download in various formats, including PDF. Finding specific Bradco 617 Trencher Operators User Owner Manual, especially related to Bradco 617 Trencher Operators User Owner Manual, might be challenging as theyre often artistic creations rather than practical blueprints. However, you can explore the following steps to search for or create your own Online Searches: Look for websites, forums, or blogs dedicated to Bradco 617 Trencher Operators User Owner Manual, Sometimes enthusiasts share their designs or concepts in PDF format. Books and Magazines Some Bradco 617 Trencher Operators User Owner Manual books or magazines might include. Look for these in online stores or libraries. Remember that while Bradco 617 Trencher Operators User Owner Manual, sharing copyrighted material without permission is not legal. Always ensure youre either creating your own or obtaining them from legitimate sources that allow sharing and downloading. Library Check if your local library offers eBook lending services. Many libraries have digital catalogs where you can borrow Bradco 617 Trencher Operators User Owner Manual eBooks for free, including popular titles. Online Retailers: Websites like Amazon, Google Books, or Apple Books often sell eBooks. Sometimes, authors or publishers offer promotions or free periods for certain books. Authors Website Occasionally, authors provide excerpts or short stories for free on their websites. While this might not be the Bradco 617 Trencher Operators User Owner Manual full book , it can give you a taste of the authors writing style. Subscription Services Platforms like Kindle Unlimited or Scribd offer subscription-based access to a wide range of Bradco 617 Trencher Operators User Owner Manual eBooks, including some popular titles.

## FAQs About Bradco 617 Trencher Operators User Owner Manual Books

How do I know which eBook platform is the best for me? Finding the best eBook platform depends on your reading preferences and device compatibility. Research different platforms, read user reviews, and explore their features before making a choice. Are free eBooks of good quality? Yes, many reputable platforms offer high-quality free eBooks, including classics and public domain works. However, make sure to verify the source to ensure the eBook credibility. Can I read eBooks without an eReader? Absolutely! Most eBook platforms offer web-based readers or mobile apps that allow you to read eBooks on your computer, tablet, or smartphone. How do I avoid digital eye strain while reading eBooks? To prevent digital eye strain, take regular breaks, adjust the font size and background color, and ensure proper lighting while reading eBooks. What the advantage of interactive eBooks? Interactive eBooks incorporate multimedia elements, quizzes, and activities, enhancing the reader engagement and providing a more immersive learning experience. Bradco 617 Trencher Operators User Owner Manual is one of the best book in our library for free trial. We provide copy of Bradco 617 Trencher Operators User Owner Manual in digital format, so the resources that you find are reliable. There are also many Ebooks of related with Bradco 617 Trencher Operators User Owner Manual. Where to download Bradco 617 Trencher Operators User Owner Manual online for free? Are you looking for Bradco 617 Trencher Operators User Owner Manual PDF? This is definitely going to save you time and cash in something you should think about.

### Find Bradco 617 Trencher Operators User Owner Manual :

**atkins jones chemical principles solution manual**

[atlas copco xas185jdhh service manual](#)

*atls 2016*

[atkins physical chemistry 5th edition solutions manual](#)

[atlas of emergency ultrasound cambridge medicine](#)

**atlas copco ga 5 ff service manual**

*atlas copco 55 vsd ff manual*

**atpco fare filing guide**

*atlas craftsman metal lathe operation manual*

[atonement anything he wants 10](#)

**atomic robo volume 8 the savage sword of dr dinosaur**

**ati comprehensive predictor study guide**

**atomic and nuclear physics study guide**

atmospheric acoustic remote sensing principles and applications hardcover 2007 author stuart bradley  
atlas copco xas 55 dd operators manual

**Bradco 617 Trencher Operators User Owner Manual :**

**theories of development william c crain free download** - May 02 2022

web english xiv 432 p 24 cm includes bibliographical references p 396 416 and index early theories preformationism locke and rousseau gesell s maturational theory

theories of development 6th edition vitalsource - Oct 07 2022

web new to this edition research and citations have been updated throughout expansion of the chapter on ethology reflecting the author s growing conviction that the study of

theories of development concepts and - Apr 01 2022

*theories of development crain 6th edition* - Jan 30 2022

**theories of development concepts and applications william** - Aug 05 2022

web theories of development by william c crain publication date 2000 topics developmental psychology textbooks publisher  
*theories of development concepts and applications crain* - Dec 29 2021

theories of development concepts and applications google - Apr 13 2023

web for undergraduate graduate courses in theories of development child development and lifespan development the result of extensive scholarship and consultation with

*theories of development concepts and applications* - Jun 15 2023

web jun 29 2017 william crain taylor francis group jun 29 2017 the result of extensive scholarship and consultation with leading scholars this text introduces students to twenty

**theories of development concepts and applications** - Jan 10 2023

web theories of development concepts and applications 6th edition is written by william crain and published by routledge the digital and etextbook isbn for theories of

*theories of development 6th ed william crain* - Jul 16 2023

web oct 2 2015 theories of development concepts and applications author william crain edition 6 reprint revised publisher



psychology press 2015 isbn 1317343220

*theories of development by william c crain open library* - Jun 03 2022

web theories of development crain 6th edition author blogs post gazette com 2023 10 04t00 00 00 00 01 subject theories of development crain 6th edition keywords

*theories of development concepts and applications google* - Feb 11 2023

web from theories of development concepts and applications sixth edition william crain copyright 2011 by pearson education inc published by pearson prentice hall all

**theories of development concepts and applications sixth** - Nov 08 2022

web theories of development concepts and applications william crain google books the result of extensive scholarship and consultation with leading scholars this text introduces

theories of development concepts and applications edition 6 - Dec 09 2022

web theories of development concepts and applications william c crain pearson prentice hall 2005 child development 429 pages for undergraduate graduate courses in

theories of development by william crain open library - Feb 28 2022

*theories of development concepts and applications google* - May 14 2023

web william c crain pearson 2010 child development 432 pages the result of extensive scholarship and consultation with leading scholars this classic text introduces students

theories of development concepts and applications google - Jul 04 2022

web december 29 2021 created by importbot imported from theories of development by william crain 2015 taylor francis group edition in english

theories of development concepts and applications - Sep 18 2023

web aug 27 2015 abstract the result of extensive scholarship and consultation with leading scholars this text introduces students to twenty four theorists and compares

theories of development concepts and applications google - Mar 12 2023

web theories of development concepts and applications edition 6 ebook written by william crain read this book using google play books app on your pc android ios devices

*theories of development concepts and applications google* - Sep 06 2022

web dec 8 2022 availability 1 theories of development concepts and applications 2010 prentice hall in english 6th ed 0205810462 9780205810468 aaaa borrow listen

[theories of development concepts and applications william](#) - Aug 17 2023

web theories of development concepts and applications edition 6 ebook written by william crain read this book using google play books app on your pc android ios devices

[eric frank russell wikiquote](#) - Aug 01 2022

web russell s classic sinister barrier was the cover story for unknown no 1 1939 03 eric frank russell january 6 1905 february 28 1978 was a british author best known for his science fiction novels and short stories

**eric frank russell wikipedia** - Oct 15 2023

web eric frank russell january 6 1905 february 28 1978 was a british writer best known for his science fiction novels and short stories much of his work was first published in the united states in john w campbell s astounding

**and then there were none by eric frank russell abelard** - Nov 04 2022

web for information on eric frank russell his life and a bibliography of his writings shadow man a site created by narrelle harris is recommended the bibliography of efr on narrelle harris site on this introductory page there are links to pages including those on novels short stories and articles 3

**dreadful sanctuary wikipedia** - Feb 07 2023

web dreadful sanctuary is a science fiction novel by british author eric frank russell after its serialization in the american magazine astounding science fiction in 1948 it was first published in book form in 1951 by fantasy press in an edition of 2 975 copies

[the best of eric frank russell wikipedia](#) - Jun 11 2023

web the best of eric frank russell is a collection of science fiction short stories by british author eric frank russell it was first published in paperback by del rey ballantine in october 1978 as a volume in its classic library of science fiction it was reprinted in july 1986 and march 1987 the book has been translated into german 1

**the space willies six worlds yonder by eric frank russell goodreads** - Sep 02 2022

web eric frank russell was a british author best known for his science fiction novels and short stories much of his work was first published in the united states in john w campbell s astounding science fiction and other pulp magazines russell also wrote horror fiction for weird tales and non fiction articles on fortean topics

[sinister barrier wikipedia](#) - May 10 2023

web sinister barrier is an english language science fiction novel by british writer eric frank russell the novel originally appeared in the magazine unknown in 1939 the first novel to appear in its pages

[eric frank russell open library](#) - May 30 2022

web by isaac asimov walter m miller eric frank russell murray leinster arthur c clarke avram davidson clifford d Simak robert

bloch daniel keyes and 10 others first published in 1962 9 editions in 2 languages 1 previewable borrow listen

**nfl offensive coordinators from bill o brien to kellen moore** - Feb 24 2022

web 13 hours ago new england patriots offensive coordinator bill o brien playcaller bill o brien what has gone right not enough the integration of rookie wr demario douglas into the offense in recent weeks has added a little spark and the usage of multiple te sets has been one constant that has produced results at times but the team ranks 31st in the *russell investments wikipedia* - Oct 03 2022

web founded by frank russell in 1936 in tacoma washington russell investments began as a stockbroker and consultant and later created the russell 2000 index one of the most followed stock market indices in the u s his grandson george russell has been credited with expanding the company and pioneering the business of pension

**the great explosion wikipedia** - Jul 12 2023

web the great explosion is a satirical science fiction novel by english writer eric frank russell first published in 1962 the story is divided into three sections the final section is based on russell s 1951 short story and then there were none twenty three years after the novel was published it won a prometheus hall of fame award plot

**summary bibliography eric frank russell internet speculative** - Jun 30 2022

web apr 24 2006 summary bibliography eric frank russell author eric frank russell author record 51 legal name russell eric frank birthplace sandhurst surrey england uk birthdate 6 january 1905 deathdate 28 february 1978 language english webpages archiveshub ac uk liverpool ac uk sfe sfhub ac uk wikipedia en

[the best of eric frank russell goodreads](#) - Jan 06 2023

web eric frank russell was a british author best known for his science fiction novels and short stories much of his work was first published in the united states in john w campbell s astounding science fiction and other pulp magazines russell also wrote horror fiction for weird tales and non fiction articles on fortean topics

*eric frank russell wikipedia bahasa indonesia ensiklopedia* - Mar 28 2022

web eric frank russell 6 januari 1905 28 februari 1978 adalah seorang pengarang inggris yang dikenal atas novel dan cerpen fiksi ilmiah buatannya kebanyakan karyanya pertama kali terbit di amerika serikat bacaan tambahan jacob edwards 2010 overlooked the non fiction of eric frank russell

*books by eric frank russell author of wasp goodreads* - Aug 13 2023

web eric frank russell has 337 books on goodreads with 36344 ratings eric frank russell s most popular book is wasp

*eric frank russell author of wasp goodreads* - Sep 14 2023

web eric frank russell was a british author best known for his science fiction novels and short stories much of his work was first published in the united states in john w campbell s astounding science fiction and other pulp magazines russell also

wrote horror fiction for weird tales and non fiction articles on fortean topics

**wasp novel wikipedia** - Dec 05 2022

web wasp is a 1957 science fiction novel by english author eric frank russell terry pratchett author of the discworld series of fantasy books stated that he can t imagine a funnier terrorists handbook wasp is generally considered russell s best novel 1  
*eric frank russell fancyclopedia 3* - Apr 28 2022

web eric frank russell was a british fan and pro much of his work was first published in the united states in astounding and other pulp magazines russell also wrote horror fiction for weird tales several of his stories were published under the pseudonyms of webster craig brad kent duncan h munroe and niall wilde

**sfe russell eric frank sf encyclopedia** - Apr 09 2023

web eric frank russell born sandhurst surrey 6 january 1905 died liverpool england 28 february 1978 works sinister barrier kingswood surrey the world s work 1913 ltd 1943 in the publisher s master thriller series hb wilfred joseph roberts sinister barrier reading pennsylvania fantasy press 1948 rev of the above hb a j donnell

**eric frank russell fantastic fiction** - Mar 08 2023

web eric frank russell 1905 1978 aka maurice g hugi nialle wilde eric frank russell was the first british writer to contribute regularly to astounding science fiction his first story the saga of pelican west appearing in that magazine in 1937

*korg n 364 music workstation synthxl service repair manual* - Jun 22 2022

web korg n364 n 364 n 364 did you find the manual you were looking for support synth xl make donation now synth xl free service manual for synthesizer pro equipment cf lttmrz70h23l219h 2018 2023 disclaimer all manuals are collected from the world wide web and provided for hobby historical curiosity study

**korg** - May 02 2023

web korg

*korg n364 vintage synth explorer* - May 22 2022

web check prices korg released the n364 along with its 76 key version the n264 in 1996 it is a music workstation synthesizer that is based on the proven advanced integrated system or ai2 synthesis engine by korg it offers users eight megabytes of sample rom and features 936 programs and combinations

[korg n364 midimanuals com](#) - Jul 24 2022

web this page contains information about manuals for the n364 from korg manuals for guitar effects synthesizers and midi devices midimanuals com korg n364 home manuals korg n364 the following manuals are available for the n364 from korg basic guide reference guide

**korg n364 61 user manual manualmachine com** - Oct 27 2022

web 3 press the right directional button once to highlight the sound for the second timbre 4 using the value slider or yes no buttons set the second timbre to a01 n piano this will be our first sound for the right hand 5 press the right directional button once again to highlight the sound for the third timbre

[downloads manuals korg](#) - Apr 01 2023

web our support system is a treasure trove of knowledge providing owner s manuals easy start guides faqs os upgrades usb drivers bonus sound data and more if you are unable to find a manual for your product in the list below let us know download the latest pc and mac compatibility chart

[downloads n364 basic guide korg usa](#) - Oct 07 2023

web pdf n364 basic guide 2015 06 01 pdf 3 6mb adobe reader is necessary to view these files download free adobe reader here

[korg n364 guide manualzz](#) - Sep 25 2022

web view online 74 pages or download pdf 3 63 mb korg n264 guide n264 musical instruments pdf manual download and more korg online manuals categories upload

[korg key music workstation n364 61 manuals manualslib](#) - Jan 30 2023

web manuals and user guides for korg key music workstation n364 61 we have 1 korg key music workstation n364 61 manual available for free pdf download user manual korg key music workstation n364 61 user manual 10 pages

[korg n364 user s manual manualzz](#) - Dec 29 2022

web view online 10 pages or download pdf 630 kb korg n364 n364 61 user manual n364 n364 61 pdf manual download and more korg online manuals

[support korg usa](#) - Jul 04 2023

web support information for your korg product user registration user registration for kronos x kronos user registration for korg legacy collection

[korg n264 reference manual pdf download manualslib](#) - Feb 16 2022

web view and download korg n264 reference manual online ai2 synthesis system music workstation n264 musical instrument pdf manual download also for n364

[downloads n364 korg usa](#) - Sep 06 2023

web downloads downloads n364 sold out

[korg n364 manuals manualslib](#) - Jun 03 2023

web we have 3 korg n364 manuals available for free pdf download reference manual basic manual service manual

[downloads n364 factory preload data korg usa](#) - Apr 20 2022

web jan 1 2015 this is the preload data for the n264 and n364 this download contains information to load your korg product with factory preset settings this download consist of a single folder which contains the information for the product you simply need to copy the information within the folder to a separate disk

*korg* - Feb 28 2023

web created date 3 1 2005 12 46 30 pm

*korg n264 n364 basic guide owners manual pdf scribd* - Nov 27 2022

web korg n264 n364 basic guide owners manual free download as pdf file pdf or read online for free

*korg n364 manuals user guides* - Aug 25 2022

web korg n364 manuals user guides user manuals guides and specifications for your korg n364 musical instrument

synthesizer database contains 3 korg n364 manuals available for free online viewing or downloading in pdf basic manual

reference manual service manual

*n364 61 key music workstation korg* - Aug 05 2023

web n364 61 key music workstation how can i create my own combinations how can i change the tempo in the middle of the song what are the bank change values can i route sounds to the individual outputs basics of combination writing for n364 n264 x3 x2 x3r

**n364 synthmania** - Mar 20 2022

web n364 music workstation image source korg com a solid workstation based on the proven ai<sup>2</sup> technology the korg n364 is a keyboard that features classy proven sounds and so many of them if i should pick a certain category of music the n364 is more suited for i d say soundtrack ethnic