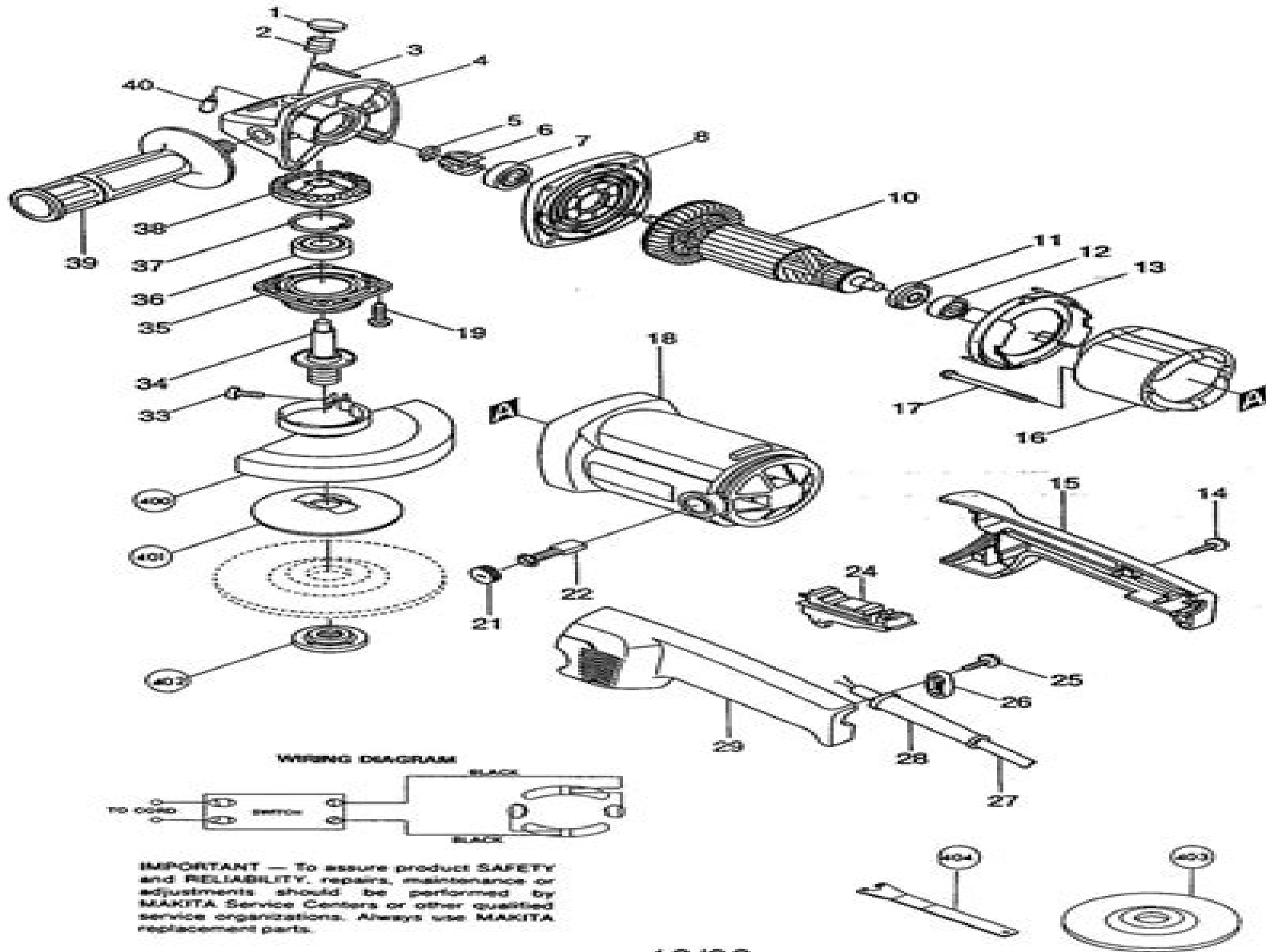


# 5" (125mm) ANGLE GRINDER



# Alexander Grinder Manual

**DP Hallahan**



## **Alexander Grinder Manual:**

Manual Training Magazine Charles Alpheus Bennett, William Thomas Bawden, 1920      **Manual Training Magazine**, 1919      **Alexander's Care of the Patient in Surgery - E-Book** Jane C. Rothrock, 2018-01-16 NEW Robotic Assisted Surgery boxes highlight a rapidly expanding surgical modality NEW Enhanced Recovery After Surgery boxes promote review of protocols for early recovery for patients undergoing major surgery NEW Patient Engagement Exemplar boxes optimize surgical outcomes by addressing AORN guidelines on the issues of patient care and involvement of the patient's family NEW standards and AORN toolkits cover topics ranging from enhanced post surgical recovery to prevention of pressure ulcers

**The National Provisioner**, 1949 Vols for 1995 include an annual issue with title Sourcebook      Heraldry for the Dead Katina T. Lillios, 2010-01-01 In the late 1800s archaeologists began discovering engraved stone plaques in Neolithic 3500-2500 BC graves in southern Portugal and Spain About the size of one's palm usually made of slate and incised with geometric or more rarely zoomorphic and anthropomorphic designs these plaques have mystified generations of researchers What do their symbols signify How were the plaques produced Were they worn during an individual's lifetime or only made at the time of their death Why indeed were the plaques made at all Employing an eclectic range of theoretical and methodological lenses Katina Lillios surveys all that is currently known about the Iberian engraved stone plaques and advances her own carefully considered hypotheses about their manufacture and meanings After analyzing data on the plaques workmanship and distribution she builds a convincing case that the majority of the Iberian plaques were genealogical records of the dead that served as durable markers of regional and local group identities Such records she argues would have contributed toward legitimating and perpetuating an ideology of inherited social difference in the Iberian Late Neolithic      **Manual Training and Vocational Education** Charles Alpheus Bennett, William Thomas Bawden, 1919      American Machinist, 1924      Grinders & Grammars, 1995      *Monthly Catalogue, United States Public Documents*, 1970      **Monthly Catalog of United States Government Publications**, 1989

As recognized, adventure as capably as experience practically lesson, amusement, as skillfully as conformity can be gotten by just checking out a books **Alexander Grinder Manual** plus it is not directly done, you could consent even more re this life, vis--vis the world.

We come up with the money for you this proper as without difficulty as easy exaggeration to acquire those all. We present Alexander Grinder Manual and numerous books collections from fictions to scientific research in any way. in the midst of them is this Alexander Grinder Manual that can be your partner.

<https://stats.tinkerine.com/files/publication/default.aspx/anxiety%20treatment%20techniques%20that%20really%20work%20a%20practical%20guide%20for%20therapists.pdf>

## **Table of Contents Alexander Grinder Manual**

1. Understanding the eBook Alexander Grinder Manual
  - The Rise of Digital Reading Alexander Grinder Manual
  - Advantages of eBooks Over Traditional Books
2. Identifying Alexander Grinder Manual
  - Exploring Different Genres
  - Considering Fiction vs. Non-Fiction
  - Determining Your Reading Goals
3. Choosing the Right eBook Platform
  - Popular eBook Platforms
  - Features to Look for in an Alexander Grinder Manual
  - User-Friendly Interface
4. Exploring eBook Recommendations from Alexander Grinder Manual
  - Personalized Recommendations
  - Alexander Grinder Manual User Reviews and Ratings
  - Alexander Grinder Manual and Bestseller Lists

5. Accessing Alexander Grinder Manual Free and Paid eBooks
  - Alexander Grinder Manual Public Domain eBooks
  - Alexander Grinder Manual eBook Subscription Services
  - Alexander Grinder Manual Budget-Friendly Options
6. Navigating Alexander Grinder Manual eBook Formats
  - ePub, PDF, MOBI, and More
  - Alexander Grinder Manual Compatibility with Devices
  - Alexander Grinder Manual Enhanced eBook Features
7. Enhancing Your Reading Experience
  - Adjustable Fonts and Text Sizes of Alexander Grinder Manual
  - Highlighting and Note-Taking Alexander Grinder Manual
  - Interactive Elements Alexander Grinder Manual
8. Staying Engaged with Alexander Grinder Manual
  - Joining Online Reading Communities
  - Participating in Virtual Book Clubs
  - Following Authors and Publishers Alexander Grinder Manual
9. Balancing eBooks and Physical Books Alexander Grinder Manual
  - Benefits of a Digital Library
  - Creating a Diverse Reading Collection Alexander Grinder Manual
10. Overcoming Reading Challenges
  - Dealing with Digital Eye Strain
  - Minimizing Distractions
  - Managing Screen Time
11. Cultivating a Reading Routine Alexander Grinder Manual
  - Setting Reading Goals Alexander Grinder Manual
  - Carving Out Dedicated Reading Time
12. Sourcing Reliable Information of Alexander Grinder Manual
  - Fact-Checking eBook Content of Alexander Grinder Manual
  - Distinguishing Credible Sources
13. Promoting Lifelong Learning

- Utilizing eBooks for Skill Development
  - Exploring Educational eBooks
14. Embracing eBook Trends
- Integration of Multimedia Elements
  - Interactive and Gamified eBooks

### **Alexander Grinder Manual Introduction**

In the digital age, access to information has become easier than ever before. The ability to download Alexander Grinder Manual has revolutionized the way we consume written content. Whether you are a student looking for course material, an avid reader searching for your next favorite book, or a professional seeking research papers, the option to download Alexander Grinder Manual has opened up a world of possibilities. Downloading Alexander Grinder Manual provides numerous advantages over physical copies of books and documents. Firstly, it is incredibly convenient. Gone are the days of carrying around heavy textbooks or bulky folders filled with papers. With the click of a button, you can gain immediate access to valuable resources on any device. This convenience allows for efficient studying, researching, and reading on the go. Moreover, the cost-effective nature of downloading Alexander Grinder Manual has democratized knowledge. Traditional books and academic journals can be expensive, making it difficult for individuals with limited financial resources to access information. By offering free PDF downloads, publishers and authors are enabling a wider audience to benefit from their work. This inclusivity promotes equal opportunities for learning and personal growth. There are numerous websites and platforms where individuals can download Alexander Grinder Manual. These websites range from academic databases offering research papers and journals to online libraries with an expansive collection of books from various genres. Many authors and publishers also upload their work to specific websites, granting readers access to their content without any charge. These platforms not only provide access to existing literature but also serve as an excellent platform for undiscovered authors to share their work with the world. However, it is essential to be cautious while downloading Alexander Grinder Manual. Some websites may offer pirated or illegally obtained copies of copyrighted material. Engaging in such activities not only violates copyright laws but also undermines the efforts of authors, publishers, and researchers. To ensure ethical downloading, it is advisable to utilize reputable websites that prioritize the legal distribution of content. When downloading Alexander Grinder Manual, users should also consider the potential security risks associated with online platforms. Malicious actors may exploit vulnerabilities in unprotected websites to distribute malware or steal personal information. To protect themselves, individuals should ensure their devices have reliable antivirus software installed and validate the legitimacy of the websites they are downloading from. In conclusion, the ability to download Alexander Grinder

Manual has transformed the way we access information. With the convenience, cost-effectiveness, and accessibility it offers, free PDF downloads have become a popular choice for students, researchers, and book lovers worldwide. However, it is crucial to engage in ethical downloading practices and prioritize personal security when utilizing online platforms. By doing so, individuals can make the most of the vast array of free PDF resources available and embark on a journey of continuous learning and intellectual growth.

### **FAQs About Alexander Grinder Manual Books**

How do I know which eBook platform is the best for me? Finding the best eBook platform depends on your reading preferences and device compatibility. Research different platforms, read user reviews, and explore their features before making a choice. Are free eBooks of good quality? Yes, many reputable platforms offer high-quality free eBooks, including classics and public domain works. However, make sure to verify the source to ensure the eBook credibility. Can I read eBooks without an eReader? Absolutely! Most eBook platforms offer web-based readers or mobile apps that allow you to read eBooks on your computer, tablet, or smartphone. How do I avoid digital eye strain while reading eBooks? To prevent digital eye strain, take regular breaks, adjust the font size and background color, and ensure proper lighting while reading eBooks. What the advantage of interactive eBooks? Interactive eBooks incorporate multimedia elements, quizzes, and activities, enhancing the reader engagement and providing a more immersive learning experience. Alexander Grinder Manual is one of the best book in our library for free trial. We provide copy of Alexander Grinder Manual in digital format, so the resources that you find are reliable. There are also many Ebooks of related with Alexander Grinder Manual. Where to download Alexander Grinder Manual online for free? Are you looking for Alexander Grinder Manual PDF? This is definitely going to save you time and cash in something you should think about.

### **Find Alexander Grinder Manual :**

[anxiety treatment techniques that really work a practical guide for therapists](#)

[\*\*antilles fran aises fran ois doumenge ebook\*\*](#)

[\*\*answers to pearson catalyst lab manual\*\*](#)

[antwoorden d toets biologie voor jou have 2](#)

[antique cannon guide english](#)

[any cartoon stories in file](#)

[answers to to kill a mocking bird activity packet](#)

[answers to quest utexas physics homework](#)

[answers to biology study guide holt](#)

**antisocial behavior in school evidence based practices**

[antenna theory and design balanis solution manual](#)

[ansys autodyn release 12 tutorial blast manual](#)

**anty ne muth marna sikhai**

[anticipation guide section 1 biology](#)

[anvers son fleuve et son port](#)

### **Alexander Grinder Manual :**

*monuments of pakistan 2016 2016 the best photos from wiki* - Jan 29 2022

web monuments of pakistan 2016 2016 the best photos from wiki loves monuments the world s largest photo competition on wikipedia wallroth sebastian on amazon com au free shipping on eligible orders

*monuments of pakistan 2016 2016 the best photos f pdf pdf* - Aug 04 2022

web monuments of pakistan 2016 2016 the best photos f pdf pdf bukuclone ortax org created date 9 2 2023 3 34 17 pm

**monuments of pakistan 2016 2016 the best photos f 2023** - Feb 27 2022

web it is your definitely own era to work reviewing habit accompanied by guides you could enjoy now is monuments of pakistan 2016 2016 the best photos f below the global connections of gandhāran art wannaporn rienjang

**buy monuments of pakistan 2016 2016 the best photos from** - Nov 07 2022

web amazon in buy monuments of pakistan 2016 2016 the best photos from wiki loves monuments the world s largest photo competition on wikipedia calvendo places book online at best prices in india on amazon in read monuments of pakistan 2016 2016 the best photos from wiki loves monuments the world s largest photo competition on

*wiki loves monuments top 10 pictures from pakistan* - May 13 2023

web oct 11 2016 the international winners of wiki loves monuments 2016 are yet to be announced but the top 10 pictures to represent pakistan as decided by pakistan s jury are below noor mahal in bahawalpur

**monuments of pakistan 2016 2016 the best photos from wiki** - Feb 10 2023

web monuments of pakistan 2016 2016 the best photos from wiki loves monuments the world s largest photo competition on wikipedia wallroth sebastian amazon sg books

**list of national monuments of pakistan wikipedia** - Oct 06 2022



web according to pakistan environmental protection agency as of october 1997 there are 10 national monuments within the country 1 an additional monument pakistan monument was built in the capital islamabad during the 2000s there are four monuments in sindh all in karachi five in punjab out of which four are in lahore and one in

[pakistan monument pictures download free images on unsplash](#) - Jan 09 2023

web monument people images pictures opera house hd grey wallpapers stairs leading lines faisal avenue e 8 faisal mosque islamabad srinagar hwy rose and jasmine garden nature images pakistan islamabd mammal architecture travelling daytime pakistan monument road hd blue wallpapers triangle islamabad capital territory infrastuture urban

**wiki loves monuments 2016 three pakistanis among winners of** - Aug 16 2023

web dec 16 2016 three pakistani photographers are among the 15 international winners of the wiki loves monuments 2016 annual photography competition announced on thursday

**most visited monuments in pakistan l famous monuments in pakistan** - Sep 05 2022

web jan 3 2023 4 three swords monument three swords monument the teen talwar three swords monument is a stunning piece of art located in the economic capital of pakistan karachi this popular monument in pakistan is the brainchild of the former president and prime minister zulfikar ali bhutto and was built in 1974

[monuments of pakistan 2016 2016 the best photos f](#) - Jul 03 2022

web about the book pakistan is one of the most beautiful countries in the world blessed with rich cultural heritage snow clad mountains meadows lush green valleys fertile plains indus river and its tributaries deserts plateau and a long coastal belt

**monuments of pakistan 2016 2016 the best photos f copy** - Dec 28 2021

web monuments chosen from around the globe retraces human history the techniques styles and philosophies necessary for the construction of so many splendours over the centuries providing a panorama of the most celebrated monuments while

**9781325101023 monuments of pakistan 2016 2016 the best photos** - Apr 12 2023

web abebooks com monuments of pakistan 2016 2016 the best photos from wiki loves monuments the world s largest photo competition on wikipedia calvendo places 9781325101023 by wallroth sebastian and a great selection of similar new used and collectible books available now at great prices

**monuments of pakistan 2016 2016 the best photos f pdf** - Mar 31 2022

web apr 26 2023 monuments of pakistan 2016 2016 the best photos f can be one of the options to accompany you taking into account having supplementary time it will not waste your time take me the e book will very heavens you new matter to read

[commons wiki loves monuments 2016 in pakistan](#) - Jun 14 2023

web wikipedia photography competition around cultural heritage of pakistan wiki loves monuments pakistan top 10 photos

organiser saqib

**pakistan monument photos and premium high res pictures** - Jul 15 2023

web browse getty images premium collection of high quality authentic pakistan monument stock photos royalty free images and pictures pakistan monument stock photos are available in a variety of sizes and formats to fit your needs

**monuments of pakistan 2016 2016 the best photos from wiki** - Dec 08 2022

web monuments of pakistan 2016 2016 the best photos from wiki loves monuments the world s largest photo competition on wikipedia 9781325101030 books amazon ca

**monuments of pakistan 2016 2016 the best photos f pdf** - Jun 02 2022

web apr 3 2023 monuments of pakistan 2016 2016 the best photos f 1 7 downloaded from uniport edu ng on april 3 2023 by guest monuments of pakistan 2016 2016 the best photos f if you ally craving such a referred monuments of pakistan 2016 2016 the best photos f books that will offer you worth get the agreed best seller from us currently from

*monuments of pakistan 2016 2016 the best photos f pdf* - May 01 2022

web monuments of pakistan 2016 2016 the best photos f 1 9 downloaded from uniport edu ng on april 9 2023 by guest monuments of pakistan 2016 2016 the best photos f thank you totally much for downloading monuments of pakistan 2016 2016 the best photos f most likely you have knowledge that people have see numerous times

**monuments of pakistan 2016 2016 the best photos from wiki** - Mar 11 2023

web monuments of pakistan 2016 2016 the best photos from wiki loves monuments the world s largest photo competition on wikipedia wallroth sebastian on amazon com au free shipping on eligible orders

**patient safety resources on incident reporting npa npa** - Sep 22 2023

web jul 26 2022 near miss log record near miss incidents a near miss is as a patient safety incident that is detected before the patient or patient s representative is handed the dispensed prescription preventing any unintended unexpected harm

**effectively using near miss records and regular pharmacy** - Jun 07 2022

web 1 1 the risks associated with providing pharmacy services are identified and managed 1 2 the safety and quality of pharmacy services are regularly reviewed and monitored 2 4 there is a culture of openness honesty and learning why this is notable practice the pharmacy has effective processes for reviewing any mistakes it makes

improving patient safety by reducing pharmacy near miss - May 18 2023

web near misses in the pharmacy may arise from any step during processing of prescriptions from keying picking to dispensing and this may potentially cause harm to patients

an audit on patient safety in a community pharmacy using datix - Oct 11 2022

web nov 30 2022 request pdf an audit on patient safety in a community pharmacy using datix reporting near misses

introduction pharmacy contractors are required to log patient safety events and report them to [patient safety incident reporting community pharmacy england](#) - Nov 12 2022

web published on 22nd July 2013 updated on 12th April 2023 since 2005 pharmacy contractors have been required to record patient safety incidents in an incident log and report these to the national reporting and learning service nrls [factsheet 8 near miss log incident reporting community pharmacy ni](#) - Jun 19 2023

web community pharmacists in northern Ireland are encouraged to report patient safety incidents and near misses occurring in their pharmacy to the primary care medicines governance team mgt anonymously i.e. no information that will identify patients or staff should be included

**completing the patient safety report community pharmacy** - Sep 10 2022

web near misses controlled drug incidents delivery incidents prescribing errors issues with transfer of care for example from hospital to community actions taken by the pharmacy in response to local errors and national patient safety alerts issued by the central alerting system as well as dispensing errors

[pharmacy team toolkit learning from incidents](#) - Aug 21 2023

web completing near miss records entries in the near miss record included identification of contributory factors and actions taken to reduce risk reporting rates were consistent they rose when pharmacy students and pre registration pharmacists commenced placements at the pharmacy as expected

[contents page ministry of health](#) - Jul 20 2023

web pharmacist pharmacy executive ministry of health members ms goh lay hong senior pharmacist tan tock seng hospital a near miss is an event or situation that could have resulted in medication error but did not either by chance or through timely intervention

**near miss error tools for pharmacists launched** - Apr 17 2023

web Aug 6 2015 pharmacists can use the redesigned near miss error log to record errors including the context of where and how these occurred there is also a guide to using the log and an updated near miss error codes table

**contributing factors to outpatient pharmacy near miss errors a** - Apr 05 2022

web Nov 30 2018 this is a prospective cross sectional study which involved detection of any medication labeling and filling errors before dispensing near misses at the outpatient pharmacy of six public funded hospitals in Penang of the north west of Malaysia

**get the free near miss log pharmacy template form pdf filler** - Mar 04 2022

web pharmacists near miss logs are valuable tools for pharmacists to track and analyze potential medication errors and other incidents that could have resulted in harm to patients 02

**pharmacy inspections gphc knowledge hub use of reflective** - Aug 09 2022

web how the pharmacy did this the company s written procedures stated that team members should log any mistakes they made during the dispensing process near misses in order to learn from them they logged any issues and regularly discussed trends and learning from these near misses

*reducing risk and managing dispensing errors* - Mar 16 2023

web dec 1 2020 a community pharmacy has committed to carrying out a periodic review using the proactive risk monitoring primo framework to be able to collect the data needed for this review the pharmacy staff reflect on problems that they encounter in the their day to day work examine incident and near miss reports

dealing with medication errors singhealth singapore general - Jan 14 2023

web mar 28 2018 last updated on 15 oct 2018 with a new medication picking system for the bowyer block pharmacy which processes more than 20 000 drug items each month safety is no longer left to chance

*5psq 115 near miss dispensing errors during working hours in* - Jul 08 2022

web background and importance errors in medication dispensing have potential to harm patients 1 up to 2 7 of dispensed medications include errors although fewer near miss data exist 2 near misses are a dispensing error detected by the checker before the patient receives the prescription 1 2 audits defined a local near miss rate in 2013

*prevalence and potential clinical significance of near miss* - May 06 2022

web nov 30 2022 to determine the frequency of near miss dispensing errors by site and review the potential clinical significance of near misses observed methods locally adapted data collection tool based on royal pharmaceutical society near miss error codes 2 was developed and piloted

**errors and near misses rps royal pharmaceutical society** - Oct 23 2023

web feb 9 2022 use this guide to help you deal with near misses and medicine errors that have reached a person that may or may not have caused harm to them our nme log and nme reflection and improvement tool can be used to support clinical governance in pharmacy and promote an open culture

**pharmacy inspections gphc knowledge hub using near miss** - Dec 13 2022

web the superintendent pharmacist si had reviewed the near miss error log over the last couple of weeks during the increased workload caused by the covid 19 pandemic and had found an increase in the number of errors

evaluating the effectiveness of electronic near miss reporting - Feb 15 2023

web near misses are reported voluntarily by staff at singapore general hospital sgh outpatient pharmacy staff reported near misses by recording on hardcopy forms that consists of multiple fields staff tended to skip near miss reporting during peak hours or when the forms were misplaced near miss

**the flying tigers bedrohung am yangtse pdf uniport edu** - Feb 08 2023

web bedrohung am yangtse richard d nolane 2010 the winds of gath e c tubb 2011 09 29 this is the tale of earl dumarest space wanderer gladiator for hire seeker of man s

*theflyingtigersbedrohungamyangtse download only* - Jul 01 2022

web the flying tigers bedrohung am yangtse pdf oye odwire the flying tigers bedrohung am yangtse 1 8 downloaded from oye odwire org on by guest the flying tigers bedrohung

**the flying tigers bedrohung am yangtse pdf uniport edu** - Dec 06 2022

web may 2 2023 flying tigers bedrohung am yangtse but end up in harmful downloads rather than reading a good book with a cup of tea in the afternoon instead they cope

**download the flying tigers bedrohung am yangtse** - May 11 2023

web the flying tigers bedrohung am yangtse veröffentlichungsdatum sprache deutsch isbn 10 2822823451 tgv digital isbn 534 8932513565 ngy schriftsteller karin

**the flying tigers bedrohung am yangtse pdf ftp popcake** - Apr 10 2023

web 2 the flying tigers bedrohung am yangtse 2023 01 20 adopt all things american he charts the losers paradoxical equation of military failure with cultural superiority as they

the flying tigers bedrohung am yangtse by felix molinari - Oct 04 2022

web the flying tigers bedrohung am yangtse by felix molinari richard d nolane the flying tigers bedrohung am yangtse felix molinari taschenbuch 12 95 the flying tigers

the flying tigers bedrohung am yangtse pdf uniport edu - Mar 09 2023

web apr 8 2023 the flying tigers bedrohung am yangtse 2 8 downloaded from uniport edu ng on april 8 2023 by guest fundamentals of court interpretation roseann

flying tiger 4 bölüm asya dizi İzle asya dizi İzle - Oct 24 2021

web aug 20 2022 sezon 4 bölüm flying tiger 4 bölüm izle keyifle izleyebileceğiniz flying tiger 4 bölüm türkçe altyazılı izle seçeneğiyle sitemizde

**the flying tigers bedrohung am yangtse build diep** - Nov 05 2022

web the flying tigers bedrohung am yangtse 1 the flying tigers bedrohung am yangtse adobe golive 5 0 dope inc britain s opium war against the world deng guoyuan

**the flying tigers bedrohung am yangtse pdf uniport edu** - Jan 07 2023

web jun 18 2023 the flying tigers bedrohung am yangtse 2 10 downloaded from uniport edu ng on june 18 2023 by guest conflict zones and voiceover current issues

**theflyingtigersbedrohungamyangtse copy nbsolutions** - Mar 29 2022

web theflyingtigersbedrohungamyangtse 1 1 downloaded from nbsolutions com on by guest

theflyingtigersbedrohungamyangtse when people should go to the book

**the flying tigers bedrohung am yangtse by felix molinari** - Aug 02 2022

web may 26 2023 this the flying tigers bedrohung am yangtse by felix molinari richard d nolane as one of the most operating sellers here will

the flying tigers bedrohung am yangtse pqr uiaf gov co - Dec 26 2021

web the flying tigers bedrohung am yangtse if you ally craving such a referred the flying tigers bedrohung am yangtse book that will pay for you worth get the unconditionally

**the flying tigers bedrohung am yangtse download only beta** - Sep 03 2022

web getting the books the flying tigers bedrohung am yangtse now is not type of challenging means you could not forlorn going bearing in mind book stock or library or

**the flying tigers bedrohung am yangtse uniport edu** - Jan 27 2022

web jul 7 2023 the flying tigers bedrohung am yangtse 1 10 downloaded from uniport edu ng on july 7 2023 by guest the flying tigers bedrohung am yangtse

**the flying tigers bedrohung am yangtse by felix molinari** - Apr 29 2022

web jun 1 2023 the flying tigers bedrohung am yangtse by felix molinari richard d nolane 44b7f7c the flying tigers bedrohung am yangtse free wunderwaffen 1 der

*flying tiger 28 bölüm asya dizi İzle asya dizi İzle* - May 31 2022

web aug 20 2022 sezon 28 bölüm flying tiger 28 bölüm izle konusuyla sevilen dizilerden flying tiger 28 bölüm türkçe altyazılı izleyin

**flying dragon leaping tiger rotten tomatoes** - Feb 25 2022

web a young warrior teams up with a horse thief to seek revenge for everything he has lost genre action original language chinese

**flying tiger 25 bölüm asya dizi İzle asya dizi İzle** - Sep 22 2021

web aug 20 2022 flying tiger 1 sezon 25 bölüm flying tiger 25 bölüm izle tek part halinde seyredebileceğiniz flying tiger 25 bölüm türkçe altyazılı olarak sizlerle

*gcd issue the flying tigers 3 bedrohung am yangtse* - Aug 14 2023

web bedrohung am yangtse table of contents 1 the flying tigers comic story 44 pages report information script

**flying tiger 22 bölüm asya dizi İzle asya dizi İzle** - Nov 24 2021

web aug 20 2022 flying tiger 22 bölüm izle tek parça halinde donmadan seyredebileceğiniz flying tiger 22 bölüm türkçe altyazılı izleyin

**flying tigers 3 bedrohung am yangtse paperback amazon com** - Jun 12 2023

web flying tigers 3 bedrohung am yangtse on amazon com free shipping on qualifying offers flying tigers 3 bedrohung am yangtse

*the flying tigers bedrohung am yangtse paperback* - Jul 13 2023

web the flying tigers bedrohung am yangtse molinari felix nolane richard d on amazon com au free shipping on eligible orders the flying tigers bedrohung