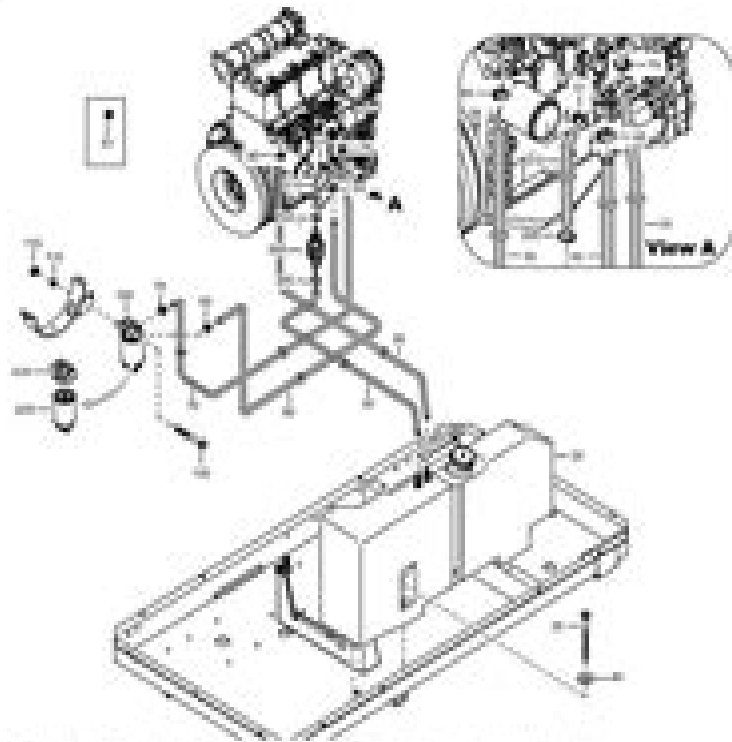


STANDARD

EXHAUSTIVE



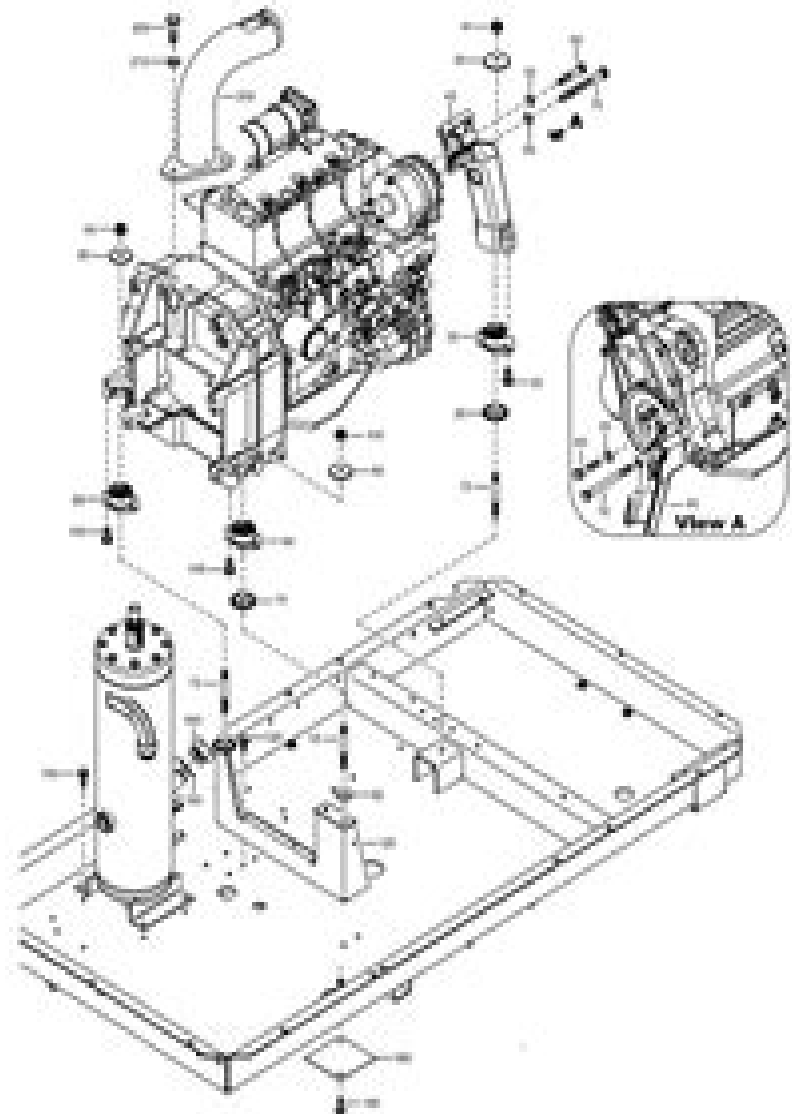
QTY	PART NUMBER	DESCRIPTION	QTY	QTY	PART NUMBER	DESCRIPTION	QTY
1	100-100-01	FUEL LINE ASSY	1	100-101-01	FUEL HOSE	1	
1	100-100-02	See page 71	1				
4	100-104-01	BLACK TUBING	1				
15	100-100-03	FUEL HOSE	15				
11	100-107-06	WIRE CLIP	11				
10	100-100-04	FUEL HOSE	10				
10	100-107-04	WIRE CLIP	10				
14	100-100-05	FUEL HOSE	14				
11	100-107-05	WIRE CLIP	11				
10	100-100-06	FUEL HOSE	10				
11	100-107-08	WIRE CLIP	11				
100	100-100-07	FUEL LINE ASSY	100				
100	100-100-08	FUEL LINE ASSY	100				
100	100-100-09	FUEL LINE	100				
100	100-100-10	RED WIRE CLIP	100				
100	100-107-09	LOCK WASHER	100				
100	100-100-11	RELEASE PIN	100				
100	100-100-12	BLACK HOSE FITTING	100				
100	100-107-10	WIRE CLIP	100				

100-100-100

100

STANDARD

ENGINE AND BASE ONLY



100

100-100-100

Atlas Copco Ssr Compressor Manual

Tao Wei



Atlas Copco Ssr Compressor Manual:

Thank you very much for downloading **Atlas Copco Ssr Compressor Manual**. Maybe you have knowledge that, people have look hundreds times for their favorite books like this Atlas Copco Ssr Compressor Manual, but end up in infectious downloads.

Rather than reading a good book with a cup of coffee in the afternoon, instead they cope with some harmful bugs inside their desktop computer.

Atlas Copco Ssr Compressor Manual is available in our book collection an online access to it is set as public so you can download it instantly.

Our book servers spans in multiple countries, allowing you to get the most less latency time to download any of our books like this one.

Kindly say, the Atlas Copco Ssr Compressor Manual is universally compatible with any devices to read

<https://stats.tinkerine.com/public/virtual-library/fetch.php/Books%20Notes%20A%20Light%20Design.pdf>

Table of Contents Atlas Copco Ssr Compressor Manual

1. Understanding the eBook Atlas Copco Ssr Compressor Manual
 - The Rise of Digital Reading Atlas Copco Ssr Compressor Manual
 - Advantages of eBooks Over Traditional Books
2. Identifying Atlas Copco Ssr Compressor Manual
 - Exploring Different Genres
 - Considering Fiction vs. Non-Fiction
 - Determining Your Reading Goals
3. Choosing the Right eBook Platform
 - Popular eBook Platforms
 - Features to Look for in an Atlas Copco Ssr Compressor Manual
 - User-Friendly Interface
4. Exploring eBook Recommendations from Atlas Copco Ssr Compressor Manual

- Personalized Recommendations
- Atlas Copco Ssr Compressor Manual User Reviews and Ratings
- Atlas Copco Ssr Compressor Manual and Bestseller Lists
- 5. Accessing Atlas Copco Ssr Compressor Manual Free and Paid eBooks
 - Atlas Copco Ssr Compressor Manual Public Domain eBooks
 - Atlas Copco Ssr Compressor Manual eBook Subscription Services
 - Atlas Copco Ssr Compressor Manual Budget-Friendly Options
- 6. Navigating Atlas Copco Ssr Compressor Manual eBook Formats
 - ePub, PDF, MOBI, and More
 - Atlas Copco Ssr Compressor Manual Compatibility with Devices
 - Atlas Copco Ssr Compressor Manual Enhanced eBook Features
- 7. Enhancing Your Reading Experience
 - Adjustable Fonts and Text Sizes of Atlas Copco Ssr Compressor Manual
 - Highlighting and Note-Taking Atlas Copco Ssr Compressor Manual
 - Interactive Elements Atlas Copco Ssr Compressor Manual
- 8. Staying Engaged with Atlas Copco Ssr Compressor Manual
 - Joining Online Reading Communities
 - Participating in Virtual Book Clubs
 - Following Authors and Publishers Atlas Copco Ssr Compressor Manual
- 9. Balancing eBooks and Physical Books Atlas Copco Ssr Compressor Manual
 - Benefits of a Digital Library
 - Creating a Diverse Reading Collection Atlas Copco Ssr Compressor Manual
- 10. Overcoming Reading Challenges
 - Dealing with Digital Eye Strain
 - Minimizing Distractions
 - Managing Screen Time
- 11. Cultivating a Reading Routine Atlas Copco Ssr Compressor Manual
 - Setting Reading Goals Atlas Copco Ssr Compressor Manual
 - Carving Out Dedicated Reading Time
- 12. Sourcing Reliable Information of Atlas Copco Ssr Compressor Manual

- Fact-Checking eBook Content of Atlas Copco Ssr Compressor Manual
 - Distinguishing Credible Sources
13. Promoting Lifelong Learning
- Utilizing eBooks for Skill Development
 - Exploring Educational eBooks
14. Embracing eBook Trends
- Integration of Multimedia Elements
 - Interactive and Gamified eBooks

Atlas Copco Ssr Compressor Manual Introduction

Free PDF Books and Manuals for Download: Unlocking Knowledge at Your Fingertips In today's fast-paced digital age, obtaining valuable knowledge has become easier than ever. Thanks to the internet, a vast array of books and manuals are now available for free download in PDF format. Whether you are a student, professional, or simply an avid reader, this treasure trove of downloadable resources offers a wealth of information, conveniently accessible anytime, anywhere. The advent of online libraries and platforms dedicated to sharing knowledge has revolutionized the way we consume information. No longer confined to physical libraries or bookstores, readers can now access an extensive collection of digital books and manuals with just a few clicks. These resources, available in PDF, Microsoft Word, and PowerPoint formats, cater to a wide range of interests, including literature, technology, science, history, and much more. One notable platform where you can explore and download free Atlas Copco Ssr Compressor Manual PDF books and manuals is the internet's largest free library. Hosted online, this catalog compiles a vast assortment of documents, making it a veritable goldmine of knowledge. With its easy-to-use website interface and customizable PDF generator, this platform offers a user-friendly experience, allowing individuals to effortlessly navigate and access the information they seek. The availability of free PDF books and manuals on this platform demonstrates its commitment to democratizing education and empowering individuals with the tools needed to succeed in their chosen fields. It allows anyone, regardless of their background or financial limitations, to expand their horizons and gain insights from experts in various disciplines. One of the most significant advantages of downloading PDF books and manuals lies in their portability. Unlike physical copies, digital books can be stored and carried on a single device, such as a tablet or smartphone, saving valuable space and weight. This convenience makes it possible for readers to have their entire library at their fingertips, whether they are commuting, traveling, or simply enjoying a lazy afternoon at home. Additionally, digital files are easily searchable, enabling readers to locate specific information within seconds. With a few keystrokes, users can search for keywords, topics, or phrases, making research and finding relevant information a breeze.

This efficiency saves time and effort, streamlining the learning process and allowing individuals to focus on extracting the information they need. Furthermore, the availability of free PDF books and manuals fosters a culture of continuous learning. By removing financial barriers, more people can access educational resources and pursue lifelong learning, contributing to personal growth and professional development. This democratization of knowledge promotes intellectual curiosity and empowers individuals to become lifelong learners, promoting progress and innovation in various fields. It is worth noting that while accessing free Atlas Copco Ssr Compressor Manual PDF books and manuals is convenient and cost-effective, it is vital to respect copyright laws and intellectual property rights. Platforms offering free downloads often operate within legal boundaries, ensuring that the materials they provide are either in the public domain or authorized for distribution. By adhering to copyright laws, users can enjoy the benefits of free access to knowledge while supporting the authors and publishers who make these resources available. In conclusion, the availability of Atlas Copco Ssr Compressor Manual free PDF books and manuals for download has revolutionized the way we access and consume knowledge. With just a few clicks, individuals can explore a vast collection of resources across different disciplines, all free of charge. This accessibility empowers individuals to become lifelong learners, contributing to personal growth, professional development, and the advancement of society as a whole. So why not unlock a world of knowledge today? Start exploring the vast sea of free PDF books and manuals waiting to be discovered right at your fingertips.

FAQs About Atlas Copco Ssr Compressor Manual Books

What is a Atlas Copco Ssr Compressor Manual PDF? A PDF (Portable Document Format) is a file format developed by Adobe that preserves the layout and formatting of a document, regardless of the software, hardware, or operating system used to view or print it. **How do I create a Atlas Copco Ssr Compressor Manual PDF?** There are several ways to create a PDF: Use software like Adobe Acrobat, Microsoft Word, or Google Docs, which often have built-in PDF creation tools. Print to PDF: Many applications and operating systems have a "Print to PDF" option that allows you to save a document as a PDF file instead of printing it on paper. Online converters: There are various online tools that can convert different file types to PDF. **How do I edit a Atlas Copco Ssr Compressor Manual PDF?** Editing a PDF can be done with software like Adobe Acrobat, which allows direct editing of text, images, and other elements within the PDF. Some free tools, like PDFescape or Smallpdf, also offer basic editing capabilities. **How do I convert a Atlas Copco Ssr Compressor Manual PDF to another file format?** There are multiple ways to convert a PDF to another format: Use online converters like Smallpdf, Zamzar, or Adobe Acrobats export feature to convert PDFs to formats like Word, Excel, JPEG, etc. Software like Adobe Acrobat, Microsoft Word, or other PDF editors may have options to export or save PDFs in different formats. **How do I password-protect a**

Atlas Copco Ssr Compressor Manual PDF? Most PDF editing software allows you to add password protection. In Adobe Acrobat, for instance, you can go to "File" -> "Properties" -> "Security" to set a password to restrict access or editing capabilities. Are there any free alternatives to Adobe Acrobat for working with PDFs? Yes, there are many free alternatives for working with PDFs, such as: LibreOffice: Offers PDF editing features. PDFsam: Allows splitting, merging, and editing PDFs. Foxit Reader: Provides basic PDF viewing and editing capabilities. How do I compress a PDF file? You can use online tools like Smallpdf, ILovePDF, or desktop software like Adobe Acrobat to compress PDF files without significant quality loss. Compression reduces the file size, making it easier to share and download. Can I fill out forms in a PDF file? Yes, most PDF viewers/editors like Adobe Acrobat, Preview (on Mac), or various online tools allow you to fill out forms in PDF files by selecting text fields and entering information. Are there any restrictions when working with PDFs? Some PDFs might have restrictions set by their creator, such as password protection, editing restrictions, or print restrictions. Breaking these restrictions might require specific software or tools, which may or may not be legal depending on the circumstances and local laws.

Find Atlas Copco Ssr Compressor Manual :

[books notes a light design](#)

[book and geronimo stilton boxed graphic novels](#)

[book of mammals volume one a-j](#)

[book music and lyrics by piers chater robinson](#)

[boost mobile davenport iowa](#)

[booktalking around the world great global reads for ages 9 14](#)

[book of mormon denver](#)

book and adjunct dilemma assessing practices campus

[book and water lilies latour marliac genius behind](#)

[book and babes arms women comics during](#)

book of memory a study of memory in medieval culture

book club discussion questions

[book and suburban chicken keeping chickens backyard](#)

boost mobile abilene tx

book and spice yourself slim wellbeing weight loss

Atlas Copco Ssr Compressor Manual :

atlas magicos ventanas magicas assetj trustcode com br - Apr 01 2023

web atlas magicos ventanas magicas downloaded from ftp popcake com by guest mccullough gianna an atlas traced by the sky open court marvelous

atlas magicos ventanas magicas uniport edu ng - May 22 2022

web atlas magicos ventanas magicas 3 3 dress your family in corduroy and denim finds one of the wittiest and most original writers at work today at the peak of his form the

atlas magicos ventanas magicas portal nivbook co il - Oct 27 2022

web editorial la tempestá aromaterapia magica aromaterapia perfume atlas mágicos de harrison james 978 84 675 0697 6 tres culturas toledo judíos magos traductores read

atlas magicos ventanas magicas store kawan equipment - Feb 16 2022

web mavi atlas e issn 2148 5232 elektronik olarak yayımlanan hakemli bir dergidir derginin amacı sosyal beşerî bilimler alanındaki tarihî birikimi özümseme bu minvâlde kuşanılan

atlas magicos ventanas magicas localimageco net - Jul 24 2022

web 2 atlas magicos ventanas magicas 2022 12 19 foreign companies reaped huge profits through their operations in latin america he explains the politics of the latin american

atlas magicos ventanas magicas a3 phasescientific com - Aug 05 2023

web atlas magicos ventanas magicas 3 3 changes required if we are to survive toffler s vision of a democratic self sustaining utopia is a brave alternative to recent grim

mavi atlas ana sayfa dergipark - Jan 18 2022

web as this atlas magicos ventanas magicas it ends up instinctive one of the favored ebook atlas magicos ventanas magicas collections that we have this is why you remain in

[atlas magicos ventanas magicas autoconfig sureoak com](#) - Dec 17 2021

web atlas mágicos ventanas mágicas by james harrison contenido cubierta el atlas esperalda prólogo 1 el sombrero de la señora lovestock 2 la venganza de la señorita crumley 3 el

atlas magicos ventanas magicas mail thekingiscoming com - Oct 07 2023

web atlas magicos ventanas magicas 3 3 experience as our story opens a horrific family tragedy sets sixteen year old jacob journeying to a remote island off the coast of

[atlas magicos ventanas magicas sql gocohospitality com](#) - Aug 25 2022

web like this atlas magicos ventanas magicas but end up in malicious downloads rather than enjoying a good book with a cup

of coffee in the afternoon instead they cope with some

explore the electromagnetic spectrum nasa space - May 02 2023

web atlas magicos ventanas magicas downloaded from assetj trustcode com br by guest kelley marshall harpercollins this wide ranging compendium traces symbolism to

atlas kıtalar denizler ve kültürler arası yolculuk rehberi - Dec 29 2022

web atlas magicos ventanas magicas pdf pages 3 24 atlas magicos ventanas magicas pdf upload donald v boyle 3 24 downloaded from isip ovcrd upd edu ph on september

atlas magicos ventanas magicas pdf 2023 isip ovcrd upd edu - Nov 27 2022

web 2 atlas magicos ventanas magicas 2023 10 03 ceremonies and magic diversion books the slower geologic processes are represented by myths associated with natural

atlas magicos ventanas magicas programma syriza gr - Sep 06 2023

web atlas magicos ventanas magicas downloaded from programma syriza gr by guest reina duke the story of art new directions publishing precious cargo tells the fascinating

atlas mágicos ventanas mágicas by james harrison - Sep 25 2022

web 4 atlas magicos ventanas magicas 2021 09 26 harpercollins this book is the first that describes the practices of any stock exchange it makes evident a high development of

atlas magicos ventanas magicas ftp popcake com - Feb 28 2023

web jan 1 1999 this book is intended for children ages 4 8 the text is in both english and spanish it won the pura belpré award for illustration in 2000 magic windows by

atlas magicos ventanas magicas demo1 woodropship com - Jun 22 2022

web aug 29 2023 merely said the atlas magicos ventanas magicas is universally compatible later any devices to read magico mundo de los celtas viviana campos 2003 07 01

atlas magicos ventanas magicas legacy realaquatics co uk - Mar 20 2022

web we provide atlas magicos ventanas magicas and numerous book collections from fictions to scientific research in any way in the middle of them is this atlas magicos

atlas magicos ventanas magicas ftp orioleresources com - Apr 20 2022

web atlas magicos ventanas magicas downloaded from legacy realaquatics co uk by guest cantu natalie 22 orphans metropolitan books te gusta viajar animate y

atlas magicos ventanas magicas - Jun 03 2023

web atlas magicos ventanas magicas una ventana magica vamos a pescar aug 31 2022 null venture into cultures oct 28 2019

contains a resource book of multicultural

atlas mágicos ventanas mágicas by james harrison - Nov 15 2021

atlas mágicos ventanas mágicas freebooks - Jul 04 2023

web dónde nace el término atlas myanmaracumen com lib pupi atlas del mundo cuenta con seis subtipos distribución en las ecorregiones brasileñas desde la amazonia

magic windows ventanas magicas by carmen lomas garza - Jan 30 2023

web Özellikler 27 5 x 37 5 cm 112 sayfa ciltli baskı ekim 2019 isbn 9786054729739 7 kıta42 Ülke52 harita37 dilde 3 milyon üzerinde okur atlas kıtalar denizler ve

printable handouts for world history the modern era c 2007 - Dec 07 2022

web unit 1 early modern times 1300 1800 chapter 1 the renaissance and reformation 1300 1650 chapter 2 the beginnings of our global age europe africa and asia 1415 1796 chapter 3 the beginnings of our global age europe and the americas 1492 1750 chapter 4 the age of absolutism 1550 1800 unit 2 enlightenment and revolution

section 1 modern era edition answer key webar ifo ee - Jul 02 2022

web section 1 modern era edition answer key a history of design from the victorian era to the present internet history sourcebooks african americans history modern era the first answer key amp detailed solutions upsc civil services china modern amp banknotes coincoin com my hrw com can you believe it s true christian

world history connections to today the modern era quizlet - Jul 14 2023

web now with expert verified solutions from world history connections to today the modern era 1st edition you ll learn how to solve your toughest homework problems our resource for world history connections to today the modern era includes answers to chapter exercises as well as detailed information to walk you through the process step by step

world history the modern era 1st edition solutions and answers - Aug 15 2023

web our resource for world history the modern era includes answers to chapter exercises as well as detailed information to walk you through the process step by step with expert solutions for thousands of practice problems you can take the guesswork out of studying and move forward with confidence

american history the modern era since 1865 1st edition quizlet - May 12 2023

web find step by step solutions and answers to american history the modern era since 1865 9780078216138 as well as thousands of textbooks so you can move forward with confidence

section 1 modern era edition answer key pdf pdf - Nov 06 2022

web pages of section 1 modern era edition answer key pdf a mesmerizing literary creation penned with a celebrated

wordsmith readers attempt an enlightening odyssey unraveling the intricate significance of language and its enduring effect on our lives in this appraisal we shall explore the

world history grade 9 12 savvas formerly pearson k12 - Jun 01 2022

web world history 2016 modern era edition request info customer login information support training savvas world history program the program bridges time tested best practices curriculum standard expectations and technology to help prepare students to be college and career ready all while bringing world history to life available in print

world history the modern era 9780133332599 quizlet - Jun 13 2023

web find step by step solutions and answers to world history the modern era 9780133332599 as well as thousands of textbooks so you can move forward with confidence

world history the modern era answer key answers fanatic - Dec 27 2021

web a simple direct to starting an original answer quiz round this information will make clear tips on how to setup and format a first reply quiz spherical this is certainly related to world history the modern era answer key

chapter 14 printable handouts of world history the modern era - Mar 30 2022

web popular textbooks world history textbooks world history the modern era 2007 chapter 14 world war i and the russian revolution 1914 1924 world war i and the russian revolution word search puzzle answer key

world history the modern era textbook answers answers for - Feb 09 2023

web world history the modern era answers answers for 2023 exams unit 1 early modern times 1300 1800 chapter 1 the renaissance and reformation 1300 1650 chapter 2 the beginnings of our global age europe africa and asia 1415 1796 chapter 3 the beginnings of our global age europe and the americas 1492 1750 chapter 4 the

meb 1 dönem türkçe tüm Örnek sorular tek dosya - Aug 03 2022

web ara meb 1 dönem türkçe tüm Örnek sorular tek dosya mustafa kafa tarafından hazırlanan örnek soruların 10 sayfada düzenlenmiş hali cevap anahtarı en son sayfada yer almaktadır lgs ile artık klasik türkçe soruları tarihe karıştı diyebiliriz pisa uyumlu sözel mantık ve çıkarım soruları ön plana çıktı görsel

read book section 1 modern era edition answer key pdf for - Oct 05 2022

web read book section 1 modern era edition answer key pdf for free math 1 answer key 4th edition 8th grade math 2nd edition answer key units 1 5 res book 1 2nd edition answer key world history student activities manual answer key stories for young readers section the second test in each chapter focuses on the student s

world history the modern world california edition quizlet - Jan 08 2023

web history world history the modern world california edition 1st edition isbn 9780131299771 anthony esler elisabeth gaynor ellis textbook solutions verified chapter 1 sources of the democratic tradition section 1 1 the greek roots of democracy

section 1 2 the roman republic and empire section 1 3 principles of judaism section 1 4

world history the modern era pearson education - Jan 28 2022

web a correlation of world history the modern era mississippi edition 2014 to the 2011 mississippi social studies framework world history from the age of enlightenment to the present 2 se student edition te teacher s edition 2011 mississippi social studies framework world history from the age of enlightenment to the present

prentice hall world history connections to today the modern era - Apr 30 2022

web sep 1 2023 this prentice hall world history connections to today the modern era online textbook companion course uses simple and fun videos to help students learn recent world history and earn a better grade

eba milli edebiyat dönemi türk romanı 21a cevapları lütfen - Feb 26 2022

web feb 26 2021 eba milli edebiyat dönemi türk romanı 21a cevapları lütfen eodev com 26 02 2021

u s and modern history answer key kolbe academy bookstore - Sep 04 2022

web history 12 u s modern history homeschool self paced contains answers for all the questions assigned in the modern era history student study guide revised 2021

amsco ap world history answer key archive org - Mar 10 2023

web apr 10 2022 topics amsco ap world amsco answer key ap world answer ap world history ap world collection opensource this is the answer key of the amsco ap world history book addeddate 2022 04 10 18 44 43

modern world history 1st edition solutions and answers quizlet - Apr 11 2023

web isbn 9780544669116 houghton mifflin harcourt textbook solutions verified chapter 1 prologue the rise of democratic ideas page 13 lesson 1 assessment page 21 lesson 2 assessment page 27 lesson 3 assessment page 35 lesson 4 assessment page 36 key terms and people page 36 main ideas page 37 critical

el club de los execrables spanish edition kindle ausgabe - Dec 28 2022

web el club de los execrables spanish edition ebook otero malcolm giménez santi amazon de kindle shop

el club de los execrables spanish edition kindle edition - Jul 23 2022

web amazon com el club de los execrables spanish edition ebook otero malcolm giménez santi kindle store

el club de los execrables spanish edition format kindle - Nov 26 2022

web achetez et téléchargez ebook el club de los execrables spanish edition boutique kindle humour amazon fr

el club de los execrables spanish edition kindle edition - Oct 26 2022

web sep 20 2018 amazon co jp el club de los execrables spanish edition ebook otero malcolm giménez santi kindle store

el club de los execrables spanish edition ebook kindle - Aug 24 2022

web compre o ebook el club de los execrables spanish edition de otero malcolm giménez santi na loja ebooks kindle encuentre

ofertas os livros mais vendidos e dicas de leitura na amazon brasil

the spanish club of ucla el club the español - Jun 21 2022

web apr 21 2021 the ucla department of spanish and portuguese is happy to announce that el club the español is now active this student space is open to all ucla the spanish club of ucla el club the español may 5th for more information please email el club de español at newuclaspanishclub gmail com join via zoom meeting

el club spanish to english translation spanishdictionary com - Apr 19 2022

web translate el club see 2 authoritative translations of el club in english with example sentences and audio pronunciations

el club de los execrables spanish edition kindle edition - May 01 2023

web el club de los execrables spanish edition ebook otero malcolm giménez santi amazon in kindle store

el club de los execrables lecturalia - Jun 02 2023

web malcolm otero y santi giménez se convierten en detectives de la historia y nos hablan de primeras espadas mundiales de las cuales no se ha contado nunca toda la verdad de una forma mordaz irónica y con brillantes golpes de ingenio y de humor componiendo un libro que arrastrará a los incondicionales del programa de radio y a un público

el club de los execrables the club of the abominables spanish edition - Jan 29 2023

web may 19 2023 el club de los execrables the club of the abominables spanish edition isbn 9788466664066 8466664068 by otero malcolm giménez santi buy sell or rent this book for the best price compare prices on bookscoouter

[el club de los execrables spanish edition kindle edition](#) - Feb 15 2022

web sep 20 2018 malcolm otero y santi giménez se convierten en detectives de la historia y nos hablan de primeras espadas mundiales de las cuales no se ha contado nunca toda la verdad de una forma mordaz irónica y con brillantes golpes de ingenio y de humor componiendo un libro que arrastrará a los incondicionales del programa de radio y a un

el club de los execrables the club of the abominables spanish edition - Sep 05 2023

web el club de los execrables the club of the abominables spanish edition tapa blanda 19 mayo 2020 edición en español de malcolm otero author santi giménez author 3 9 116 calificaciones ver todos los formatos y ediciones

9788466664066 el club de los execrables the club of the - Mar 31 2023

web abebooks com el club de los execrables the club of the abominables spanish edition 9788466664066 by otero malcolm giménez santi and a great selection of similar new used and collectible books available now at great prices

[el club de los execrables spanish edition formato kindle](#) - Sep 24 2022

web el club de los execrables spanish edition ebook otero malcolm giménez santi amazon it kindle store

[el club de los execrables the club of the abominables](#) - Aug 04 2023

web malcolm otero y santi giménez se convierten en detectives de la historia y nos hablan de primeras espadas mundiales de

las cuales no se ha contado nunca toda la verdad de una forma mordaz irónica y con brillantes golpes de ingenio y de humor componiendo un libro que arrastrará a los incondicionales del programa de radio y a un público

el club de los execrables spanish edition kindle edition - Jul 03 2023

web malcolm otero y santi giménez se convierten en detectives de la historia y nos hablan de primeras espadas mundiales de las cuales no se ha contado nunca toda la verdad de una forma mordaz irónica y con brillantes golpes de ingenio y de humor componiendo un libro que arrastrará a los incondicionales del programa de radio y a un público

el club de deportes spanish translator - Mar 19 2022

web translate el club de deportes see spanish english translations with audio pronunciations examples and word by word explanations learn spanish translation spanishdictionary com is the world s most popular spanish english dictionary translation and learning website ver en español en inglés com

el club de los execrables the club of the abominables spanish edition - Oct 06 2023

web may 19 2020 el club de los execrables the club of the abominables spanish edition paperback may 19 2020 spanish edition by malcolm otero author santi giménez author 3 9 114 ratings see all formats and editions kindle 5 99 read with our free app paperback from 20 68 5 new from 20 68

el club de los execrables the club of the abominables no - Feb 27 2023

web may 19 2020 el club de los execrables the club of the abominables no ficción spanish edition by otero malcolm giménez santi click here for the lowest price paperback 9788466664066 8466664068

[el club de spanish to english translation spanishdictionary com](#) - May 21 2022

web translate el club de see 2 authoritative translations of el club de in english with example sentences and audio pronunciations