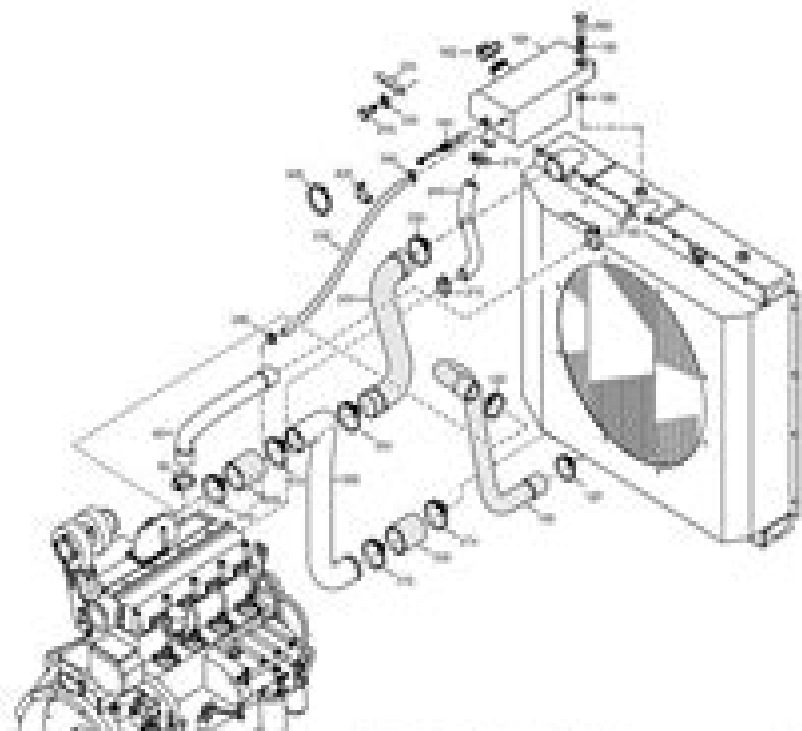


STANDARD

FRONT LOADING



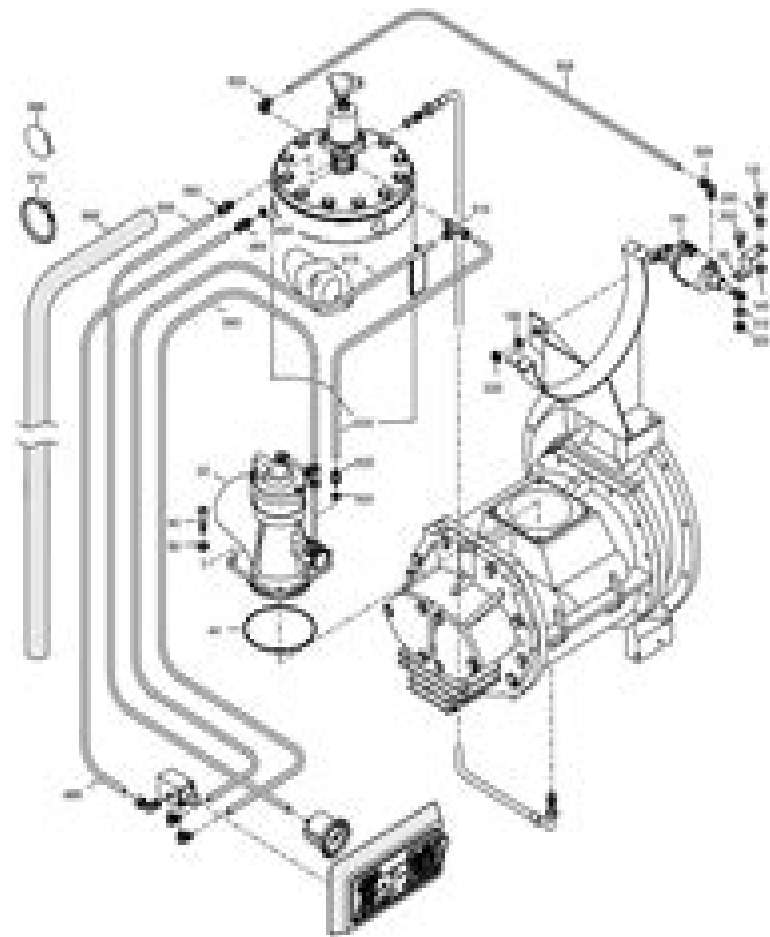
REF.	REF. NUMBER	DESCRIPTION	QTY	REF.	REF. NUMBER	DESCRIPTION	QTY
01	100 0110 01	BOX	1	30	107 010 01	WIRE CLAMP	1
02	107 010 01	WIRE CLAMP	1	31	101 000 01	BRACKET	1
03	100 0114 01	WIRE	1	32	100 100 01	CABLE TIE	1
04	107 010 01	WIRE CLAMP	1				
05	100 0100 01	TOPWALL	1				
06	101 0010 01	Adjustable Feet	4				
07	100 0100 01	LEVEL VENTIL	1				
08	100 1000 01	FLAT WASHNET	1				
09	100 0100 01	WATER INLET	1				
10	100 0100 01	BOX	1				
11	107 010 01	WIRE CLAMP	1				
12	107 010 01	WIRE CLAMP	1				
13	107 010 01	WIRE CLAMP	1				
14	107 010 01	WIRE CLAMP	1				
15	107 010 01	WIRE CLAMP	1				
16	107 010 01	WIRE CLAMP	1				
17	107 010 01	WIRE CLAMP	1				
18	107 010 01	WIRE CLAMP	1				
19	107 010 01	WIRE CLAMP	1				
20	107 010 01	WIRE CLAMP	1				
21	100 000 01	BRACKET	1				
22	075 000 01	FLAT WASH	1				
23	107 010 01	WIRE CLAMP	1				
24	100 0110 01	WIRE	1				
25	100 0100 01	BOX	1				
26	107 010 01	WIRE CLAMP	1				
27	100 0100 01	WIRE	1				
28	107 010 01	WIRE CLAMP	1				
29	100 0100 01	WIRE	1				

REF. 100 1000 01

10

STANDARD

INSULATED SYSTEM



10

REF. 100 1000 01

# Atlas Copco Generator Service Manual

**Christian G. Meyer**



**Atlas Copco Generator Service Manual:**

**Monthly Catalog of United States Government Publications** ,1990      *Monthly Catalogue, United States Public Documents* ,1990      **WHO Technical specifications for health facility based medical oxygen systems** World Health Organization,2025-01-10 The Clinical Management and Operations Unit Country Readiness Strengthening Department in collaboration with the Medical Devices and Diagnostics Unit Health Products Policy and Standards Department have developed the Technical specifications for health facility based medical oxygen systems This publication outlines minimum quality and safety standards and features of medical oxygen sources storage and distribution products that are implemented inside health facilities      **Mergent International Manual** ,2009      **Mergent Industrial Manual** ,2003      *Public Works Manual* ,1995      **Fleet Owner** ,1968      **Contractors & Engineers Magazine** ,1966-07      **International California Mining Journal** ,1996      **Regional Industrial Buying Guide** ,2000

When somebody should go to the ebook stores, search opening by shop, shelf by shelf, it is in fact problematic. This is why we give the books compilations in this website. It will definitely ease you to look guide **Atlas Copco Generator Service Manual** as you such as.

By searching the title, publisher, or authors of guide you in point of fact want, you can discover them rapidly. In the house, workplace, or perhaps in your method can be all best place within net connections. If you mean to download and install the Atlas Copco Generator Service Manual, it is completely easy then, previously currently we extend the link to purchase and make bargains to download and install Atlas Copco Generator Service Manual for that reason simple!

<https://stats.tinkerine.com/results/uploaded-files/Documents/Bonaire%20Operators%20Manual.pdf>

## **Table of Contents Atlas Copco Generator Service Manual**

1. Understanding the eBook Atlas Copco Generator Service Manual
  - The Rise of Digital Reading Atlas Copco Generator Service Manual
  - Advantages of eBooks Over Traditional Books
2. Identifying Atlas Copco Generator Service Manual
  - Exploring Different Genres
  - Considering Fiction vs. Non-Fiction
  - Determining Your Reading Goals
3. Choosing the Right eBook Platform
  - Popular eBook Platforms
  - Features to Look for in an Atlas Copco Generator Service Manual
  - User-Friendly Interface
4. Exploring eBook Recommendations from Atlas Copco Generator Service Manual
  - Personalized Recommendations
  - Atlas Copco Generator Service Manual User Reviews and Ratings
  - Atlas Copco Generator Service Manual and Bestseller Lists

5. Accessing Atlas Copco Generator Service Manual Free and Paid eBooks
  - Atlas Copco Generator Service Manual Public Domain eBooks
  - Atlas Copco Generator Service Manual eBook Subscription Services
  - Atlas Copco Generator Service Manual Budget-Friendly Options
6. Navigating Atlas Copco Generator Service Manual eBook Formats
  - ePub, PDF, MOBI, and More
  - Atlas Copco Generator Service Manual Compatibility with Devices
  - Atlas Copco Generator Service Manual Enhanced eBook Features
7. Enhancing Your Reading Experience
  - Adjustable Fonts and Text Sizes of Atlas Copco Generator Service Manual
  - Highlighting and Note-Taking Atlas Copco Generator Service Manual
  - Interactive Elements Atlas Copco Generator Service Manual
8. Staying Engaged with Atlas Copco Generator Service Manual
  - Joining Online Reading Communities
  - Participating in Virtual Book Clubs
  - Following Authors and Publishers Atlas Copco Generator Service Manual
9. Balancing eBooks and Physical Books Atlas Copco Generator Service Manual
  - Benefits of a Digital Library
  - Creating a Diverse Reading Collection Atlas Copco Generator Service Manual
10. Overcoming Reading Challenges
  - Dealing with Digital Eye Strain
  - Minimizing Distractions
  - Managing Screen Time
11. Cultivating a Reading Routine Atlas Copco Generator Service Manual
  - Setting Reading Goals Atlas Copco Generator Service Manual
  - Carving Out Dedicated Reading Time
12. Sourcing Reliable Information of Atlas Copco Generator Service Manual
  - Fact-Checking eBook Content of Atlas Copco Generator Service Manual
  - Distinguishing Credible Sources
13. Promoting Lifelong Learning

- Utilizing eBooks for Skill Development
  - Exploring Educational eBooks
14. Embracing eBook Trends
- Integration of Multimedia Elements
  - Interactive and Gamified eBooks

### **Atlas Copco Generator Service Manual Introduction**

In this digital age, the convenience of accessing information at our fingertips has become a necessity. Whether its research papers, eBooks, or user manuals, PDF files have become the preferred format for sharing and reading documents. However, the cost associated with purchasing PDF files can sometimes be a barrier for many individuals and organizations. Thankfully, there are numerous websites and platforms that allow users to download free PDF files legally. In this article, we will explore some of the best platforms to download free PDFs. One of the most popular platforms to download free PDF files is Project Gutenberg. This online library offers over 60,000 free eBooks that are in the public domain. From classic literature to historical documents, Project Gutenberg provides a wide range of PDF files that can be downloaded and enjoyed on various devices. The website is user-friendly and allows users to search for specific titles or browse through different categories. Another reliable platform for downloading Atlas Copco Generator Service Manual free PDF files is Open Library. With its vast collection of over 1 million eBooks, Open Library has something for every reader. The website offers a seamless experience by providing options to borrow or download PDF files. Users simply need to create a free account to access this treasure trove of knowledge. Open Library also allows users to contribute by uploading and sharing their own PDF files, making it a collaborative platform for book enthusiasts. For those interested in academic resources, there are websites dedicated to providing free PDFs of research papers and scientific articles. One such website is Academia.edu, which allows researchers and scholars to share their work with a global audience. Users can download PDF files of research papers, theses, and dissertations covering a wide range of subjects. Academia.edu also provides a platform for discussions and networking within the academic community. When it comes to downloading Atlas Copco Generator Service Manual free PDF files of magazines, brochures, and catalogs, Issuu is a popular choice. This digital publishing platform hosts a vast collection of publications from around the world. Users can search for specific titles or explore various categories and genres. Issuu offers a seamless reading experience with its user-friendly interface and allows users to download PDF files for offline reading. Apart from dedicated platforms, search engines also play a crucial role in finding free PDF files. Google, for instance, has an advanced search feature that allows users to filter results by file type. By specifying the file type as "PDF," users can find websites that offer free PDF downloads on a specific topic. While downloading Atlas Copco Generator Service Manual free PDF files is

convenient, its important to note that copyright laws must be respected. Always ensure that the PDF files you download are legally available for free. Many authors and publishers voluntarily provide free PDF versions of their work, but its essential to be cautious and verify the authenticity of the source before downloading Atlas Copco Generator Service Manual. In conclusion, the internet offers numerous platforms and websites that allow users to download free PDF files legally. Whether its classic literature, research papers, or magazines, there is something for everyone. The platforms mentioned in this article, such as Project Gutenberg, Open Library, Academia.edu, and Issuu, provide access to a vast collection of PDF files. However, users should always be cautious and verify the legality of the source before downloading Atlas Copco Generator Service Manual any PDF files. With these platforms, the world of PDF downloads is just a click away.

### **FAQs About Atlas Copco Generator Service Manual Books**

How do I know which eBook platform is the best for me? Finding the best eBook platform depends on your reading preferences and device compatibility. Research different platforms, read user reviews, and explore their features before making a choice. Are free eBooks of good quality? Yes, many reputable platforms offer high-quality free eBooks, including classics and public domain works. However, make sure to verify the source to ensure the eBook credibility. Can I read eBooks without an eReader? Absolutely! Most eBook platforms offer webbased readers or mobile apps that allow you to read eBooks on your computer, tablet, or smartphone. How do I avoid digital eye strain while reading eBooks? To prevent digital eye strain, take regular breaks, adjust the font size and background color, and ensure proper lighting while reading eBooks. What the advantage of interactive eBooks? Interactive eBooks incorporate multimedia elements, quizzes, and activities, enhancing the reader engagement and providing a more immersive learning experience. Atlas Copco Generator Service Manual is one of the best book in our library for free trial. We provide copy of Atlas Copco Generator Service Manual in digital format, so the resources that you find are reliable. There are also many Ebooks of related with Atlas Copco Generator Service Manual. Where to download Atlas Copco Generator Service Manual online for free? Are you looking for Atlas Copco Generator Service Manual PDF? This is definitely going to save you time and cash in something you should think about. If you trying to find then search around for online. Without a doubt there are numerous these available and many of them have the freedom. However without doubt you receive whatever you purchase. An alternate way to get ideas is always to check another Atlas Copco Generator Service Manual. This method for see exactly what may be included and adopt these ideas to your book. This site will almost certainly help you save time and effort, money and stress. If you are looking for free books then you really should consider finding to assist you try this. Several of Atlas Copco Generator Service Manual are for sale to free while some are payable. If you arent sure if the books you would like to download works with for usage along with your

computer, it is possible to download free trials. The free guides make it easy for someone to free access online library for download books to your device. You can get free download on free trial for lots of books categories. Our library is the biggest of these that have literally hundreds of thousands of different products categories represented. You will also see that there are specific sites catered to different product types or categories, brands or niches related with Atlas Copco Generator Service Manual. So depending on what exactly you are searching, you will be able to choose e books to suit your own need. Need to access completely for Campbell Biology Seventh Edition book? Access Ebook without any digging. And by having access to our ebook online or by storing it on your computer, you have convenient answers with Atlas Copco Generator Service Manual To get started finding Atlas Copco Generator Service Manual, you are right to find our website which has a comprehensive collection of books online. Our library is the biggest of these that have literally hundreds of thousands of different products represented. You will also see that there are specific sites catered to different categories or niches related with Atlas Copco Generator Service Manual So depending on what exactly you are searching, you will be able to choose ebook to suit your own need. Thank you for reading Atlas Copco Generator Service Manual. Maybe you have knowledge that, people have search numerous times for their favorite readings like this Atlas Copco Generator Service Manual, but end up in harmful downloads. Rather than reading a good book with a cup of coffee in the afternoon, instead they juggled with some harmful bugs inside their laptop. Atlas Copco Generator Service Manual is available in our book collection an online access to it is set as public so you can download it instantly. Our digital library spans in multiple locations, allowing you to get the most less latency time to download any of our books like this one. Merely said, Atlas Copco Generator Service Manual is universally compatible with any devices to read.

### **Find Atlas Copco Generator Service Manual :**

[bonaire operators manual](#)

*bombardier service manual moto marine*

[boeing 737 fmc users guide ebook free](#)

**boeing 737 aircraft operating manual**

*bolinhos tortas rosquinhas bolos receitas em*

[bolschewistische ordnung georgien kaukasischen veroffentlichungen](#)

*bonjour tristesse roman*

~~bomb run and other stories~~

*bombardier quest traxter series atv service repair workshop manual 2004*

*bonded by blood a sweetblood novel*



*boeing 767 component maintenance manual*  
*boiler operator engineering exam study guide*  
bogglesworldesl answers clothes cloze  
~~boeing 737 technical guide free~~  
*boiling and condensation nptel*

### **Atlas Copco Generator Service Manual :**

**votre temps est infini et si votre journée était plus longue que** - Jan 14 2023

web menu apple iphone ipad mac apple watch

*votre temps est infini et si votre journa c e a c download only* - Oct 23 2023

web votre temps est infini et si votre journa c e a c the journal of continuing education in nursing apr 11 2021 journal aug 28 2022 riba journal may 25 2022 un journal ce que je désire le plus vivement c est de ne pas perdre de vue que je l écris pour moi seul 2

**votre temps est infini et si votre journa c e a c full pdf** - May 06 2022

web votre temps est infini et si votre journa c e a c downloaded from eagldemo2 eagltechnology com by guest holt kamren les magnificences de la religion recueil de ce qui a été écrit de plus remarquable sur le dogme sur la morale sur le culte divin etc ou répertoire de la prédication 50minutes fr Êwe should begin the

*votre temps est infini et si votre journa c e a c copy* - Apr 05 2022

web votre temps est infini et si votre journa c e a c the delirium of praise votre temps est infini fundamental philosophy vol 2 of 2 revue de gascogne dominicales ou sermons pour les dimanches depuis l Épiphanie jusqu à l avent catéchisme de l université ou un Écolier catholique et des professeurs

*votre temps est infini et si votre journa c e a c pdf* - Dec 13 2022

web enter the realm of votre temps est infini et si votre journa c e a c a mesmerizing literary masterpiece penned by a distinguished author guiding readers on a profound journey to unravel the secrets and potential hidden within every word

*votre temps est infini et si votre journa c e a c pdf copy* - Nov 12 2022

web votre temps est infini et si votre journa c e a c pdf upload caliva o boyle 3 3 downloaded from live hubitat com on october 20 2023 by caliva o boyle votre temps est infini et si votre journa c e a c pdf enjoying the beat of phrase an mental symphony within votre temps est infini et si votre journa c e a c pdf in a world consumed by

downloadable free pdfs votre temps est infini et si votre journa c e a c - May 18 2023

web votre temps est infini et si votre journa c e a c the journal of parapsychology v6 no 4 december 1942 feb 21 2023 this is a

new release of the original 1942 edition the acid oasis the journal of adrian blackraven jan 20 2023 i started writing this in the dark behind the flicker of a candle at first it was an outlet for a lost youth a

*votre temps est infini et si votre journa c e a c* - Apr 17 2023

web *votre temps est infini et si votre journa c e a c* oeuvres des deux corneille pierre et thomas apr 27 2023 manuel des confesseurs sixième édition mar 26 2023 chronique médicale aug 19 2022 revue de gascogne aug 07 2021 memoirs of great britain and ireland pt 2 narrative 1692 1702 parts ii iv appendix no i

**votre temps est infini et si votre journa c e a c ai classmonitor** - Aug 21 2023

web *votre temps est infini et si votre journa c e a c* downloaded from ai classmonitor com by guest johnson nicole the son library of alexandria nous avons tous d une manière ou d une autre un impact sur notre environnement sur la société et sur le futur pouvant communiquer avec la planète entière chacun peut donc aujourd hui prendre des

*votre temps est infini et si votre journa c e a c* - Feb 03 2022

web fundamental philosophy complete *votre temps est infini* *votre temps est infini* résumé et analyse du livre de fabien olicard vous êtes sensible à l avenir de la planète et voulez vivre une vie pleine de sens de joie en accord avec la nature

**downloadable free pdfs votre temps est infini et si votre journa c e a c** - Dec 01 2021

web *votre temps est infini et si votre journa c e a c* the other chapters of chuang tzu dec 10 2021 the other chapters of chuang tzu this text contains the eleven other chapters of a collection of works known as the zhuangzi the title being the name of the author zhuangzi chuang tzu alongside the

**votre temps est infini et si votre journa c e a c vilhelm** - Jan 02 2022

web *temps est infini et si votre journa c e a c* but end happening in harmful downloads rather than enjoying a good book subsequently a cup of coffee in the afternoon on the other hand they juggled later some harmful virus inside their computer *votre temps est infini et si votre journa c e a c* is handy in our digital library an online access to

**ebook votre temps est infini et si votre journa c e a c** - Aug 09 2022

web *votre temps est infini et si votre journa c e a c* what do ce and bce mean timeanddate nov 04 2022 web the letters ce or bce in conjunction with a year mean after or before year 1 ce is an abbreviation for common era it means the same as ad anno domini and represents the time from year 1 and onward bce

**votre temps est infini et si votre journa c e a c 2023** - Jun 19 2023

web *votre temps est infini et si votre journa c e a c* éléments de la géométrie de l infini suite des mémoires de l académie royale des sciences par fontenelle apr 28 2021 revue roumaine de philosophie may 30 2021 grand dictionnaire universel du xixe siècle mar 16 2020 the other chapters of chuang tzu oct 03 2021

**votre temps est infini et si votre journa c e a c vilhelm aubert** - Mar 16 2023

web votre temps est infini et si votre journa c e a c getting the books votre temps est infini et si votre journa c e a c now is not type of challenging means you could not abandoned going when books increase or library or borrowing from your associates to right to use them this is an unquestionably easy means to specifically acquire guide by on

[votre temps est infini et si votre journa c e a c full pdf](#) - Sep 10 2022

web votre temps est infini et si votre journa c e a c royal and republican france oct 14 2020 revue de gascogne may 21 2021 supplementary despatches and memoranda of field marshal arthur duke of wellington k g south of france embassy to paris and congress of vienna 1814 1815 nov 07 2022 publications jan 29 2022 proceedings

**votre temps est infini et si votre journa c e a c** - Mar 04 2022

web 2 votre temps est infini et si votre journa c e a c 2022 02 17 philosophical questions are in some manner involved in that of certainty when we have completely unfolded this we have examined under one aspect or another all that human reason can conceive of god man and the universe at first sight it may

*votre temps est infini et si votre journa c e a c copy* - Jul 08 2022

web 2 votre temps est infini et si votre journa c e a c 2019 10 30 wars the rise of skywalker hounded by the first order across the galaxy the resistance is in dire need of ships weapons and recruits to make a final stand against kylo ren s forces desperation drives a delegation led by general leia

*votre temps est infini et si votre journa c e a c pdf pdf* - Feb 15 2023

web jun 19 2023 as this votre temps est infini et si votre journa c e a c pdf it ends taking place physical one of the favored book votre temps est infini et si votre journa c e a c pdf collections that we have this is why you remain in the best website to see the amazing books to have votre temps est infini et si votre journa c e a c pdf web as

*votre temps est infini et si votre journée de fabien olicard* - Jul 20 2023

web jan 9 2020 dans la lignée de tim ferriss et de sa fameuse semaine de 4 heures fabien olicard vous propose ici sa méthode pour retrouver du temps pour soi et vous accomplir véritablement conseils astuces mises en garde découvrez la panoplie de trucs que le célèbre mentaliste met à votre disposition pour devenir vous même et

**votre temps est infini mind parachutes** - Oct 11 2022

web votre est infini valeur financière de 10tre temps simplifier les décisions 1 Çf 1 autonomie liberté 5 notions m e travail pale pas togjovrs la masse de trayal pale togjllrs acaaaaa temps professionnel temps personnel o temps pour soi temps obligatoire temps perdu o title votre temps est infini author

**votre temps est infini et si votre journa c e a c** - Sep 22 2023

web votre temps est infini et si votre journa c e a c correspondance 1815 1835 feb 16 2021 publications jun 03 2022 journal des oprations diplomatiques de la lgation franaise en chine etc feb 28 2022 supplementary despatches correspondence and

memoranda of field marshal arthur duke of wellington nov 27 2021

**les différences entre les temps verbaux continus et simples en anglais** - Jun 07 2022

web il y a deux façons d'utiliser ce temps en anglais la première est pour parler d'une action qui sera en cours à un moment précis dans le futur i will be having lunch at 12 45 je serai en train de déjeuner à 12h45 ce temps est aussi plus soutenu que le simple future we will be presenting our new products at the trade show in london

3176c cat caterpillar engine machine service repair manual - Jul 13 2023

web this manual set will provide the information you need to service repair diagnose and overhaul the mechanical portion of your 3176c caterpillar engine machine 7zr this is the same manual used by caterpillar factory technicians and caterpillar dealer mechanics all our manuals are 100% guaranteed to be accurate

**caterpillar 3176b truck engine service repair manual** - Mar 29 2022

web it is an original factory manual for caterpillar which contains high quality images circuit diagrams and instructions to help you to operate skip to content my account caterpillar 3176b truck engine service repair manual quantity add to cart caterpillar 3176b truck engine service repair manual home manuals caterpillar 3176b

3176 cat caterpillar engine machine service repair manual - Jun 12 2023

web 3176 cat caterpillar engine machine service repair manual 43z it is an original factory manual for 3176 cat caterpillar engine machine service repair manual 43z contains high quality images circuit diagrams and instructions to help you to operate maintenance and service repair your machine

pdf repair manual for a 3176 caterpillar torque - May 31 2022

web readings like this repair manual for a 3176 caterpillar torque but end up in malicious downloads rather than reading a good book with a cup of coffee in the afternoon instead they cope with some infectious bugs inside their computer repair manual for a 3176 caterpillar torque is available in our digital library

**caterpillar 3176c engine machine 3pd service and repair manual** - Feb 25 2022

web description caterpillar 3176c engine machine 3pd service and repair manual table of contents disassembly assembly general service information operation maintenance safety schematics specifications system operation testing adjusting torque specifications general troubleshooting

**caterpillar 3176 engine repair manual pdf download** - Oct 04 2022

web this caterpillar 3176 engine machine workshop repair service manual pdf download provides detailed instructions diagrams and illustrations for repairs and maintenance it includes testing and adjusting troubleshooting specifications disassembly and assembly instructions

**repair manual for a 3176 caterpillar torque download only** - Jul 01 2022

web repair manual for a 3176 caterpillar torque cat 3176 diesel engine specs it still runs the caterpillar 3176 heavy duty diesel engine operation and maintenance manual 3176 caterpillar engine engine rebuild manual pdf owner repair manual for a 3176 caterpillar service manual repair manual diy auto repair manuals service

*caterpillar 3176c 3196 engines factory service shop manual* - Sep 15 2023

web jan 17 2019 this caterpillar 3176c 3196 engines service repair manual including maintenance overhaul disassembling assembling adjustment tune up operation inspecting diagnostic troubleshooting is divided into different sections each section covers a specific component or system with detailed illustrations

**3176 diesel truck engine disassembly assembly caterpillar** - Apr 29 2022

web home caterpillar disassembly and assembly senr51090027 3176 diesel truck engine disassembly assembly caterpillar speed timing sensor usage 1 remove clamp bolt 1 and disconnect connector 2 2 remove speed timing sensor 3 note the following steps are for the installation of the speed timing sensor

caterpillar 3176c industrial engine full complete service repair manual - Mar 09 2023

web oct 31 2023 caterpillar 3176c industrial engine service repair manual it is complete original factory for caterpillar 3176c industrial engine covers all the service and repair information about caterpillar 3176c industrial engine the information in this manual covers everything you need to know when you want to service

**repair manual for a 3176 caterpillar torque** - Oct 16 2023

web repair manual for a 3176 caterpillar torque youtube this feature is not available right now please try again later repair manual for a 3176 caterpillar torque youtube april 24th 2018 how to set injector height on c10 c11 c12 c13 and some c15 cat engines duration 10 19 adept ape 41 743 views

3176 cat caterpillar engine machine service repair manual 43z - Nov 05 2022

web 3176 cat caterpillar engine machine service repair manual 43z 3176 cat caterpillar engine machine service repair manual 43z download pdf instant download skip to content 99 of all orders are sent within 24 hours 10 off on first order use code

**cat 3176c engine machine repair service manual** - Aug 14 2023

web the 3176c cat caterpillar engine machine service repair manual 7zr provides comprehensive instructions for service repair and workshop use this file download offers an efficient and reliable solution manuallabs com

*caterpillar cat 3176 prefix 43z engine machine service manual* - Dec 06 2022

web quality manuals caterpillar cat 3176 prefix 43z engine machine service manual 39 90 130 00 add to cart caterpillar cat 3176 prefix 43z engine machine service manual it is complete original factory for caterpillar 3176 engine machine covers all the service and repair information about caterpillar 3176 engine machine

**caterpillar 3176 truck engine 7lg service and repair manual** - Feb 08 2023

web caterpillar 3176 truck engine 7lg service and repair manual table of contents disassembly assembly general service information operation maintenance safety schematics specifications system operation testing adjusting torque specifications general troubleshooting some table of contents may not apply to this specific mode

**caterpillar 3176c engine machine 3ag service and repair manual** - Apr 10 2023

web description caterpillar 3176c engine machine 3ag service and repair manual table of contents disassembly assembly general service information operation maintenance safety schematics specifications system operation testing adjusting torque specifications general troubleshooting

**repair manual for a 3176 caterpillar torque jerry korn** - Sep 03 2022

web you could purchase lead repair manual for a 3176 caterpillar torque or get it as soon as feasible you could quickly download this repair manual for a 3176 caterpillar torque after getting deal so behind you require the book swiftly you can straight acquire it

caterpillar 3176b industrial engine workshop repair service manual - Aug 02 2022

web this caterpillar 3176b industrial engine workshop repair service manual pdf download provides detailed instructions diagrams and illustrations for troubleshooting and servicing your engine it includes testing and adjusting troubleshooting specifications disassembly and assembly instructions

**caterpillar cat 3176c prefix 7zr engine machine service manual** - Jan 07 2023

web the information in this manual covers everything you need to know when you want to service and repair caterpillar 3176c engine machine models covered caterpillar 3176c engine machine manual cover caterpillar 3176c engine machine general service information caterpillar 3176c engine machine disassembly and

**caterpillar 3176 engine machine 43z service and repair manual** - May 11 2023

web caterpillar 3176 engine machine 43z service and repair manual 0 89 99 add to cart description size guide caterpillar 3176 engine machine 43z service and repair manual caterpillar service and repair manuals provide you all the detail required to maintain and repair your heavy machinery

**tkp pengertian jenis tes contoh soal quipper blog** - Jun 14 2023

web jun 23 2021 tes karakteristik pribadi adalah tes yang digunakan untuk melihat karakteristik seseorang meliputi potensi integritas cara menyelesaikan suatu permasalahan kesabaran dan lainnya itu artinya tes ini menekankan pada uji karakteristik seseorang dari aspek kognitif dan emosi

84 soal tkp cpns 2023 dan kunci jawabannya contoh tes karakteristik - Jan 29 2022

web jul 15 2023 tes karakteristik pribadi seperti soal tkp cpns 2023 dan kunci jawabannya contoh tes karakteristik pribadi

tkp ini adalah tes yang digunakan untuk melihat karakteristik seseorang meliputi potensi integritas cara menyelesaikan suatu permasalahan kesabaran dan lainnya

**tes karakteristik pribadi tkp belajarbro** - Jan 09 2023

web tes karakteristik pribadi tkp dimaksudkan untuk menilai pelayanan publik jejaring kerja sosial budaya teknologi informasi dan komunikasi dan profesionalisme

*tes kepribadian psikologi online gratis 100 akurat* - Jul 15 2023

web karena kepribadian adalah dasar dari pembentukan karakter seseorang dan pada bagian inilah seseorang memiliki kecenderungan untuk merespon terhadap segala sesuatunya pada tes kepribadian ini tipe kepribadian manusia dibagi menjadi 4 macam yaitu koleris sanguinis plegmatis dan melankolis

cpns tes karakteristik pribadi tkp nsd co id - Oct 06 2022

web tkp tes karakteristik pribadi adalah tes yang mengungkap kepribadian yang mencari kecocokan antara calon pegawai negeri sipil dengan pekerjaan yang akan diembannya tes ini terdiri dari 20 soal semakin cocok anda dengan karakteristik jabatan yang ditawarkan semakin besar kemungkinan anda lolos pada tes ini

*soal tes karakteristik pribadi tkp beserta penyelesaiannya* - Feb 10 2023

web tes karakteristik pribadi tkp dahulu disebut tes skala kematangan tsk mature test tkp memiliki 11 sebelas kriteria atau ukuran yang menjadi dasar penilaian atau penetapan sesuatu yang berkaitan dengan pribadi peserta yang akan diuji dites agar diperoleh calon mahasiswa cpns yang berkualitas

**Ücretsiz kişilik testi tip tarifleri ilişkiler ve kariyer önerileri** - Nov 07 2022

web okuyucularımız 16personalities testi o kadar çok kesin ki bu biraz korkutucu diyorlar kim olduğunuz ve meselere yaklaşım biçiminiz konusunda kesin ve konsantre bir tarif alın teste girin

*kumpulan materi tes karakteristik pribadi tkp skd cpns* - Sep 05 2022

web apr 10 2021 berikut daftar kumpulan materi tes karakteristik pribadi materi tkp pelayanan publik tes skd cpns materi tkp jejaring kerja tes skd cpns materi tkp sosial budaya tes skd cpns materi tkp teknologi informasi dan komunikasi tes skd cpns materi tkp profesionalisme

kişilik profili testine göre hangi karakter grubunda yer onedio - Dec 08 2022

web may 25 2019 kişilik profili testine göre hangi karakter grubunda yer alıyorsun florence littauer in bilimsel kişilik profili testi kitabında kişiliğinizi tanıyın karakterler dört ana gruba ayrılıyor bakalım sen kişilik özelliklerine göre

perbedaan skd skb twk dan tes lainnya lengkap dengan - May 01 2022

web 1 day ago tes karakteristik pribadi merupakan tes yang melihat karakter seseorang seperti potensi kejujuran pemecahan masalah kesabaran dan lain lain artinya tes ini fokus pada pengujian karakter seseorang berdasarkan aspek

kognitif dan emosionalnya setiap soal terdiri dari lima pilihan ganda bedanya tidak ada jawaban yang benar dan  
35 soal tes karakteristik pribadi tkp beserta - Feb 27 2022

web 35 soal tes karakteristik pribadi tkp beserta kunci jawabannya tes karakteristik pribadi saat sedang bekerja mendadak salah satu keluarga saya menelepon dan meminta bantuan yang saya lakukan

**kisi kisi dan contoh soal tes karakteristik pribadi tkp skd** - Aug 04 2022

web aug 13 2021 simulasi cat kisi kisi dan contoh soal tes karakteristik pribadi tkp skd cpns 2021 dilengkap pembahasannya serambinews com berikut kisi kisi dan contoh soal tes karakteristik pribadi tkp

hal hal yang di nilai pada saat tes karakteristik pribadi beserta - Jun 02 2022

web tkp atau tes karakteristik pribadi merupakan salah satu bentuk tes psikotest yang digunakan untuk mengukur potensi diri kamu dalam hal integritas kamu dan keyakinan kamu serta apakah pendirian kamu mudah berubah atau tidak tes

karakteristik pribadi atau sering disingkat tkp bukan lagi hal yang tabu

materi skd cpns 2023 ini kisi kisi dan passing gradenya - Dec 28 2021

web sep 15 2023 materi pada tes skd cpns terdiri dari tiga bidang yaitu tes wawasan kebangsaan twk tes intelegensia umum tiu dan tes karakteristik pribadi tkp untuk mengetahui kisi kisi materi skd cpns 2023 dan info lainnya simak uraian di bawah ini sekilas tentang skd cpns 2023

**tes kepribadian gratis 16personalities** - Aug 16 2023

web tes kepribadian gratis memerlukan waktu kurang dari 12 menit jawab dengan jujur bahkan jika anda tidak menyukai jawabannya cobalah untuk tidak memilih jawaban netral anda merasa kesulitan memperkenalkan diri ke orang lain anda sering tenggelam dalam pikiran sehingga anda mengabaikan atau melupakan sekeliling anda

**psikotes online tes psikologi kepribadian dan iq gratis golife** - May 13 2023

web tes psikologi kami dirancang untuk mengeksplorasi diri agar mengetahui karakter dan potensi diri psikotes online terbaik di indonesia psikotes atau tes psikologi adalah evaluasi tertulis visual atau verbal yang diberikan untuk menilai fungsi kognitif dan emosional anak anak hingga orang dewasa

tes karakteristik pribadi cpns apa yang diuji kompas com - Apr 12 2023

web jul 30 2021 kompas com para pelamar seleksi calon pegawai negeri sipil cpns yang lolos seleksi administrasi akan mengikuti seleksi kompetensi dasar skd ada tiga tes yang diujikan dalam skd yaitu tes wawasan kebangsaan twk tes intelegensia umum tiu dan tes karakteristik pribadi tkp

35 contoh soal tes karakter pribadi tkp beserta kunci jawaban - Jul 03 2022

web 35 contoh soal tes karakter pribadi tkp beserta kunci jawaban bingkaiberita com banyak diantara para pelamar cpns terkecoh dengan soal tes kompetensi kepribadian yang memang memiliki nilai dari 1 sampai dengan 5 dan para pelamar



harus memiliki target nilai lebih dari 80 pertanyaan dengan kata lain harus mendapatkan nilai minimal 140

*rangkuman materi tkp tes karakteristik pribadi dan contoh soal* - Mar 31 2022

web materi tkp tes karakteristik pribadi dan contoh soal cpns 2021 lengkap contoh soal tes karakteristik pribadi tkp lengkap dengan kunci jawabannya di tulisan sebelumnya saya sudah membagikan beberapa contoh soal tes karakteristik pribadi tkp dan dilengkapi dengan kunci jawabannya silahkan baca disini

**karakter testleri kisiligim com** - Mar 11 2023

web karakter kişiye özgü davranışların bütünüdür karakter aile okul ve çevre içince biçimlenmeyle başlar yani bir yönüyle de çevrenin verdiği bir değerdir dolayısıyla karakter testleri sosyal ortamın etkisiyle biçimlenen karakter yapısını çeşitli soru ve cevap seçenekleriyle ortaya çıkarma yöntemidir karakter