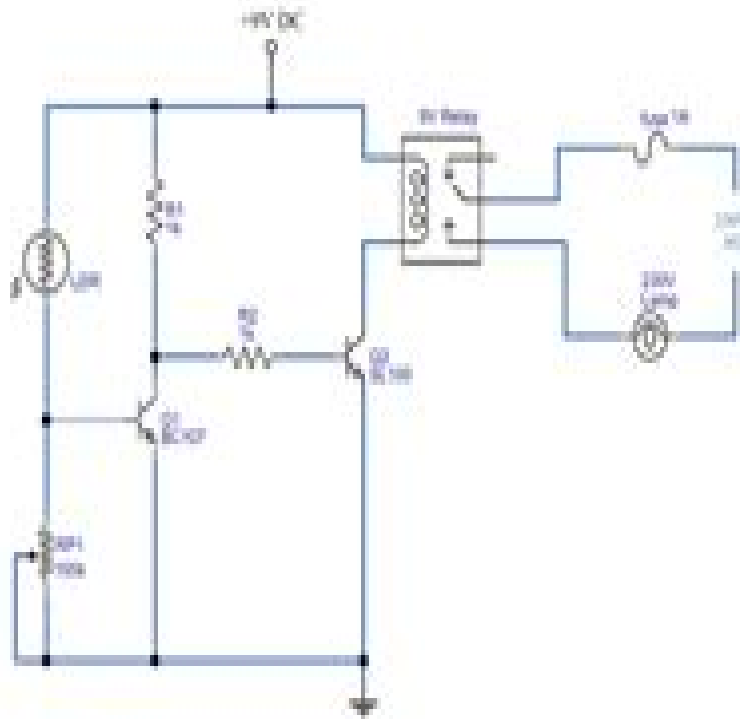


Automatic Street Light



Automatic Street Light Control System Project

**V. Sharmila,S. Kannadhasan,A. Rajiv
Kannan,P. Sivakumar,V. Vennila**

Automatic Street Light Control System Project:

STUDY OF AUTOMATIC SOLAR STREET LIGHT Mr.P.Sai Niranjana Kumar,

Smart Intelligent Computing and Applications Suresh Chandra Satapathy, Vikrant Bhateja, J. R. Mohanty, Siba K. Udgata, 2019-10-03 This book presents high quality papers from the Third International Conference on Smart Computing and Informatics SCI 2018 19 organized by the School of Computer Engineering and School of Computer Application Kalinga Institute of Industrial Technology Deemed to be University Bhubaneswar from 21 to 22 December 2018 It includes advanced and multi disciplinary research on the design of smart computing and informatics focusing on innovation paradigms in system knowledge intelligence and sustainability that have the potential to provide realistic solutions to various problems in society the environment and industry The papers featured provide a valuable contribution to the deployment of emerging computational and knowledge transfer approaches optimizing solutions in varied disciplines of science technology and health care

Advances in Energy Technology Ramesh C. Bansal, Anshul Agarwal, Vinay Kumar Jadoun, 2021-07-27 This book presents select proceedings of International Conference on Energy Material Sciences and Mechanical Engineering EMSME 2020 held at National Institute of Technology Delhi Various topics covered in this book include clean materials solar energy systems wind energy systems power optimization grid integration of renewable energy smart energy storage technologies artificial intelligence in solar and wind system analysis of clean energy material in environment converter topology modelling and simulation This book will be useful for researchers and professionals working in the areas of solar material science electrical engineering and energy technologies

Third Street Light Rail Project, Transportation Improvements, San Francisco, 1998

Challenges in Information, Communication and Computing Technology V. Sharmila, S. Kannadhasan, A. Rajiv Kannan, P. Sivakumar, V. Vennila, 2024-12-10 This book explores the critical challenges and emerging trends in Information Communication and Computing Technology ICCT It provides a comprehensive overview of the key issues facing these rapidly evolving fields from data security and privacy to advancements in artificial intelligence communication networks and quantum computing Through in depth analysis and expert perspectives this volume aims to shed light on the complexities of ICCT and offer innovative solutions for researchers practitioners and students Building on its exploration of challenges in ICCT this book delves into several core areas These include the development and deployment of secure and efficient communication networks the ethical implications and technical hurdles of artificial intelligence and machine learning and the promise and complexity of quantum computing The book also addresses the management of big data highlighting both its potential and the challenges of ensuring data privacy and security Additionally it examines the role of sustainability in computing advocating for greener technologies and practices The findings presented in this volume emphasize the need for interdisciplinary approaches and innovative thinking to address these challenges offering insights that are both practical and forward looking This book is intended for a diverse audience that includes researchers practitioners and students in the fields

of Information Communication and Computing Technology ICCT It is particularly valuable for academics and professionals seeking to deepen their understanding of current challenges and emerging trends in these areas Additionally policymakers industry leaders and technologists will find the book s insights useful for informing decisions and strategies in the development and implementation of advanced technologies Whether you are a seasoned expert or a newcomer to the field this book provides valuable perspectives that can enhance your knowledge and contribute to your work in ICCT The Open Access version of this book available at <http://www.taylorfrancis.com> has been made available under a Creative Commons Attribution Non Commercial No Derivatives CC BY NC ND 4 0 license

Information Security Handbook Noor Zaman Jhanjhi,Khalid Hussain,Mamoonah Humayun,Azween Bin Abdullah,João Manuel R.S. Tavares,2022-02-17 This handbook provides a comprehensive collection of knowledge for emerging multidisciplinary research areas such as cybersecurity IoT Blockchain Machine Learning Data Science and AI This book brings together in one resource information security across multiple domains Information Security Handbook addresses the knowledge for emerging multidisciplinary research It explores basic and high level concepts and serves as a manual for industry while also helping beginners to understand both basic and advanced aspects in security related issues The handbook explores security and privacy issues through the IoT ecosystem and implications to the real world and at the same time explains the concepts of IoT related technologies trends and future directions University graduates and postgraduates as well as research scholars developers and end users will find this handbook very useful

Intelligent Systems and Applications Kohei Arai,Supriya Kapoor,Rahul Bhatia,2018-11-08 Gathering the Proceedings of the 2018 Intelligent Systems Conference IntelliSys 2018 this book offers a remarkable collection of chapters covering a wide range of topics in intelligent systems and computing and their real world applications The Conference attracted a total of 568 submissions from pioneering researchers scientists industrial engineers and students from all around the world These submissions underwent a double blind peer review process after which 194 including 13 poster papers were selected to be included in these proceedings As intelligent systems continue to replace and sometimes outperform human intelligence in decision making processes they have made it possible to tackle many problems more effectively This branching out of computational intelligence in several directions and the use of intelligent systems in everyday applications have created the need for such an international conference which serves as a venue for reporting on cutting edge innovations and developments This book collects both theory and application based chapters on all aspects of artificial intelligence from classical to intelligent scope Readers are sure to find the book both interesting and valuable as it presents state of the art intelligent methods and techniques for solving real world problems along with a vision of future research directions

Energy Efficiency and Sustainable Lighting Manuel J. Hermoso-Orzáez,Alfonso Gago-Calderón,2020-03-25 The lighting of both exteriors and interiors is a field within electrical and lighting engineering where important technological changes have been taking place oriented towards environmental sustainability and energy

efficiency LED technology has been gradually gaining ground in the world of lighting over other technologies due to its high lighting and energy efficiency and savings However some problems related to overheating or associated regulation are emerging This has prompted the search for new more efficient and sustainable forms of lighting This book presents successful cases related to energy efficiency and lighting that may be of great interest to those trying to enter the world of scientific research *Intelligent Communication, Control and Devices* Rajesh Singh, Sushabhan Choudhury, Anita Gehlot, 2018-04-10 The book focuses on the integration of intelligent communication systems control systems and devices related to all aspects of engineering and sciences It contains high quality research papers presented at the 2nd international conference ICICCD 2017 organized by the Department of Electronics Instrumentation and Control Engineering of University of Petroleum and Energy Studies Dehradun on 15 and 16 April 2017 The volume broadly covers recent advances of intelligent communication intelligent control and intelligent devices The work presented in this book is original research work findings and practical development experiences of researchers academicians scientists and industrial practitioners

Effective AI, Blockchain, and E-Governance Applications for Knowledge Discovery and Management Kumar, Rajeev, Abdul Hamid, Abu Bakar, Binti Ya'akub, Noor Inayah, 2023-09-25 Emerging technologies have become both crucibles and showrooms for the practical application of artificial intelligence the internet of things and cloud computing and for integrating big data into everyday life Is the digital world optimized and sustainable using intelligence systems machine learning and cyber security methods This complex concoction of challenges requires new thinking of the synergistic utilization of intelligence systems machine learning deep learning and blockchain methods data driven decision making with automation infrastructure autonomous transportation and connected buildings *Effective AI Blockchain and E Governance Applications for Knowledge Discovery and Management* provides a global perspective on current and future trends concerning the integration of intelligent systems with cybersecurity applications including recent advances and challenges related to the concerns of security and privacy issues in deep learning with an emphasis on the current state of the art methods methodologies and implementation attacks and countermeasures The book also discusses the challenges that need to be addressed for implementing DL based security mechanisms that should have the capability of collecting or distributing data across several applications Topics covered include skill development and tools for intelligence systems deep learning machine learning blockchain IoT cloud computing data ethics and infrastructure It is ideal for independent researchers research scholars scientists libraries industry experts academic students business associations communication and marketing agencies entrepreneurs and all potential audiences with a specific interest in these topics

Ignite the flame of optimism with Crafted by is motivational masterpiece, Find Positivity in **Automatic Street Light Control System Project** . In a downloadable PDF format (Download in PDF: *), this ebook is a beacon of encouragement. Download now and let the words propel you towards a brighter, more motivated tomorrow.

https://stats.tinkerine.com/book/scholarship/Documents/Board_Member_Orientation_The_Concise_And_Complete_Guide_To_Nonprofit_Board_Service.pdf

Table of Contents Automatic Street Light Control System Project

1. Understanding the eBook Automatic Street Light Control System Project
 - The Rise of Digital Reading Automatic Street Light Control System Project
 - Advantages of eBooks Over Traditional Books
2. Identifying Automatic Street Light Control System Project
 - Exploring Different Genres
 - Considering Fiction vs. Non-Fiction
 - Determining Your Reading Goals
3. Choosing the Right eBook Platform
 - Popular eBook Platforms
 - Features to Look for in an Automatic Street Light Control System Project
 - User-Friendly Interface
4. Exploring eBook Recommendations from Automatic Street Light Control System Project
 - Personalized Recommendations
 - Automatic Street Light Control System Project User Reviews and Ratings
 - Automatic Street Light Control System Project and Bestseller Lists
5. Accessing Automatic Street Light Control System Project Free and Paid eBooks
 - Automatic Street Light Control System Project Public Domain eBooks
 - Automatic Street Light Control System Project eBook Subscription Services
 - Automatic Street Light Control System Project Budget-Friendly Options

6. Navigating Automatic Street Light Control System Project eBook Formats
 - ePub, PDF, MOBI, and More
 - Automatic Street Light Control System Project Compatibility with Devices
 - Automatic Street Light Control System Project Enhanced eBook Features
7. Enhancing Your Reading Experience
 - Adjustable Fonts and Text Sizes of Automatic Street Light Control System Project
 - Highlighting and Note-Taking Automatic Street Light Control System Project
 - Interactive Elements Automatic Street Light Control System Project
8. Staying Engaged with Automatic Street Light Control System Project
 - Joining Online Reading Communities
 - Participating in Virtual Book Clubs
 - Following Authors and Publishers Automatic Street Light Control System Project
9. Balancing eBooks and Physical Books Automatic Street Light Control System Project
 - Benefits of a Digital Library
 - Creating a Diverse Reading Collection Automatic Street Light Control System Project
10. Overcoming Reading Challenges
 - Dealing with Digital Eye Strain
 - Minimizing Distractions
 - Managing Screen Time
11. Cultivating a Reading Routine Automatic Street Light Control System Project
 - Setting Reading Goals Automatic Street Light Control System Project
 - Carving Out Dedicated Reading Time
12. Sourcing Reliable Information of Automatic Street Light Control System Project
 - Fact-Checking eBook Content of Automatic Street Light Control System Project
 - Distinguishing Credible Sources
13. Promoting Lifelong Learning
 - Utilizing eBooks for Skill Development
 - Exploring Educational eBooks
14. Embracing eBook Trends
 - Integration of Multimedia Elements

- Interactive and Gamified eBooks

Automatic Street Light Control System Project Introduction

In this digital age, the convenience of accessing information at our fingertips has become a necessity. Whether its research papers, eBooks, or user manuals, PDF files have become the preferred format for sharing and reading documents. However, the cost associated with purchasing PDF files can sometimes be a barrier for many individuals and organizations. Thankfully, there are numerous websites and platforms that allow users to download free PDF files legally. In this article, we will explore some of the best platforms to download free PDFs. One of the most popular platforms to download free PDF files is Project Gutenberg. This online library offers over 60,000 free eBooks that are in the public domain. From classic literature to historical documents, Project Gutenberg provides a wide range of PDF files that can be downloaded and enjoyed on various devices. The website is user-friendly and allows users to search for specific titles or browse through different categories. Another reliable platform for downloading Automatic Street Light Control System Project free PDF files is Open Library. With its vast collection of over 1 million eBooks, Open Library has something for every reader. The website offers a seamless experience by providing options to borrow or download PDF files. Users simply need to create a free account to access this treasure trove of knowledge. Open Library also allows users to contribute by uploading and sharing their own PDF files, making it a collaborative platform for book enthusiasts. For those interested in academic resources, there are websites dedicated to providing free PDFs of research papers and scientific articles. One such website is Academia.edu, which allows researchers and scholars to share their work with a global audience. Users can download PDF files of research papers, theses, and dissertations covering a wide range of subjects. Academia.edu also provides a platform for discussions and networking within the academic community. When it comes to downloading Automatic Street Light Control System Project free PDF files of magazines, brochures, and catalogs, Issuu is a popular choice. This digital publishing platform hosts a vast collection of publications from around the world. Users can search for specific titles or explore various categories and genres. Issuu offers a seamless reading experience with its user-friendly interface and allows users to download PDF files for offline reading. Apart from dedicated platforms, search engines also play a crucial role in finding free PDF files. Google, for instance, has an advanced search feature that allows users to filter results by file type. By specifying the file type as "PDF," users can find websites that offer free PDF downloads on a specific topic. While downloading Automatic Street Light Control System Project free PDF files is convenient, its important to note that copyright laws must be respected. Always ensure that the PDF files you download are legally available for free. Many authors and publishers voluntarily provide free PDF versions of their work, but its essential to be cautious and verify the authenticity of the source before downloading Automatic Street Light Control System Project. In conclusion, the internet offers numerous platforms and websites that allow users to

download free PDF files legally. Whether its classic literature, research papers, or magazines, there is something for everyone. The platforms mentioned in this article, such as Project Gutenberg, Open Library, Academia.edu, and Issuu, provide access to a vast collection of PDF files. However, users should always be cautious and verify the legality of the source before downloading Automatic Street Light Control System Project any PDF files. With these platforms, the world of PDF downloads is just a click away.

FAQs About Automatic Street Light Control System Project Books

How do I know which eBook platform is the best for me? Finding the best eBook platform depends on your reading preferences and device compatibility. Research different platforms, read user reviews, and explore their features before making a choice. Are free eBooks of good quality? Yes, many reputable platforms offer high-quality free eBooks, including classics and public domain works. However, make sure to verify the source to ensure the eBook credibility. Can I read eBooks without an eReader? Absolutely! Most eBook platforms offer web-based readers or mobile apps that allow you to read eBooks on your computer, tablet, or smartphone. How do I avoid digital eye strain while reading eBooks? To prevent digital eye strain, take regular breaks, adjust the font size and background color, and ensure proper lighting while reading eBooks. What the advantage of interactive eBooks? Interactive eBooks incorporate multimedia elements, quizzes, and activities, enhancing the reader engagement and providing a more immersive learning experience. Automatic Street Light Control System Project is one of the best book in our library for free trial. We provide copy of Automatic Street Light Control System Project in digital format, so the resources that you find are reliable. There are also many Ebooks of related with Automatic Street Light Control System Project. Where to download Automatic Street Light Control System Project online for free? Are you looking for Automatic Street Light Control System Project PDF? This is definitely going to save you time and cash in something you should think about.

Find Automatic Street Light Control System Project :

[board member orientation the concise and complete guide to nonprofit board service](#)

[bobcat zt 100 owners manual](#)

[bobcat 331 owners manual](#)

[bobcat 743 repair manual](#)

[bobcat v518 service manual](#)

bobcat s205 service manuals

bmw z3 1997 manual

bmw x5 2004 problems

bob the devil worshipper learns the true meaning of christmas

bmw x3 cd radio manual

bobcat compact track loader t200 service manual 518915001 517515001

~~boe study guide~~

bobcat 773 advantage series manual

bobcat e42 manual

~~body guard manual~~

Automatic Street Light Control System Project :

sansui au 519 integrated stereo amplifier manual hifi engine - Nov 12 2022

web nov 4 2011 sansui au 719 recap and restoration by pete mac november 2 2011 in stereo amplifiers pre amps share followers 0 1 2 3 4 next page 1 of 4 pete mac

sansui au 719 hifi wiki com - May 18 2023

web specifications power output 70 watts per channel into 8Ω stereo frequency response 20hz to 20khz total harmonic distortion 0 008 damping factor 100 input sensitivity

sansui au 719 specs manual images hifi - Jun 19 2023

web you are bidding on a sansui au 719 integrated amplifier pro serviced fully recapped with banana connectors in backexcellent cosmetic conditionpro

sansui au 719 integrated amplifier works perfect - Jan 02 2022

upgrade from a sansui au 719 stereophile com - Sep 22 2023

web dec 14 2022 extended bass without that artificial boom a deep and clear midrange and nice resolution in the treble the au 719 does not have any pre out capability as on the

sansui au 719 owners manual free audio service - Feb 15 2023

web description the au 717 amplifier incorporates an advanced design feature which has extremely low inherent transient intermodulation distortion enabling negative feedback

sansui au 719 recap and restoration stereo amplifiers pre - May 06 2022

sansui au 719 stereo integrated amplifier fully - Mar 16 2023

web sansui au 719 au 717 bundle reverb price drop sansui au x111 mos vintage used poor 888 88 193 88 price drop 695 add to cart price drop sansui au g99x

sansui au 719 stereo integrated amplifier manual hifi - Oct 23 2023

web may 23 2018 may 28 2018 3 43pm commsysman offline last seen 1 year 11 months ago joined apr 4 2006 11 33am amplifiers i recommend that you get the musical

sansui au 719 stereo integrated amplifier initial evaluation and - Jan 14 2023

web with this manual you ll learn how to set up and use your sansui au 719 the manual describes functions of au 719 tells how to use it correctly and includes instructions on

sansui au 719 au 717 bundle reverb - Sep 10 2022

web sansui au 819 stereo integrated amplifier manual hifi engine manual library sansui sansui au 819 stereo integrated amplifier 1979 2 reviews specifications power

manual au719 sansui free download borrow and - Jun 07 2022

sansui au 719 audiogon bluebook - Apr 17 2023

web specifications sansui au 719 specifications power output 90 watts per channel into 8Ω stereo frequency response 10hz to 20khz total harmonic distortion 0 015 damping

used sansui au 719 integrated amplifiers for sale - Aug 21 2023

web sansui au 719 pricing information on audiogon the high end audio community audiogon the world s largest high end audio community forum au 719 introduced 1979

sansui au 719 integrated amplifier works perfect - Dec 13 2022

web jul 22 2021 manual au719 sansui collection manuals contributions manuals additional collections language english manual au719 sansui addeddate 2021 07

sansui au 719 owner s manual immediate download - Jul 08 2022

web you are bidding on a sansui au 719 integrated amplifier pro serviced fully recapped with banana connectors in back excellent cosmetic condition pro

sansui au 719 audiokarma home audio stereo discussion - Feb 03 2022

sansui au d9 integrated stereo amplifier manual hifi engine - Apr 05 2022

sansui au 819 stereo integrated amplifier manual hifi engine - Mar 04 2022

sansui au 719 integrated amplifiers audio high store com - Oct 11 2022

web specifications power output 95 watts per channel into 8Ω stereo frequency response 10hz to 20khz total harmonic distortion 0 005 damping factor 150

sansui au 717 stereo integrated amplifier manual hifi engine - Aug 09 2022

web apr 28 2011 i need your opinion on getting au 719 before buying it from a friend i am currently having a sansui au 777 and very satisfied with the sound and very eager to

sansui au 717 vs au 719 audiokarma home audio - Jul 20 2023

web jul 30 2023 evaluation prior to starting restoration of this vintage stereo integrated amplifier identification of issues and their repair is covered here

las mejores recetas de saber vivir one shot tapa - Apr 22 2022

web es autor además de varios libros las mejores recetas de saber vivir y los trucos de cocina de sergio y junto con mariló montero de los superventas saber cocinar recetas y trucos de la mañana de la 1 saber cocinar en días de fiesta y saber cocinar postres

saber cocinar recetas light by sergio fernández mariló montero - Jun 05 2023

web crónicas del pensamiento diario y con sergio fernández los best sellers saber cocinar recetas y trucos de la mañana de la 1 saber cocinar en días de fiesta y saber cocinar

saber cocinar tu web de recetas de cocina - Mar 22 2022

web sabercocinar com es una web de recetas para ensaladas carnes sopas pastas arroces postres salsas pescados mariscos potajes guisos huevos tortillas etc

saber cocinar recetas y trucos de la mañana de la 1 fuera - Oct 09 2023

web saber cocinar recetas y trucos de la mañana de la 1 fuera de colección y one shot fernández sergio montero marilo amazon es libros libros salud familia y desarrollo personal desarrollo personal y autoayuda nuevo 5 95 los precios incluyen iva el precio final a pagar al finalizar la compra puede variar según la dirección de

el libro del saber culinario - Jun 24 2022

web sinopsis de el libro del saber culinario el libro del saber culinario es pionero en nuestro país en el nuevo campo del conocimiento fundamentado de la cocina texto original e innovador llamado a convertirse en un clásico indispensable para aficionados y profesionales está organizado por procesos culinarios y despeja poco a poco el

saber cocinar postres by sergio fernández luque goodreads - Aug 27 2022

web después de saber cocinar recetas y trucos de la mañana de la 1 y saber cocinar en días de fiesta sergio fernández y mariló montero nos presentan su propuesta más dulce y esperada saber cocinar postres los postres con los que cada mañana nos deleitan en el programa la mañana de la 1 de tve reunidos en un libro que hará las

las mejores recetas de saber vivir casa del libro - Feb 01 2023

web sinopsis de las mejores recetas de saber vivir sergio fernández luque el cocinero del programa saber vivir de tve nos ofrece en este libro sus 100 mejores recetas de cocina una original selección de platos de fácil elaboración y con numerosos consejos de gran utilidad libro práctico útil sencillo

saber cocinar montero mariló tomé fernández sergio - Oct 29 2022

web tomé fernández sergio editorial espasa fecha de edición marzo 2011 edición nº 1 idioma español ean 9788467036091 si te gusta la cocina o por el contrario no sabes cocinar este es tu libro mariló montero y sergio fernández te ofrecen las mejores recetas del programa saber cocinar de la mañana de la 1 de tve con ellos

nace el nuevo libro saber cocinar con sergio y mariló - Dec 31 2022

web feb 28 2011 estamos todos de enhorabuena tras varios meses de trabajo escribiendo seleccionando fotografiando y probando platos nace el libro que tanto nos habéis pedido saber cocinar con sergio fernández y mariló montero hemos escogido los mejores platos y trucos todos ellos con sus ingredientes elaboraciones fotos y datos de gran

saber cocinar recetas light montero mariló fernández sergio - Jul 06 2023

web saber cocinar recetas light tapa blanda 9 abril 2013 de mariló montero autor sergio fernández autor 3 7 42 valoraciones ver todos los formatos y ediciones versión kindle 2 84 leer con nuestra app gratuita tapa blanda desde 10 00 3 de 2ª mano desde 10 00

saber cocinar recetas light mariló montero sergio fernández - May 04 2023

web saber cocinar recetas light de mariló montero y sergio fernández las recetas más ligeras y sabrosas de la mañana de la 1 libros cocina recetas saber cocinar recetas light guardar en favoritos compartir saber cocinar recetas light título original saber cocinar 5 mariló montero

saber cocinar postres de sergio fernández ulibros - May 24 2022

web bajar saber cocinar postres formato pdf detalles de saber cocinar postres nombre saber cocinar postres autor sergio fernández categoría cocina recetas editorial ediciones martínez roca colección fuera de colección páginas desconocido fecha 6 27 2013 idioma español isbn 978 84 9998 315 8 acerca del autor de este libro

saber cocinar recetas light sergio fernandez - Jul 26 2022

web sergio fernandez saber cocinar recetas light idioma español vistas 104 ver todas las reseñas agregar a mi biblioteca pero puedes obtener este libro gratis en amazon kindle y audible gracias a las ofertas que suelen ofrecer regularmente pruébalo

gratis durante 30 días

saber cocinar postres de sergio fernández bajalibros com - Sep 27 2022

web después de saber cocinar recetas y trucos de la mañana de la 1 y saber cocinar en días de fiesta sergio fernández y mariló montero nos presentan su prop

el libro del saber culinario joaquin pérez conesa google books - Feb 18 2022

web el libro del saber culinario es pionero en nuestro país en el nuevo campo del conocimiento fundamentado de la cocina texto original e innovador llamado a convertirse en un clásico indispensable para aficionados y profesionales está organizado por procesos culinarios y despeja poco a poco el empirismo de la cocina tradicional y explica entre

amazon es libro de cocina de sergio fernandez - Nov 29 2022

web 1 48 de 74 resultados para libro de cocina de sergio fernandez resultados más información sobre estos resultados el gran libro de la cocina tradicional sin coleccion saber cocinar platos 10 en 10 minutos escuela de cocina edición en inglés de mariló montero y sergio fernández 3 6 de 5 estrellas 10

saber cocinar recetas y trucos de la mañana de la 1 sergio - Aug 07 2023

web mar 4 2011 saber cocinar cocinar puede ser más fácil de lo que te imaginas este libro de cocina además de contener recetas te enseña e ilustra múltiples trucos cotidianos para obtener el mejor resultado en la elaboración de tus platos los pequeños problemas que te puedes encontrar delante de los fogones tienen la solución aquí

saber cocinar postres sergio fernández mariló montero - Apr 03 2023

web sergio fernández mariló montero sé el primero en valorar este libro sinopsis de saber cocinar postres las recetas más dulces del programa de la mañana de la 1 después de saber cocinar

saber cocinar recetas y trucos de la maÑana de la 1 casa del libro - Mar 02 2023

web es autor además de varios libros las mejores recetas de saber vivir y los trucos de cocina de sergio y junto con mariló montero de los superventas saber cocinar recetas y trucos de la mañana de la 1 saber cocinar en días de fiesta y saber cocinar postres fotografía nines mínguez

saber cocinar postres fernández sergio montero amazon es - Sep 08 2023

web saber cocinar postres fernández sergio montero mariló amazon es libros libros salud familia y desarrollo personal desarrollo personal y autoayuda nuevo 5 95 precio final del producto entrega por 14 90 entre el 6 10 de marzo ver detalles elige tu dirección envió en 9 a 10 días

nuovo contatto b1 language learning - Mar 10 2023

web oct 1 2020 nuovo contatto b1 author rosella bozzone costa chiara ghezzi monica piantoni publisher loescher isbn 978 8858308653 date 2015 pages 167 101 94 format pdf mp3 size 245 2mb level b1 il volume fa parte del corso nuovo contatto

nuovo contatto è un corso di lingua e civiltà italiana per stranieri che copre i livelli da

nuovo contatto b1 libro audio online volume b1 manuale - Dec 07 2022

web nuovo contatto b1 libro audio online volume b1 manuale eserciziario digitale bozzone costa rosella piantoni monica ghezzi chiara amazon pl książki

amazon it nuovo contatto b1 loescher libri - Jul 02 2022

web nuovo contatto corso di lingua e civiltà italiana per stranieri livello b1 volume b1 manuale audio online di rosella bozzone costa chiara ghezzi e al 25 ago 2015 257 copertina flessibile 32 77 consigl 34 50 consegna gratuita dom 20 ago oppure consegna più rapida domani 18 ago nuovo contatto

nuovo contatto b1 libro audio online kağıt kapak - Jun 13 2023

web nuovo contatto b1 libro audio online ghezzi chiara piantoni monica bozzone costa rosella amazon com tr kitap

nuovo contatto b1 libro con audio online abebooks - Apr 30 2022

web abebooks com nuovo contatto b1 libro con audio online nuovo contatto b1 libro con audio online editado por loescher editore nuovo contatto b1 libro con audio online by bozzone costa rosella nuevo 2016 imosver

nuovo contatto b1 libro audio online empik com - Dec 27 2021

web książka nuovo contatto b1 libro audio online autorstwa opracowanie zbiorowe dostępna w sklepie empik com w cenie przeczytaj recenzję nuovo contatto b1 libro audio online zamów dostawę do dowolnego salonu i zapłać przy odbiorze

nuovo contatto corso di lingua e civiltà italiana per stranieri - Sep 04 2022

web nuovo contatto corso di lingua e civiltà italiana per stranieri livello b1 volume b1 manuale audio online bozzone costa rosella ghezzi chiara piantoni monica amazon it libri

nuovo contatto Loescher editore - Aug 15 2023

web le novità di questa edizione il libro è disponibile anche in versione digitale interattiva con soluzioni ascolti video foto e documenti aggiornati nuove sezioni facciamo il punto per a1 a2 portfolio e strategie per b1 b2 nuovi dossier cultura test formativi per lo studente ampia sintesi grammaticale video autentici

nuovo contatto b1 b2 libro audio online bozzone costa - Aug 03 2022

web librería internacional pasajes nuovo contatto b1 b2 libro audio online bozzone costa rosella nuovo contatto è un corso di lingua e pasajes librería internacional su libro en español inglés francés alemán italiano portugués o del idioma que busque en casa

nuovo contatto audiolang info - May 12 2023

web nuovo contatto is one of the best modern italian language textbooks i hope that you will appreciate this section you can download nuovo contatto workbooks and textbooks for free without any registration by direct link in pdf format audio courses

and lessons are available in mp3 format and you will soon be able to listen to them online

nuovo contatto b1 b2 libro audio online librería agapea - Feb 26 2022

web otros libros de bozzone costa rosella son volentieri a2 nuovo contatto b2 libro volentieri a1 nuovo contatto c1 manuale nuovo contatto c1 esercizi nuovo contatto a2 eserciziario nuovo contatto b2 eserciziario y nuovo contatto b1 manuale ver su bibliografía otros libros de ghezzi chiara son nuovo contatto corso di lingua e

nuovo contatto lEscher editore - Apr 11 2023

web se vuoi consultare libro digitale in versione online senza dover effettuare il download clicca su versione online audio

nuovo contatto a1 zip audio traccia 1 mp3 traccia 2 mp3 traccia 3 mp3 traccia 4 mp3 traccia 5 mp3 traccia 6 mp3 traccia 7 mp3 gallerie fotografiche dossier

nuovo contatto b1 libro audio online volume b1 manuale - Nov 06 2022

web nuovo contatto b1 libro audio online volume b1 manuale eserciziario digitale vv aa amazon se böcker

nuovo contatto lEscher editore - Jul 14 2023

web se vuoi consultare libro digitale in versione online esercizi audio video altri materiali collegati ricordati che è necessario avere una rete internet attiva scarica la app versione online verifica livello b1 nuovo contatto b1 test di fine unità

nuovo contatto b1 libro audio online casa del libro - Jun 01 2022

web compra el libro nuovo contatto b1 libro audio online con isbn 9788858308653 al mejor precio en casa del libro nuovo contatto b1 libro audio online con isbn 9788858308653 casa del

new contact italian language and civilization course for - Oct 05 2022

web buy new contact italian language and civilization course for foreigners level b1 volume b1 manual online audio by bozzone costa rosella piantoni monica ghezzi chiara isbn 9788858308653 from amazon s book store everyday low prices and free delivery on eligible orders

amazon com tr müşteri yorumları nuovo contatto b1 libro audio online - Jan 08 2023

web amazon com tr sitesinde nuovo contatto b1 libro audio online ürünü için faydalı müşteri yorumlarını ve derecelendirmeleri bulabilirsiniz kullanıcılarımızın samimi ve tarafsız ürün yorumlarını okuyun

nuovo contatto b1 libro audio online 9788858308653 - Jan 28 2022

web sep 24 2015 comprar el libro nuovo contatto b1 libro audio online de rosella bozzone costa loescher 9788858308653 con envío gratis desde 18 en nuestra librería online agapea com ver opiniones resumen sinopsis del libro

nuovo contatto b1 italiano per stranieri - Feb 09 2023

web nuovo contatto b1 indietro nostre pubblicazioni nuovo contatto b1 terzo livello di nuovo contatto corso di successo internazionale per chi studia l italiano un approccio pragmatico e comunicativo che non trascura lo sviluppo e l

apprendimento sistematico della grammatica scheda catalogo 1 24 0 0 ti potrebbero interessare anche
nuovo contatto volume b1 manuale eserciziario vv aa - Mar 30 2022

web abebooks com nuovo contatto volume b1 manuale eserciziario 9788858308653 by vv aa and a great selection of similar
new used and collectible books available now at great prices nuovo contatto volume b1 manuale eserciziario vv aa
9788858308653 abebooks