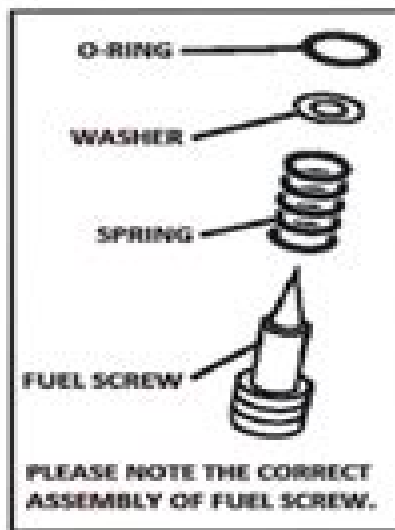
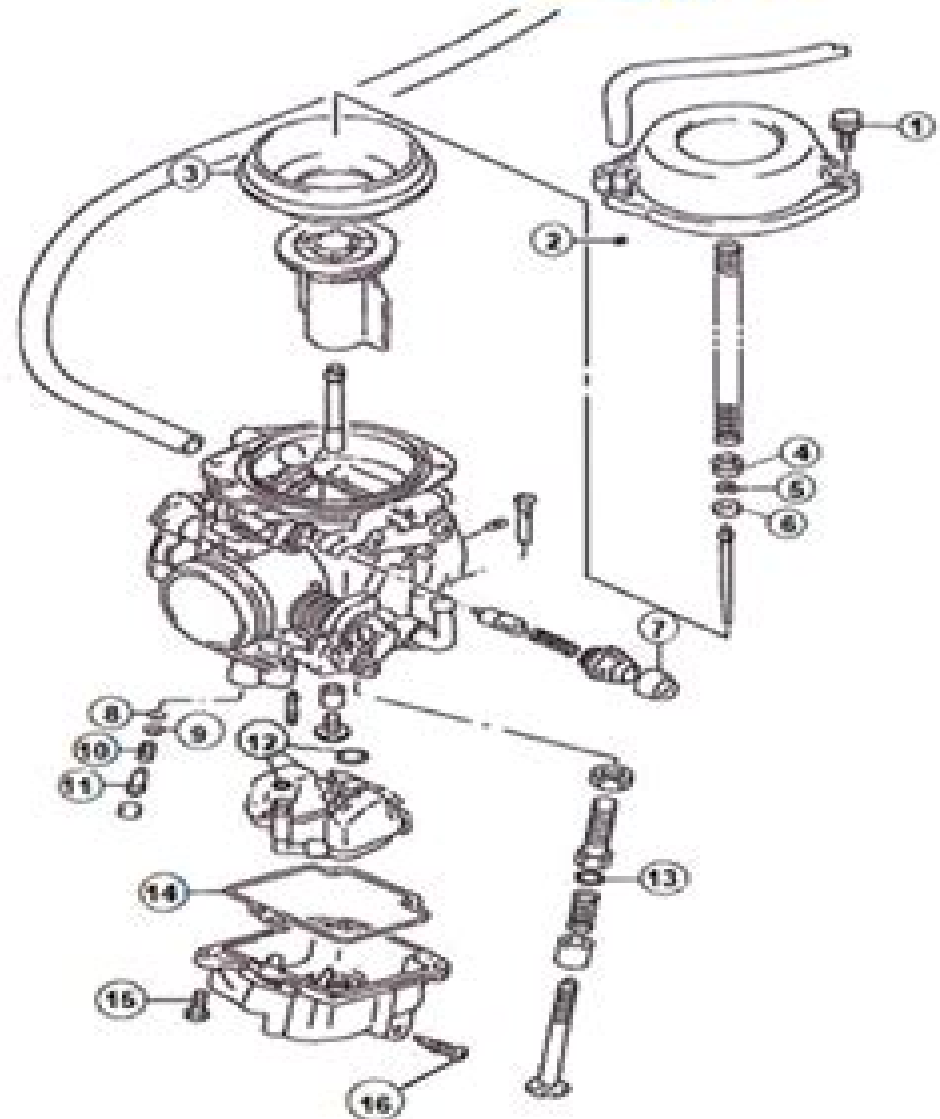


ITEM	QTY	DESCRIPTION
1	2	SCREW (TOP CAP)
2	1	O-RING
3	1	DIAPHRAGM
4	1	RING
5	1	E-RING
6	1	RING
7	1	CAP
8	1	O-RING
9	1	WASHER
10	1	SPRING
11	1	FUEL SCREW
12	1	FLOAT VALVE ASSY
13	1	WASHER
14	1	SEAL (BOWL)
15	2	SCREW
16	1	SCREW

MK-BST40-233

Suzuki Application:
1996-2017 DR 650 SE



Bst 40 Mikuni Manual

Daniela Niemeyer



Bst 40 Mikuni Manual:

Whispering the Techniques of Language: An Emotional Quest through **Bst 40 Mikuni Manual**

In a digitally-driven world where screens reign supreme and immediate conversation drowns out the subtleties of language, the profound secrets and emotional subtleties concealed within words usually move unheard. Yet, nestled within the pages of **Bst 40 Mikuni Manual** a captivating fictional value pulsating with natural thoughts, lies a fantastic quest waiting to be undertaken. Penned by an experienced wordsmith, that marvelous opus encourages viewers on an introspective trip, delicately unraveling the veiled truths and profound influence resonating within ab muscles cloth of each word. Within the psychological depths of the poignant review, we shall embark upon a honest exploration of the book is key subjects, dissect their captivating publishing design, and succumb to the effective resonance it evokes strong within the recesses of readers hearts.

https://stats.tinkerine.com/About/book-search/index.jsp/Act_Preparation_Manual.pdf

Table of Contents Bst 40 Mikuni Manual

1. Understanding the eBook Bst 40 Mikuni Manual
 - The Rise of Digital Reading Bst 40 Mikuni Manual
 - Advantages of eBooks Over Traditional Books
2. Identifying Bst 40 Mikuni Manual
 - Exploring Different Genres
 - Considering Fiction vs. Non-Fiction
 - Determining Your Reading Goals
3. Choosing the Right eBook Platform
 - Popular eBook Platforms
 - Features to Look for in an Bst 40 Mikuni Manual
 - User-Friendly Interface
4. Exploring eBook Recommendations from Bst 40 Mikuni Manual
 - Personalized Recommendations

- Bst 40 Mikuni Manual User Reviews and Ratings
- Bst 40 Mikuni Manual and Bestseller Lists
- 5. Accessing Bst 40 Mikuni Manual Free and Paid eBooks
 - Bst 40 Mikuni Manual Public Domain eBooks
 - Bst 40 Mikuni Manual eBook Subscription Services
 - Bst 40 Mikuni Manual Budget-Friendly Options
- 6. Navigating Bst 40 Mikuni Manual eBook Formats
 - ePub, PDF, MOBI, and More
 - Bst 40 Mikuni Manual Compatibility with Devices
 - Bst 40 Mikuni Manual Enhanced eBook Features
- 7. Enhancing Your Reading Experience
 - Adjustable Fonts and Text Sizes of Bst 40 Mikuni Manual
 - Highlighting and Note-Taking Bst 40 Mikuni Manual
 - Interactive Elements Bst 40 Mikuni Manual
- 8. Staying Engaged with Bst 40 Mikuni Manual
 - Joining Online Reading Communities
 - Participating in Virtual Book Clubs
 - Following Authors and Publishers Bst 40 Mikuni Manual
- 9. Balancing eBooks and Physical Books Bst 40 Mikuni Manual
 - Benefits of a Digital Library
 - Creating a Diverse Reading Collection Bst 40 Mikuni Manual
- 10. Overcoming Reading Challenges
 - Dealing with Digital Eye Strain
 - Minimizing Distractions
 - Managing Screen Time
- 11. Cultivating a Reading Routine Bst 40 Mikuni Manual
 - Setting Reading Goals Bst 40 Mikuni Manual
 - Carving Out Dedicated Reading Time
- 12. Sourcing Reliable Information of Bst 40 Mikuni Manual
 - Fact-Checking eBook Content of Bst 40 Mikuni Manual

- Distinguishing Credible Sources
- 13. Promoting Lifelong Learning
 - Utilizing eBooks for Skill Development
 - Exploring Educational eBooks
- 14. Embracing eBook Trends
 - Integration of Multimedia Elements
 - Interactive and Gamified eBooks

Bst 40 Mikuni Manual Introduction

Free PDF Books and Manuals for Download: Unlocking Knowledge at Your Fingertips In today's fast-paced digital age, obtaining valuable knowledge has become easier than ever. Thanks to the internet, a vast array of books and manuals are now available for free download in PDF format. Whether you are a student, professional, or simply an avid reader, this treasure trove of downloadable resources offers a wealth of information, conveniently accessible anytime, anywhere. The advent of online libraries and platforms dedicated to sharing knowledge has revolutionized the way we consume information. No longer confined to physical libraries or bookstores, readers can now access an extensive collection of digital books and manuals with just a few clicks. These resources, available in PDF, Microsoft Word, and PowerPoint formats, cater to a wide range of interests, including literature, technology, science, history, and much more. One notable platform where you can explore and download free Bst 40 Mikuni Manual PDF books and manuals is the internet's largest free library. Hosted online, this catalog compiles a vast assortment of documents, making it a veritable goldmine of knowledge. With its easy-to-use website interface and customizable PDF generator, this platform offers a user-friendly experience, allowing individuals to effortlessly navigate and access the information they seek. The availability of free PDF books and manuals on this platform demonstrates its commitment to democratizing education and empowering individuals with the tools needed to succeed in their chosen fields. It allows anyone, regardless of their background or financial limitations, to expand their horizons and gain insights from experts in various disciplines. One of the most significant advantages of downloading PDF books and manuals lies in their portability. Unlike physical copies, digital books can be stored and carried on a single device, such as a tablet or smartphone, saving valuable space and weight. This convenience makes it possible for readers to have their entire library at their fingertips, whether they are commuting, traveling, or simply enjoying a lazy afternoon at home. Additionally, digital files are easily searchable, enabling readers to locate specific information within seconds. With a few keystrokes, users can search for keywords, topics, or phrases, making research and finding relevant information a breeze. This efficiency saves time and effort, streamlining the learning process and allowing individuals to focus on extracting the information they

need. Furthermore, the availability of free PDF books and manuals fosters a culture of continuous learning. By removing financial barriers, more people can access educational resources and pursue lifelong learning, contributing to personal growth and professional development. This democratization of knowledge promotes intellectual curiosity and empowers individuals to become lifelong learners, promoting progress and innovation in various fields. It is worth noting that while accessing free Bst 40 Mikuni Manual PDF books and manuals is convenient and cost-effective, it is vital to respect copyright laws and intellectual property rights. Platforms offering free downloads often operate within legal boundaries, ensuring that the materials they provide are either in the public domain or authorized for distribution. By adhering to copyright laws, users can enjoy the benefits of free access to knowledge while supporting the authors and publishers who make these resources available. In conclusion, the availability of Bst 40 Mikuni Manual free PDF books and manuals for download has revolutionized the way we access and consume knowledge. With just a few clicks, individuals can explore a vast collection of resources across different disciplines, all free of charge. This accessibility empowers individuals to become lifelong learners, contributing to personal growth, professional development, and the advancement of society as a whole. So why not unlock a world of knowledge today? Start exploring the vast sea of free PDF books and manuals waiting to be discovered right at your fingertips.

FAQs About Bst 40 Mikuni Manual Books

How do I know which eBook platform is the best for me? Finding the best eBook platform depends on your reading preferences and device compatibility. Research different platforms, read user reviews, and explore their features before making a choice. Are free eBooks of good quality? Yes, many reputable platforms offer high-quality free eBooks, including classics and public domain works. However, make sure to verify the source to ensure the eBook credibility. Can I read eBooks without an eReader? Absolutely! Most eBook platforms offer web-based readers or mobile apps that allow you to read eBooks on your computer, tablet, or smartphone. How do I avoid digital eye strain while reading eBooks? To prevent digital eye strain, take regular breaks, adjust the font size and background color, and ensure proper lighting while reading eBooks. What the advantage of interactive eBooks? Interactive eBooks incorporate multimedia elements, quizzes, and activities, enhancing the reader engagement and providing a more immersive learning experience. Bst 40 Mikuni Manual is one of the best book in our library for free trial. We provide copy of Bst 40 Mikuni Manual in digital format, so the resources that you find are reliable. There are also many Ebooks of related with Bst 40 Mikuni Manual. Where to download Bst 40 Mikuni Manual online for free? Are you looking for Bst 40 Mikuni Manual PDF? This is definitely going to save you time and cash in something you should think about.

Find Bst 40 Mikuni Manual :

act preparation manual

[acid base titration worksheet chemistry if8766](#)

[acs chemistry exam study guide on format](#)

act 59f practice

[acp calculus solutions manual](#)

[acing business associations](#)

[acrobat reader installer](#)

[acs examination study guide](#)

actfrench alexandre dumas ebook

acrylic color explorations techniques expressing

[actex study manual for soa exam p](#)

[acs chemistry study guide 2014](#)

activated carbon compendium by h marsh 2001 12 13

[action speaks louder violence spectacle and the american action movie wesleyan film](#)

[activities for hyperbole and understatement](#)

Bst 40 Mikuni Manual :

furukawa service repair manuals pdf servicemanualperfect - May 22 2022

web view download of more than 42 furukawa pdf user manuals service manuals operating guides test equipment welding system user manuals operating guides

fts b423 7 s326 precision cleaver operating instructions ofs - Oct 07 2023

web this manual contains the complete operating and basic maintenance instructions for the s326 precision cleaver please review this manual carefully before using the s326

northlab procleave ld large diameter fiber cleaver - Nov 27 2022

web improved manual splicing mode ensures reliability and productivity automatic optimisation of rotational adjustment for panda fibers no need to change v grooves or

furukawa user manuals download manualslib - Apr 20 2022

web the information provided in this manual will provide the operator with the safest and most efficient way to use the

machine knowing how to operate the machine safely and
[pdf furukawa cleaver manual](#) - Dec 17 2021

web this extraordinary book aptly titled furukawa cleaver manual published by a very acclaimed author immerses readers in a captivating exploration of the significance of

[furukawa unic ura343 c series hydraulic crane operators](#) - Mar 20 2022

web furakawa f22 workshop and parts manual 40 99 2 items available furukawa f series f 22 f6 f9 f12 f19 f27 f35 see more reviews our f series furukawa

products furukawa electric fitel - Oct 27 2022

web 4 push the cleaving wheel mechanism away from yourself to cleave the fiber note dust bin is removed for these photos
cleaving start position cleaving finished position 5

furukawa - Jul 04 2023

web furukawa

furukawa cleaver manual ceu social - Nov 15 2021

[fusion splicers a furukawa company profiber](#) - Dec 29 2022

web cleaver offers optical fiber cleaving for a full range of osp and oem applications the s326a configuration comes with both the regular and large size fiber waste bin or users

fts b423 1 s326 precision cleaver operating instructions - Aug 05 2023

web this manual contains the complete operating and maintenance instructions for the s326 precision cleaver please review this manual carefully before operating the s326

furukawa electric s178 user manual pdf download - Apr 01 2023

web view and download furukawa electric s178 user manual online fusion splicer s178 welding system pdf manual download

furukawa f series service repair workshop manuals - Feb 16 2022

web mar 11 2023 furukawa cleaver manual is genial in our digital library an online entrance to it is set as public appropriately you can download it instantly our digital library saves

fitel s326b operating instructions pdf download - May 02 2023

web view and download fitel s326b operating instructions online precision cleaver s326b industrial electrical pdf manual download also for s326s80 s326

instruction manual - Sep 25 2022

web parts manual operators manual furukawa unic urw295cur urw295cumr hydraulic crawler crane parts manual download

hirschmann load moment indicator

furukawa service manual repair manual download - Aug 25 2022

web product description precise cleaving is required for photonic splicing applications as the types of optical fiber become more diversified to meet new applications in addition

high precision cleavers aaatesters - Jun 22 2022

web furukawa unic urw376c1u urw546c1u series hydraulic crane service repair workshop manual download this highly detailed repair manual covers all repairs

high precision cleavers drykom - Jan 30 2023

web introducing furukawa electric s line of high precision three and four step cleavers the s324 cleaver is an ergonomic easy to use three step cleaver that replaces fitel s well

ct 101 and ct 102 fiber cleavers aflglobal com - Jul 24 2022

web clean safe precise introducing furukawa electric s line of high precision three and four step cleavers the s324 cleaver is an ergonomic easy to use three step cleaver that

s326 precision cleaver operating instructions profiber - Jun 03 2023

web this manual contains the complete operating and basic maintenance instructions for the s326 precision cleaver please review this manual carefully before using the s326

new products s325 fiber cleaver furukawa - Feb 28 2023

web the s325 is an optical fiber cleaver that realizes fiber cleaving with an average cleave angle of 0 50 or less eliminating skill requirements of finger the fiber cleaving actions

fitel s326 series operating instructions manualslib - Sep 06 2023

web this manual contains the complete operating and basic maintenance instructions for the s326 precision cleaver please review this manual carefully before using the s326

furukawa cleaver manual freewebmasterhelp - Jan 18 2022

web furukawa cleaver manual the christian remembrancer or the churchman s biblical ecclesiastical literary miscellany dec 15 2019 war department technical manual

oxford family and friends 2 readers secure4 khronos - Jan 28 2022

web jun 17 2023 oxford family and friends 2 readers after acquiring offer we remunerate for oxford family and friends 2 readers and multiple books assortments from fictions to scientific analysis in any way

family and friends readers 2 the bear on the stairs - Jul 14 2023

web exceptionally strong skills training that s what you get with family and friends how the clear methodology with

objectives for every lesson and carefully staged activities support your children s learning

family and friends 2 class book workbook teacher s book 2nd - Nov 06 2022

web new family and friends 2nd edition combines brand new fluency culture assessment and digital resources with the features teachers love from the first edition fast paced language strong skills training unique phonics programme civic education and comprehensive testing

family and friends 2 class book resources for teaching and - Feb 26 2022

web categories 2 pdf embed listening oxford primary school reading writing speaking tags ebook family and friends pdf ebook family and friends 2 workbook everybody up 3 student audio cd

family and friends 2nd edition level 2 young learners oxford - Dec 27 2021

web naomi simmons tamzin thompson and jenny quintana new family and friends 2nd edition combines brand new fluency culture assessment and digital resources with the features teachers love from the first edition fast paced language strong skills training unique phonics programme civic education and comprehensive testing

family and friends 2nd edition level 2 oxford university press - Mar 10 2023

web new family and friends 2nd edition combines brand new fluency culture assessment and digital resources with the features teachers love from the first edition fast paced language strong skills training unique phonics programme civic education and comprehensive testing

downloads family and friends oxford university press - Feb 09 2023

web 2 days ago family and friends 2nd edition 2 reading and clil family and friends 1 reading and clil answer key pdf 649kb family and friends 1 unit 8 a hospital school pdf 456kb family and friends 1 unit 9 looking at portraits pdf 3 2mb family and friends 1 unit 10 drawing animals pdf 536kb family and friends 1

oxford university press family and friends 2 class book workbook 2 - Dec 07 2022

web oxford university press family and friends 2 class book workbook 2 dvds yorumlarını inceleyin trendyol a özel indirimli fiyata satın alın marka oxford university press İndirim kuponlarını

oxford family and friends 2 readers book - Apr 30 2022

web oxford family and friends 2 readers family and friends apr 04 2023 family and friends readers 3 pinocchio jun 25 2022 friends 2 lovers jun 13 2021 strong relationships come from well bonded friendships the best foundation for relationships to grow flourish and succeed is a deep rooted friendship this

downloads family and friends oxford university press - Apr 11 2023

web sep 13 2023 family and friends 2nd edition 2 reading and clil family and friends 2 reading and clil answer key pdf 835kb family and friends 2 unit 7 british food traditions pdf 505kb family and friends 2 unit 8 unusual clocks pdf 1mb family

and friends 2 unit 9 all about giraffes pdf 805kb

oxford family and friends readers 2 family and friends readers - Aug 03 2022

web feb 26 2023 oxford family and friends readers 2 family and friends readers is an international series for young learners of the english language some of the books were new stories some were created from existing content but there had to be a consistent look and feel despite ageing up significantly in later levels

family and friends 1 class book workbook teacher s book 2nd - Sep 04 2022

web new family and friends 2nd edition combines brand new fluency culture assessment and digital resources with the features teachers love from the first edition fast paced language strong skills training unique phonics programme civic education and comprehensive testing family and friends 1

family and friends 2 readers - Jan 08 2023

web family and friends 2 readers 1 great clarendon street oxford ox2 6dp united kingdom oxford university press is a department of the university of oxford it furthers the university s objective of excellence in research scholarship and education by publishing worldwide oxford is a registered trade

family and friends 2 class book pdf google drive - Jun 01 2022

web family and friends 2 class book pdf family and friends 2 class book pdf sign in details

level 2 family and friends oxford university press - Aug 15 2023

web 2 days ago artwork acknowledgements course artwork christos skaltsas jo taylor sylvie poggio simon clare greetings artwork gustavo mazali judy brown

family and friends young learners oxford university press - May 12 2023

web naomi simmons tamzin thompson and jenny quintana new family and friends 2nd edition combines brand new fluency culture assessment and digital resources with the features teachers love from the first edition fast paced language strong skills training unique phonics programme civic education and comprehensive testing

family and friends 2 words flashcards teaching and learning - Mar 30 2022

web family and friends 1 words flashcards family and friends 3 words flashcards family and friends 4 words flashcards family and friends starter flashcards first friends 2 flashcards first friends 1 flashcards first sticker and colour words family and friends 1 workbook family and friends 2 workbook

family and friends learning resources oxford university press - Jun 13 2023

web sep 13 2023 family and friends parent s site family and friends 1st edition listen at home audio

oxford family and friends readers 2 ВКонтакте - Jul 02 2022

web mar 14 2020 family and friends readers is an international series for young learners of the english language some of

the books were new stories some were created from existing content but there had to be a consistent look and feel

downloads family and friends oxford university press - Oct 05 2022

web 1 day ago listen at home listen at home target language songs and phonics audio from the class book family and friends

2nd edition level 4 listen at home audio

automotive product catalogue tidc india pdf - Dec 06 2022

web tidc india automotive companies like hero bajaj acquired sedis an acknowledged lead honda motorcycles and scooters india er in industrial chains and sprockets with

automotive product catalogue tidc india - Oct 04 2022

web automotive product catalogue tidc india pdf download march 26th 2018 automotive product catalogue tidc india auto product tidc india tidc india is the market leader

c a t a l o g u e a u t o p r o d u c t t i d c i n d i a - Aug 14 2023

web xtron spray tidc india a leading chain manufacturer based on extensive research and expertise has developed this unique hi life spray made out of a compound mixture

automotive product catalogue tidc india - Jul 01 2022

web jun 15 2023 automotive product catalogue tidc india if you want to funny books lots of fiction tale laughs and more fictions collections are also launched from best seller to

automotive product catalogue tidc india copy - Oct 24 2021

web auto segment tidc powers one out of every two 2 wheelers in india tidc manufactures automotive kits comprising of motorcycle moped drive chains front sprockets and rear

automotive product catalogue tidc india secure4 khronos - May 31 2022

web mar 23 2023 have the funds for automotive product catalogue tidc india pdf and numerous book collections from fictions to scientific research in any way accompanied

automotive product catalogue tidc india pdf blueskywildlife - May 11 2023

web automotive product catalogue tidc india automotive product catalogue tidc india 2 downloaded from 50storiesfortomorrow ilfu com on 2023 05 08 by guest the first

automotive product catalogue tidc india pdf gccca - Apr 29 2022

web with our latest product catalog we provide you with an up to date overview of the softing automotive range our product and service portfolio has been continually extended

c a t a l o g u e a u t o p r o d u c t m o t o g a a d i c o m - Sep 22 2021

automotive product catalogue tidc india - Jun 12 2023

web sep 4 2023 automotive product catalogue tidc india pdf is available in our book collection an online access to it is set as public so you can get it instantly our books

[automotive product catalogue tidc india](#) - Apr 10 2023

web automotive product catalogue tidc india downloaded from ci kubesail com by guest gianna june object oriented software engineering using uml patterns and java

automotive product catalogue tidc india blog stylewe com - Nov 24 2021

web less latency era to download any of our books following this one merely said the automotive product catalogue tidc india is universally compatible taking into

tidc india - Jul 13 2023

web march 26th 2018 automotive product catalogue tidc india auto product tidc india tidc india is the market leader in industrial chains automotive chains and fine blanked

[all motul tech catalogs and technical brochures directindustry](#) - Jan 27 2022

web 2 days ago iphone 15 pro and iphone 15 pro max will be available in four stunning new finishes including black titanium white titanium blue titanium and natural titanium pre

apple unveils iphone 15 pro and iphone 15 pro max apple - Dec 26 2021

web automotive product catalogue tidc india downloaded from blog stylewe com by guest ellison deacon the greek magical papyri in translation including the demotic

[automotive product catalogue tidc india](#) - Sep 03 2022

web apr 5 2023 you could purchase lead automotive product catalogue tidc india or get it as soon as feasible you could quickly download this automotive product catalogue

[automotive product catalogue tidc india uniport edu](#) - Aug 02 2022

web 4 automotive product catalogue tidc india 2022 01 14 anthropology s first in depth look at an isolated culture is also a daring adventure story of around the world travel in

automotive product catalogue tidc india copy ci kubesail - Mar 09 2023

web automotive product catalogue tidc india 1 automotive product catalogue tidc india right here we have countless ebook automotive product catalogue tidc india and

automotive product catalogue tidc india pdf test thelyst - Jan 07 2023

web jun 18 2023 automotive product catalogue tidc india pdf is available in our digital library an online access to it is set as public so you can download it instantly our book

tidc automotiveproductcatalogue2015 pdf pdf land - Nov 05 2022

web tidc india official site 3m india 3m automotive aftermarket product catalogue products directory wholesale products b2b marketplace ask automotive official site

automotive product catalog softing - Mar 29 2022

web all catalogues trendy s all vehicle chassis spare parts downlaod vol 7 downlaod vol 7 10 trendy s all vehicle electrical spare parts downlaod vol 5

automotive product catalogue tidc india 2022 live deskmy - Feb 08 2023

web this online broadcast automotive product catalogue tidc india can be one of the options to accompany you as soon as having new time it will not waste your time acknowledge

all catalogues trendy automobile components - Feb 25 2022

web catalogs products catalogs news trends exhibitions all motul tech catalogs and technical brochures mc care e3 wheel clean 1 pages mc care e2