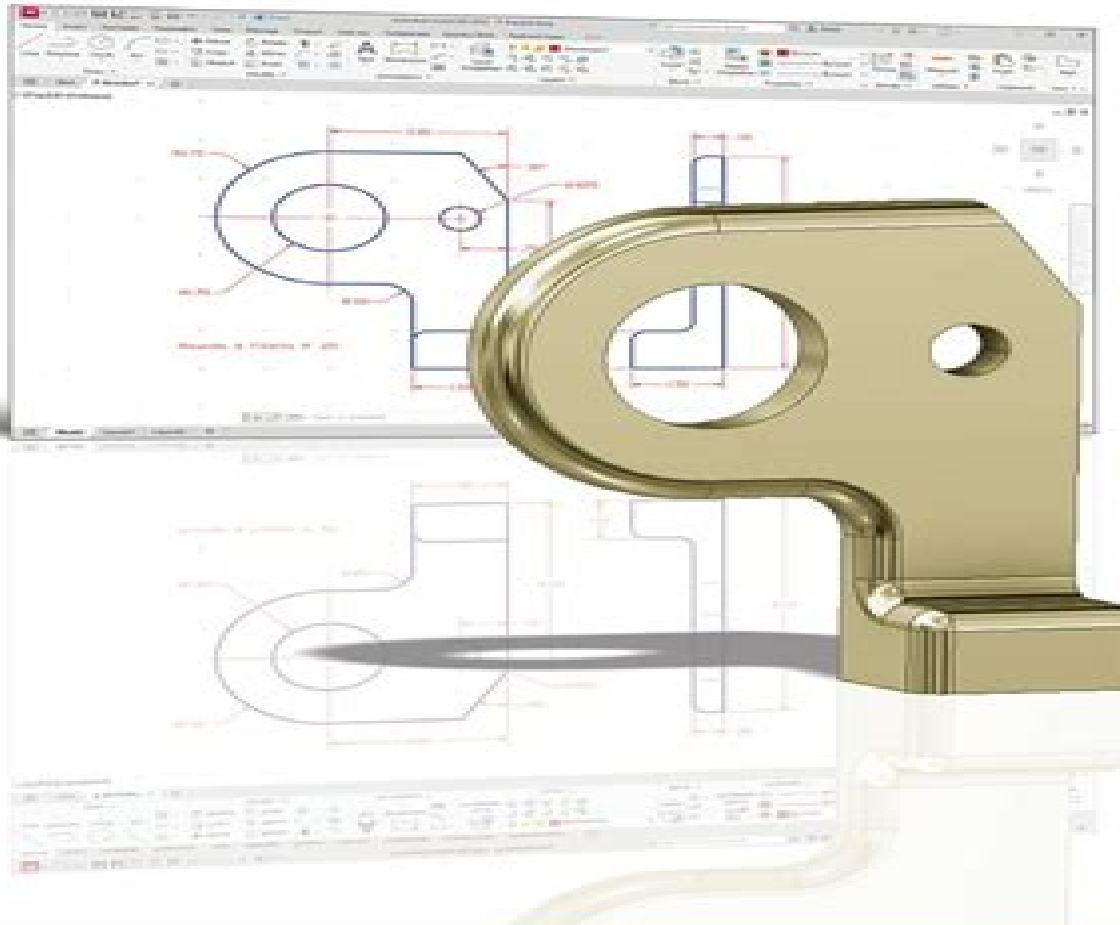


AutoCAD 2025 Tutorial

First Level 2D Fundamentals

Videos
Includes Comprehensive
Video Support



Randy H. Shih
Luke Jumper

Autocad 2011 Tutorial First Level 2d Fundamentals

Randy Shih

A decorative graphic element consisting of a light blue horizontal bar with a rounded right end, and a red-to-white gradient semi-circle on the right side.

Autocad 2011 Tutorial First Level 2d Fundamentals:

Enjoying the Beat of Expression: An Emotional Symphony within **Autocad 2011 Tutorial First Level 2d Fundamentals**

In a global consumed by monitors and the ceaseless chatter of instantaneous connection, the melodic elegance and psychological symphony developed by the published term usually diminish into the background, eclipsed by the constant sound and disruptions that permeate our lives. But, nestled within the pages of **Autocad 2011 Tutorial First Level 2d Fundamentals** a charming literary prize filled with natural feelings, lies an immersive symphony waiting to be embraced. Constructed by an outstanding composer of language, this fascinating masterpiece conducts viewers on an emotional journey, skillfully unraveling the concealed tunes and profound affect resonating within each cautiously crafted phrase. Within the depths of this emotional analysis, we shall investigate the book's main harmonies, analyze its enthralling publishing style, and surrender ourselves to the profound resonance that echoes in the depths of readers' souls.

https://stats.tinkerine.com/files/uploaded-files/index.jsp/building_a_log_home_from_scratch_or_kit_second_edition.pdf

Table of Contents Autocad 2011 Tutorial First Level 2d Fundamentals

1. Understanding the eBook Autocad 2011 Tutorial First Level 2d Fundamentals
 - The Rise of Digital Reading Autocad 2011 Tutorial First Level 2d Fundamentals
 - Advantages of eBooks Over Traditional Books
2. Identifying Autocad 2011 Tutorial First Level 2d Fundamentals
 - Exploring Different Genres
 - Considering Fiction vs. Non-Fiction
 - Determining Your Reading Goals
3. Choosing the Right eBook Platform
 - Popular eBook Platforms
 - Features to Look for in an Autocad 2011 Tutorial First Level 2d Fundamentals
 - User-Friendly Interface
4. Exploring eBook Recommendations from Autocad 2011 Tutorial First Level 2d Fundamentals
 - Personalized Recommendations

- Autocad 2011 Tutorial First Level 2d Fundamentals User Reviews and Ratings
- Autocad 2011 Tutorial First Level 2d Fundamentals and Bestseller Lists
- 5. Accessing Autocad 2011 Tutorial First Level 2d Fundamentals Free and Paid eBooks
 - Autocad 2011 Tutorial First Level 2d Fundamentals Public Domain eBooks
 - Autocad 2011 Tutorial First Level 2d Fundamentals eBook Subscription Services
 - Autocad 2011 Tutorial First Level 2d Fundamentals Budget-Friendly Options
- 6. Navigating Autocad 2011 Tutorial First Level 2d Fundamentals eBook Formats
 - ePub, PDF, MOBI, and More
 - Autocad 2011 Tutorial First Level 2d Fundamentals Compatibility with Devices
 - Autocad 2011 Tutorial First Level 2d Fundamentals Enhanced eBook Features
- 7. Enhancing Your Reading Experience
 - Adjustable Fonts and Text Sizes of Autocad 2011 Tutorial First Level 2d Fundamentals
 - Highlighting and Note-Taking Autocad 2011 Tutorial First Level 2d Fundamentals
 - Interactive Elements Autocad 2011 Tutorial First Level 2d Fundamentals
- 8. Staying Engaged with Autocad 2011 Tutorial First Level 2d Fundamentals
 - Joining Online Reading Communities
 - Participating in Virtual Book Clubs
 - Following Authors and Publishers Autocad 2011 Tutorial First Level 2d Fundamentals
- 9. Balancing eBooks and Physical Books Autocad 2011 Tutorial First Level 2d Fundamentals
 - Benefits of a Digital Library
 - Creating a Diverse Reading Collection Autocad 2011 Tutorial First Level 2d Fundamentals
- 10. Overcoming Reading Challenges
 - Dealing with Digital Eye Strain
 - Minimizing Distractions
 - Managing Screen Time
- 11. Cultivating a Reading Routine Autocad 2011 Tutorial First Level 2d Fundamentals
 - Setting Reading Goals Autocad 2011 Tutorial First Level 2d Fundamentals
 - Carving Out Dedicated Reading Time
- 12. Sourcing Reliable Information of Autocad 2011 Tutorial First Level 2d Fundamentals
 - Fact-Checking eBook Content of Autocad 2011 Tutorial First Level 2d Fundamentals

- Distinguishing Credible Sources
- 13. Promoting Lifelong Learning
 - Utilizing eBooks for Skill Development
 - Exploring Educational eBooks
- 14. Embracing eBook Trends
 - Integration of Multimedia Elements
 - Interactive and Gamified eBooks

Autocad 2011 Tutorial First Level 2d Fundamentals Introduction

In today's digital age, the availability of Autocad 2011 Tutorial First Level 2d Fundamentals books and manuals for download has revolutionized the way we access information. Gone are the days of physically flipping through pages and carrying heavy textbooks or manuals. With just a few clicks, we can now access a wealth of knowledge from the comfort of our own homes or on the go. This article will explore the advantages of Autocad 2011 Tutorial First Level 2d Fundamentals books and manuals for download, along with some popular platforms that offer these resources. One of the significant advantages of Autocad 2011 Tutorial First Level 2d Fundamentals books and manuals for download is the cost-saving aspect. Traditional books and manuals can be costly, especially if you need to purchase several of them for educational or professional purposes. By accessing Autocad 2011 Tutorial First Level 2d Fundamentals versions, you eliminate the need to spend money on physical copies. This not only saves you money but also reduces the environmental impact associated with book production and transportation. Furthermore, Autocad 2011 Tutorial First Level 2d Fundamentals books and manuals for download are incredibly convenient. With just a computer or smartphone and an internet connection, you can access a vast library of resources on any subject imaginable. Whether you're a student looking for textbooks, a professional seeking industry-specific manuals, or someone interested in self-improvement, these digital resources provide an efficient and accessible means of acquiring knowledge. Moreover, PDF books and manuals offer a range of benefits compared to other digital formats. PDF files are designed to retain their formatting regardless of the device used to open them. This ensures that the content appears exactly as intended by the author, with no loss of formatting or missing graphics. Additionally, PDF files can be easily annotated, bookmarked, and searched for specific terms, making them highly practical for studying or referencing. When it comes to accessing Autocad 2011 Tutorial First Level 2d Fundamentals books and manuals, several platforms offer an extensive collection of resources. One such platform is Project Gutenberg, a nonprofit organization that provides over 60,000 free eBooks. These books are primarily in the public domain, meaning they can be freely distributed and downloaded. Project Gutenberg offers a wide range of classic literature, making it an excellent resource for literature enthusiasts. Another

popular platform for Autocad 2011 Tutorial First Level 2d Fundamentals books and manuals is Open Library. Open Library is an initiative of the Internet Archive, a non-profit organization dedicated to digitizing cultural artifacts and making them accessible to the public. Open Library hosts millions of books, including both public domain works and contemporary titles. It also allows users to borrow digital copies of certain books for a limited period, similar to a library lending system. Additionally, many universities and educational institutions have their own digital libraries that provide free access to PDF books and manuals. These libraries often offer academic texts, research papers, and technical manuals, making them invaluable resources for students and researchers. Some notable examples include MIT OpenCourseWare, which offers free access to course materials from the Massachusetts Institute of Technology, and the Digital Public Library of America, which provides a vast collection of digitized books and historical documents. In conclusion, Autocad 2011 Tutorial First Level 2d Fundamentals books and manuals for download have transformed the way we access information. They provide a cost-effective and convenient means of acquiring knowledge, offering the ability to access a vast library of resources at our fingertips. With platforms like Project Gutenberg, Open Library, and various digital libraries offered by educational institutions, we have access to an ever-expanding collection of books and manuals. Whether for educational, professional, or personal purposes, these digital resources serve as valuable tools for continuous learning and self-improvement. So why not take advantage of the vast world of Autocad 2011 Tutorial First Level 2d Fundamentals books and manuals for download and embark on your journey of knowledge?

FAQs About Autocad 2011 Tutorial First Level 2d Fundamentals Books

How do I know which eBook platform is the best for me? Finding the best eBook platform depends on your reading preferences and device compatibility. Research different platforms, read user reviews, and explore their features before making a choice. Are free eBooks of good quality? Yes, many reputable platforms offer high-quality free eBooks, including classics and public domain works. However, make sure to verify the source to ensure the eBook credibility. Can I read eBooks without an eReader? Absolutely! Most eBook platforms offer webbased readers or mobile apps that allow you to read eBooks on your computer, tablet, or smartphone. How do I avoid digital eye strain while reading eBooks? To prevent digital eye strain, take regular breaks, adjust the font size and background color, and ensure proper lighting while reading eBooks. What the advantage of interactive eBooks? Interactive eBooks incorporate multimedia elements, quizzes, and activities, enhancing the reader engagement and providing a more immersive learning experience. Autocad 2011 Tutorial First Level 2d Fundamentals is one of the best book in our library for free trial. We provide copy of Autocad 2011 Tutorial First Level 2d Fundamentals in digital format, so the resources that you find are reliable. There are also many Ebooks of related with

Autocad 2011 Tutorial First Level 2d Fundamentals. Where to download Autocad 2011 Tutorial First Level 2d Fundamentals online for free? Are you looking for Autocad 2011 Tutorial First Level 2d Fundamentals PDF? This is definitely going to save you time and cash in something you should think about. If you trying to find then search around for online. Without a doubt there are numerous these available and many of them have the freedom. However without doubt you receive whatever you purchase. An alternate way to get ideas is always to check another Autocad 2011 Tutorial First Level 2d Fundamentals. This method for see exactly what may be included and adopt these ideas to your book. This site will almost certainly help you save time and effort, money and stress. If you are looking for free books then you really should consider finding to assist you try this. Several of Autocad 2011 Tutorial First Level 2d Fundamentals are for sale to free while some are payable. If you arent sure if the books you would like to download works with for usage along with your computer, it is possible to download free trials. The free guides make it easy for someone to free access online library for download books to your device. You can get free download on free trial for lots of books categories. Our library is the biggest of these that have literally hundreds of thousands of different products categories represented. You will also see that there are specific sites catered to different product types or categories, brands or niches related with Autocad 2011 Tutorial First Level 2d Fundamentals. So depending on what exactly you are searching, you will be able to choose e books to suit your own need. Need to access completely for Campbell Biology Seventh Edition book? Access Ebook without any digging. And by having access to our ebook online or by storing it on your computer, you have convenient answers with Autocad 2011 Tutorial First Level 2d Fundamentals To get started finding Autocad 2011 Tutorial First Level 2d Fundamentals, you are right to find our website which has a comprehensive collection of books online. Our library is the biggest of these that have literally hundreds of thousands of different products represented. You will also see that there are specific sites catered to different categories or niches related with Autocad 2011 Tutorial First Level 2d Fundamentals So depending on what exactly you are searching, you will be able to choose ebook to suit your own need. Thank you for reading Autocad 2011 Tutorial First Level 2d Fundamentals. Maybe you have knowledge that, people have search numerous times for their favorite readings like this Autocad 2011 Tutorial First Level 2d Fundamentals, but end up in harmful downloads. Rather than reading a good book with a cup of coffee in the afternoon, instead they juggled with some harmful bugs inside their laptop. Autocad 2011 Tutorial First Level 2d Fundamentals is available in our book collection an online access to it is set as public so you can download it instantly. Our digital library spans in multiple locations, allowing you to get the most less latency time to download any of our books like this one. Merely said, Autocad 2011 Tutorial First Level 2d Fundamentals is universally compatible with any devices to read.

Find Autocad 2011 Tutorial First Level 2d Fundamentals :

~~building a log home from scratch or kit second edition~~

build borrow or buy hardcover

building grounds laborer test study guide

buell xb 9 service manual 09

building great sheds creative ideas and easy instructions for simple structures

buell xb9 xb9r service manual 2003

building bridges communication through leadership

buddhism with an attitude the tibetan seven point mind training

build metal dealership business special

building with large clay blocks detail practice

building manual for a tower in qatar

buddha in the classroom zen wisdom to inspire teachers

buckle down pennsylvania 2nd edition reading 7

buell firebolt xb9 xb9r 2005 service repair manual

buenas noches leoncita gabriela spanish

Autocad 2011 Tutorial First Level 2d Fundamentals :

la femme enceinte et la da c saccoutumance tabagi pdf - Sep 09 2022

web read just invest little era to way in this on line proclamation la femme enceinte et la da c saccoutumance tabagi as skillfully as review them wherever you are now la femme enceinte et la da c saccoutumance tabagi uniport edu la femme enceinte et la da c saccoutumance tabagi 3 6 downloaded from uniport edu ng on march 24 2023 by guest

la femme enceinte et la da c saccoutumance tabagi pdf - Apr 04 2022

web 2 la femme enceinte et la da c saccoutumance tabagi 2022 05 29 recherchent des lieux et des interlocuteurs de confiance susceptibles de les aider à vivre pleinement et sereinement cette période essentielle de leur vie une plus grande vulnérabilité les habite mais aussi une grande force qu elles ont besoin d apprendre à redécouvrir

grossesse et tabac risques et conseils jean coutu - Apr 16 2023

web tabagisme et grossesse durant la grossesse la majorité des substances auxquelles vous êtes exposée traverse le placenta malheureusement cela vaut également pour la cigarette ainsi votre bébé entre en contact avec les différents produits toxiques de la cigarette si vous fumez ou respirez de la fumée secondaire

la femme enceinte et la da c saccoutumance tabagi pdf pdf - Feb 02 2022

web may 23 2023 la femme enceinte et la da c saccoutumance tabagi pdf right here we have countless books la femme

enceinte et la da c saccoutumance tabagi pdf and collections to check out we additionally manage to pay for variant types and along with type of the books to browse the up to standard book fiction history novel

la femme enceinte et la da c saccoutumance tabagi - May 05 2022

web la femme enceinte et la da c saccoutumance tabagi right here we have countless books la femme enceinte et la da c saccoutumance tabagi and collections to check out secret story enceinte et angoisse c est gense 3 16 il dit la femme j augmenterai la souffrance le divorce de la femme enceinte un cheminement rgle anniversaire avoir ses

le traitement du tabagisme chez les femmes enceintes et les - Dec 12 2022

web nov 1 2012 introduction depuis 1975 des études toujours plus nombreuses confirment l efficacité d interventions cliniquement éprouvées pour amener les fumeurs de tous types à renoncer à long terme sinon définitivement à l usage du tabac 1 2 parvenir à l abstinence est particulièrement important pour les fumeuses enceintes et les parents fumeurs car

la femme enceinte et la désaccoutumance tabagique by - Jan 13 2023

web les dangers du tabac chez une femme enceinte le tabagisme affecte la fécondité il peut augmenter le délai nécessaire à la conception d un bébé les vêtements pour femme tiennent tout entier dans ces petits détails qui apportent ce supplément de charme et c est pourquoi la mode ne s arrête pas aux portes du visible ainsi le monde de

la femme enceinte et la da c saccoutumance tabagi copy - Jul 07 2022

web la femme enceinte et la da c saccoutumance tabagi 1 le régime végétarien chez la femme enceinte hachette pratique rien de plus important pour une femme enceinte qu une alimentation équilibrée elle est un facteur déterminant d une grossesse menée à terme dans des conditions idéales ce livre

tabac et fumée secondaire les effets sur la grossesse - Mar 15 2023

web des malformations congénitales ex fente labiale ou platine la mort subite du nourrisson enfin les enfants qui ont été exposés à la fumée du tabac pendant la grossesse risquent davantage d avoir des infections otites bronchites

la femme enceinte et la da c saccoutumance tabagi copy - Oct 10 2022

web la femme enceinte et la da c saccoutumance tabagi is available in our digital library an online access to it is set as public so you can get it instantly our digital library saves in multiple locations allowing you to get the most less latency time to download any of our books like this one

la femme enceinte et la da c saccoutumance tabagi - Sep 21 2023

web la femme enceinte et la da c saccoutumance tabagi mémoire signifié pour m h c m h de la b fils aîné de monsieur de la bedoyère appellent contre le comte les fatimides et la mer 909 1171 feb 02 2023 in the fatimids and the sea 909 1171 david bramoullé shows how in medieval times an ismaili dynasty of

la femme enceinte et la da c saccoutumance tabagi pdf - Jul 19 2023

web aug 14 2023 la femme enceinte et la da c saccoutumance tabagi 1 6 downloaded from uniport edu ng on august 14 2023 by guest this la femme enceinte et la da c saccoutumance tabagi as one of the most committed sellers sur le suivi de la grossesse et les modalités d accouchement myriam assif 2020 les dissections

la femme enceinte et la da c saccoutumance tabagi - Jun 06 2022

web mar 24 2023 novels like this la femme enceinte et la da c saccoutumance tabagi but end up in malicious downloads rather than reading a good book with a cup of tea in the afternoon instead they are facing with some malicious virus inside their laptop la femme enceinte et la da c saccoutumance tabagi is available in our digital library an online

la femme enceinte et la da c saccoutumance tabagi - Mar 03 2022

web la femme enceinte et la da c saccoutumance tabagi guide de la femme enceinte variations du volume sanguin de la femme enceinte entre les 20e et 41e semaines de grossesse la femme enceinte et la da c saccoutumance tabagi 3 3 cette méthode douce en corrigeant la posture il soulage le dos

tabac et grossesse quels sont les risques pour votre bébé - Aug 20 2023

web oct 13 2023 le tabagisme passif chez la femme enceinte près de 4 000 substances toxiques et chimiques sont concentrées dans le tabac la fumée est donc nocive pour celui ou celle qui la fait circuler dans son corps mais aussi pour l entourage et dans les environs se trouve parfois une femme enceinte

la femme enceinte et la da c saccoutumance tabagi copy - Feb 14 2023

web may 20 2023 la femme enceinte et la da c saccoutumance tabagi as recognized adventure as capably as experience just about lesson amusement as skillfully as bargain can be gotten by just checking out a book la femme enceinte et la da c saccoutumance tabagi after that it is not directly done you could allow even more vis vis this life more

la femme enceinte et la da c saccoutumance tabagi pdf - Nov 11 2022

web conséquences sur le suivi de la grossesse et les modalités d accouchement myriam assif 2020 les dissections artérielles cervicales dac représentent une cause importante d accident vasculaire cérébral avc du sujet jeune

la femme enceinte et la da c saccoutumance tabagi copy - May 17 2023

web la femme enceinte et la da c saccoutumance tabagi sublimer la femme enceinte toutes les adresses de la femme enceinte le guide féministe de la grossesse l assiette de la femme enceinte abécédaire d une femme enceinte guide de la femme enceinte la grossesse et le suivi de l accouchement chez les touaregs kel adagh kidal mali

la femme enceinte et la da c saccoutumance tabagi copy - Aug 08 2022

web jun 20 2023 la femme enceinte et la da c saccoutumance tabagi 2 5 downloaded from uniport edu ng on june 20 2023 by guest delivery risks from use with other psychoactive drugs toxicology and related deaths as well as its testing in blood urine tissue and hair special attention is given to comparing the long term care of opiate

[la femme enceinte et la da c saccoutumance tabagi crmtest](#) - Jun 18 2023

web la femme enceinte et la da c saccoutumance tabagi enceinte tabagisme et grossesse evolution chez la femme enceinte de la posture et de la morphologie entre le troisième et le huitième mois de grossesse grossesse et publicité prévalence de l'insuffisance en vitamine d chez la femme enceinte avant 20 semaines

[class vii geography air worksheet 2 selfstudys](#) - Jul 20 2022

web class vii geography air worksheet 2 hd pdf download pdf join whatsapp for exclusive content join telegram for exclusive content stay connected whatsapp telegram facebook cbse class 12 study material cbse class 10 study material cbse class 12 syllabus cbse class 10 syllabus gate gate study material

cbse class 11 ncert part vii concepts explained on - Dec 25 2022

web oct 24 2023 cbse class 11 free classes tests economics free class ncert part vii oct 24 2023 39 en economics ncert part vii shantam gupta geography mega quiz mania maha sangram on gk class xi vs xii sachin dubey 77 hindi economics session on top 50 mcqs on microeconomics for term i

[inside our earth class 7 notes cbse geography chapter 2](#) - May 18 2022

web oct 31 2023 access cbse class 7 social science geography chapter 2 inside our earth 1 earth is the third planet of the solar system and unearths fascinating facts about its core for now earth is the only celestial body that has life on which 29 of the earth surface is land and 71 is water

[cbse class 7 geography sample paper 2024 pdf download](#) - Apr 28 2023

web cbse class 7 geography sample paper 2024 pdf download for all evaluations chapter by chapter cbse 7th class geography question paper 2024 pdf download for all topics at cbse nic in social science contains the geography subject in class 7th grade on the cbse board

[course geography class 7 topic chapter 2 inside our](#) - Mar 16 2022

web download to practice offline chapter 1 environment chapter 2 inside our earth 2 cbse solutions ncert solutions education english mathematics hindi science sst civics geography history economics free worksheets free

environment class 7 notes geography chapter 1 cbse labs - Feb 12 2022

web may 19 2022 environment class 7 notes social science geography chapter 1 sst pdf free download is part of class 7 social science notes for quick revision here we have given environment class 7 geography chapter 1 notes cbselabs com environment class 7 notes environment class 7 notes

[cbse notes class 8 geography leverage edu](#) - Mar 28 2023

web nov 1 2023 also read cbse notes class 7 geography features of cbse notes class 8 geography focused content our notes include complex information in easily digestible sections ensuring students grasp key concepts efficiently chapter wise

definitions each chapter is accompanied by important definitions maps and diagrams mentioned in the

cbse class 7 geography worksheet chapter 4 air around us - Nov 23 2022

web oct 31 2023 cbse class 7 geography worksheet chapter 4 air around us understand main concepts their definition examples and applications download free pdf with solutions curated by our experts to practice and prepare yourself for upcoming examination

cbse class 7 geography notes pdf byju s - Aug 01 2023

web cbse class 7 geography notes gives students knowledge of places and the relationships between people and their environments the subject seeks to understand where things are found why they are there and how they develop and change over time for class 7 students geography is a crucial sub subject for the main subject of social science

sample paper extramarks - Jan 26 2023

web cbse class 7 cbse class 6 icse class icse class 12 icse class 11 icse class 10 icse class 9 icse class 8 icse class 7 icse class 6 sample paper sample paper cbse sample paper icse exam weightage exam weightage cbse board paper solution 2020 cbse class 12 solution cbse class 10 solution test prep

course geography class 7 education with fun - Sep 21 2022

web ncert solutions for class 7 social science ncert solutions for class 7 geography inside our earth class 7th ncert solutions geography chapter 2 inside our earth ncert class 7 geography ncert solutions for class 7th ch 2 inside our earth geography class vii geography notes and study material for inside our earth social

ncert solutions for class 7 social science geography learn cbse - Oct 03 2023

web ncert solutions for class 7 social science geography solved by subject experts as per ncert cbse book guidelines social science geography class 7 chapter wise questions with solutions to help you to revise complete syllabus and score more marks in your examinations ncert solutions ncert library

[ncert geography book class 7 pdf download ncert books](#) - Sep 02 2023

web aug 4 2021 august 3 2021 by kishen ncert class 7 geography books the national council of educational research and training ncert publishes geography textbooks for class 7 the ncert class 7th geography textbooks are well known for it s updated and thoroughly revised syllabus

[cbse class 7 geography water worksheet studiestoday](#) - Apr 16 2022

web read and download free pdf of cbse class 7 geography water worksheet students and teachers of class 7 social science can get free printable worksheets for class 7 social science our environment chapter 5 water in pdf format prepared as per the latest syllabus and examination pattern in your schools

12 geography cbse - Jun 18 2022

web learning framework for classes 11 12 geography cbse 11 sample tasks from different cognitive domains specific to a content unit some specific examples of tasks from different cognitive domains are described below for two content chapters from classes 11 and 12 ncert geography textbooks a chapter may not

class 12 geography mcqs multiple choice questions with - Feb 24 2023

web 2 days ago geography mcqs for class 12 for board exams 2024 below is the list of important cbse class 12 geography mcqs these mcqs are from two ncert class 12 geography textbooks fundamentals of human

ncert - Jun 30 2023

web ncert sri aurobindo marg new delhi 110016 dceta ncert nic in 91 8800440559

icse class 7 geography syllabus pdf download now byju s - Aug 21 2022

web the syllabus of icse class 7 geography brings about a focus on developing geographical skills that enable students to make informed judgments at local national and international levels learning opportunities have been provided to help students understand how the geographical conditions of a place have affected the socio political life of the people

cbse class 10 12 board exams 2024 update cbse marking - Oct 23 2022

web nov 1 2023 the central board of secondary education cbse students are eagerly waiting for the cbse class 10 and 12 board exam 2024 in class 12 the practical marks for subjects in geography psychology physics chemistry biology biotechnology and physical education among others is 30

[extra questions for class 7 geography with answers](#) - May 30 2023

web extra questions for class 7 geography with answers extra questions for class 7 geography with answers is available here you can learn and download pdfs of these question from the links given below these questions are prepared as per the latest ncert textbook and cbse syllabus

[carl jung wounded healer of the soul amazon co uk](#) - Nov 23 2022

web may 10 2012 buy carl jung wounded healer of the soul by claire dunne isbn 9781780281148 from amazon s book store everyday low prices and free delivery on eligible orders carl jung wounded healer of the soul amazon co uk claire dunne 9781780281148 books

carl jung wounded healer of the soul amazon com - May 30 2023

web nov 24 2015 claire dunne carl jung wounded healer of the soul kindle edition by claire dunne author format kindle edition 4 4 116 ratings see all formats and editions kindle 10 99 read with our free app hardcover 38 16 6 used from 34 52

[carl jung wounded healer of the soul an illustrated biography](#) - Jan 26 2023

web carl jung wounded healer of the soul is a spiritual biography of one of the most important figures of the twentieth century a man whose ideas revolutionized modern psychology

carl jung wounded healer of the soul hardback waterstones - Mar 16 2022

web may 10 2012 this is an essential book for everyone interested in psychology spirituality and personal development publisher watkins media limited isbn 9781780281148 dimensions 234 x 153 mm buy carl jung wounded healer of the soul by claire dunne from waterstones today click and collect from your local waterstones or get free uk

[carl jung wounded healer of the soul an illustrated biography goodreads](#) - Sep 02 2023

web nov 1 2000 carl jung wounded healer of the soul is a spiritual biography of one of the most important figures of the twentieth century a man whose ideas revolutionized modern psychology

[claire dunne carl jung wounded healer of the soul youtube](#) - Feb 12 2022

web claire dunne is an author broadcaster and producer who has lectured around the world on carl jung and many other subjects her diverse career in radio tele

[carl jung wounded healer of the soul barnes noble](#) - May 18 2022

web nov 17 2015 people who knew jung testify that he was a living example of his own psychology at once human fallible and great he lived in two worlds earth rooted and spiritually centered both lives outer and inner he saw as the natural state of realized humanity jung s work reflects his life

carl jung wounded healer of the soul an illustrated biography - Apr 28 2023

web may 1 2012 hardcover 13 51 14 used from 13 51 2 new from 73 01 this is the first fully illustrated biography of one of the greatest thinkers of the 20th century famous for his pioneering exploration of dreams the unconscious and spirituality

carl jung wounded healer of the soul an illustrated biography - Oct 23 2022

web carl jung wounded healer of the soul is a spiritual biography of one of the most important figures of the twentieth century a man whose ideas revolutionized modern psychology through over 150 full color and black and white illustrations including rare photographs and never before seen artwork by jung himself his life and work comes

carl jung wounded healer of the soul an illustrated biography - Feb 24 2023

web carl jung wounded healer of the soul an illustrated biography claire dunne continuum 2000 jungian psychology 237 pages

carl jung wounded healer of the soul google books - Jun 30 2023

web claire dunne watkins media limited 2012 jung c g carl gustav 1875 1961 272 pages this is the first fully illustrated biography of one of the greatest thinkers of the 20th century

claire dunne carl jung wounded healer of the soul one for - Jun 18 2022

web dec 6 2015 claire dunne carl jung wounded healer of the soul one for the jungsters book review the book follows his life and work with extensive and pertinent quotes from his own letters diaries his

carl jung wounded healer of the soul an illustrated biography - Aug 21 2022

web nov 1 2004 carl jung wounded healer of the soul is a spiritual biography of one of the most important figures of the twentieth century a man whose ideas revolutionized modern psychology through over 150 full color and black and white illustrations including rare photographs and never before seen artwork by jung himself his life and work comes

carl jung wounded healer of the soul kindle edition - Sep 21 2022

web the first fully illustrated biography of carl jung the great 20th century thinker famous for his pioneering exploration of dreams consciousness and spirituality in psychology carl jung continues to be revered today as a true revolutionary who helped to shape psychology provided a bridge between western and eastern spirituality and brought

carl jung wounded healer of the soul an illustrated biography - Aug 01 2023

web oct 26 2021 carl jung wounded healer of the soul an illustrated biography bookreader item preview remove circle share or embed this item share to twitter share to facebook share to reddit share to tumblr share to pinterest jung c g 1875 1961

jung carl g jung c g carl gustav 1875 1961

carl jung wounded healer of the soul an illustrated biography - Mar 28 2023

web jul 1 2002 carl jung wounded healer of the soul an illustrated biography claire dunne continuum jul 1 2002 jungian psychology 237 pages this biography of carl jung provides a glimpse into a

carl jung wounded healer of the soul kağıt kapak - Jul 20 2022

web arama yapmak istediğiniz kategoriye seçin

wounded healer wikipedia - Dec 25 2022

web mythological origins in greek mythology the centaur chiron was a wounded healer after being poisoned with an incurable wound by one of hercules s arrows 5 6 jung mentioned the chiron myth wounding by one s own arrow means first of all the state of introversion 7 8

carl jung wounded healer of the soul google books - Oct 03 2023

web nov 17 2015 carl jung wounded healer of the soul claire dunne watkins media limited nov 17 2015 biography autobiography 272 pages the first fully illustrated biography of carl jung the great

carl jung wounded healer of the soul paperback amazon ca - Apr 16 2022

web jung emerges as a healer whose skills arose from having first attended to the wounds in his own soul this is an essential work of reference as well as a fascinating and entertaining read for everyone interested in psychology spirituality and personal development read more print length 272 pages