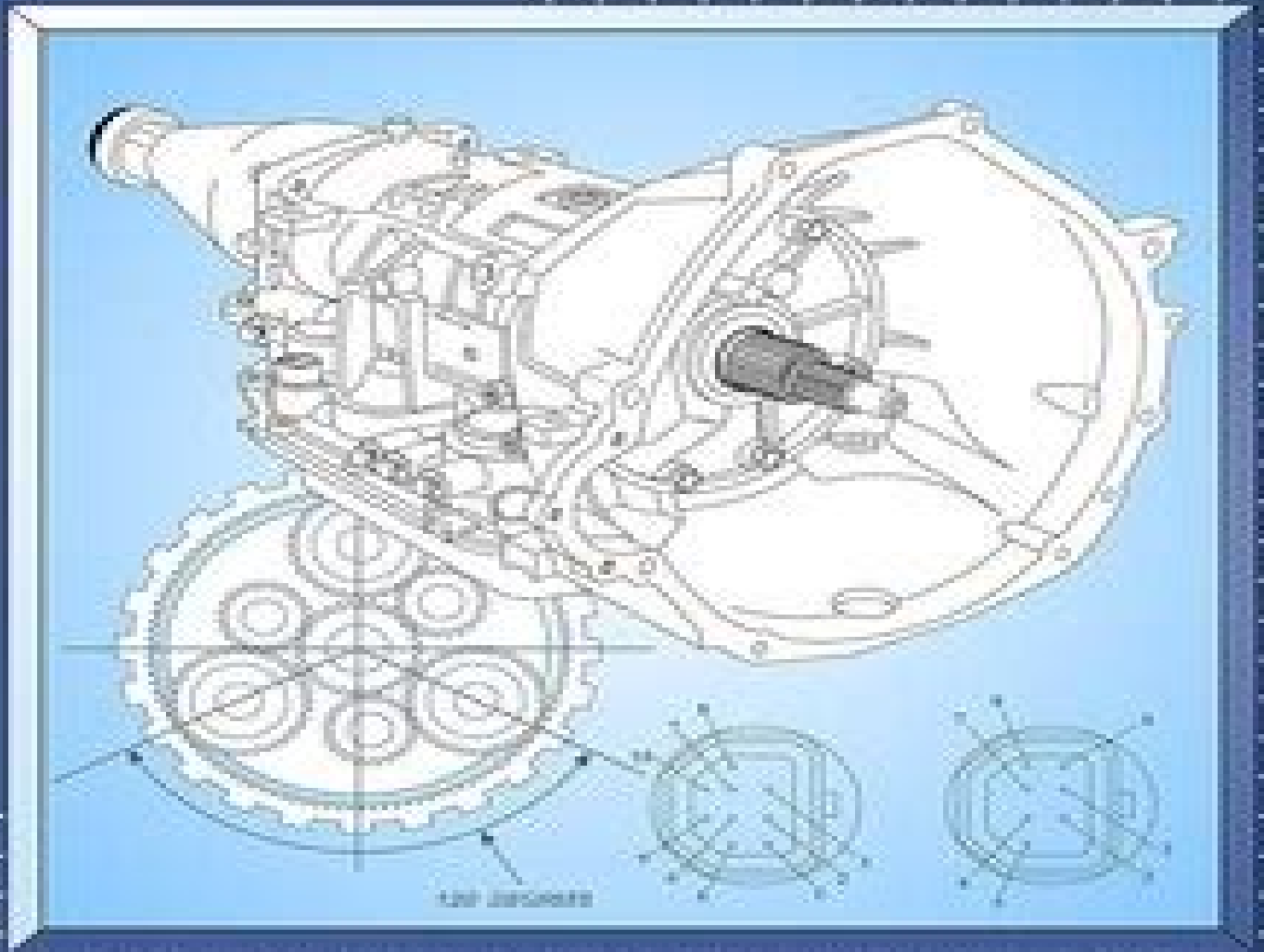


POB



Aode Service Manual

SJ Ball



Aode Service Manual:

This Enthralling Realm of Kindle Books: A Thorough Guide Revealing the Pros of E-book Books: A World of Ease and Versatility Kindle books, with their inherent mobility and simplicity of access, have freed readers from the constraints of physical books. Gone are the days of lugging cumbersome novels or meticulously searching for specific titles in bookstores. Kindle devices, sleek and portable, effortlessly store an extensive library of books, allowing readers to indulge in their preferred reads anytime, anywhere. Whether commuting on a bustling train, relaxing on a sun-kissed beach, or simply cozying up in bed, Kindle books provide an unparalleled level of convenience. A Reading World Unfolded: Discovering the Wide Array of E-book Aode Service Manual Aode Service Manual The E-book Store, a digital treasure trove of bookish gems, boasts an wide collection of books spanning varied genres, catering to every readers preference and preference. From gripping fiction and mind-stimulating non-fiction to timeless classics and contemporary bestsellers, the E-book Shop offers an unparalleled abundance of titles to discover. Whether seeking escape through immersive tales of fantasy and adventure, diving into the depths of past narratives, or expanding ones understanding with insightful works of scientific and philosophy, the Kindle Shop provides a gateway to a literary world brimming with endless possibilities. A Revolutionary Factor in the Literary Scene: The Persistent Impact of E-book Books Aode Service Manual The advent of Kindle books has certainly reshaped the literary scene, introducing a paradigm shift in the way books are published, distributed, and read. Traditional publishing houses have embraced the online revolution, adapting their approaches to accommodate the growing need for e-books. This has led to a rise in the accessibility of Kindle titles, ensuring that readers have access to a wide array of literary works at their fingertips. Moreover, E-book books have democratized access to literature, breaking down geographical limits and providing readers worldwide with similar opportunities to engage with the written word. Regardless of their location or socioeconomic background, individuals can now engross themselves in the captivating world of books, fostering a global community of readers. Conclusion: Embracing the E-book Experience Aode Service Manual E-book books Aode Service Manual, with their inherent ease, versatility, and vast array of titles, have undoubtedly transformed the way we encounter literature. They offer readers the liberty to explore the limitless realm of written expression, whenever, everywhere. As we continue to navigate the ever-evolving digital scene, E-book books stand as testament to the enduring power of storytelling, ensuring that the joy of reading remains accessible to all.

https://stats.tinkerine.com/public/virtual-library/fetch.php/and_notetaking_guide_physical_science_notes.pdf

Table of Contents Aode Service Manual

1. Understanding the eBook Aode Service Manual
 - The Rise of Digital Reading Aode Service Manual
 - Advantages of eBooks Over Traditional Books
2. Identifying Aode Service Manual
 - Exploring Different Genres
 - Considering Fiction vs. Non-Fiction
 - Determining Your Reading Goals
3. Choosing the Right eBook Platform
 - Popular eBook Platforms
 - Features to Look for in an Aode Service Manual
 - User-Friendly Interface
4. Exploring eBook Recommendations from Aode Service Manual
 - Personalized Recommendations
 - Aode Service Manual User Reviews and Ratings
 - Aode Service Manual and Bestseller Lists
5. Accessing Aode Service Manual Free and Paid eBooks
 - Aode Service Manual Public Domain eBooks
 - Aode Service Manual eBook Subscription Services
 - Aode Service Manual Budget-Friendly Options
6. Navigating Aode Service Manual eBook Formats
 - ePub, PDF, MOBI, and More
 - Aode Service Manual Compatibility with Devices
 - Aode Service Manual Enhanced eBook Features
7. Enhancing Your Reading Experience
 - Adjustable Fonts and Text Sizes of Aode Service Manual
 - Highlighting and Note-Taking Aode Service Manual
 - Interactive Elements Aode Service Manual
8. Staying Engaged with Aode Service Manual

- Joining Online Reading Communities
 - Participating in Virtual Book Clubs
 - Following Authors and Publishers Aode Service Manual
9. Balancing eBooks and Physical Books Aode Service Manual
- Benefits of a Digital Library
 - Creating a Diverse Reading Collection Aode Service Manual
10. Overcoming Reading Challenges
- Dealing with Digital Eye Strain
 - Minimizing Distractions
 - Managing Screen Time
11. Cultivating a Reading Routine Aode Service Manual
- Setting Reading Goals Aode Service Manual
 - Carving Out Dedicated Reading Time
12. Sourcing Reliable Information of Aode Service Manual
- Fact-Checking eBook Content of Aode Service Manual
 - Distinguishing Credible Sources
13. Promoting Lifelong Learning
- Utilizing eBooks for Skill Development
 - Exploring Educational eBooks
14. Embracing eBook Trends
- Integration of Multimedia Elements
 - Interactive and Gamified eBooks

Aode Service Manual Introduction

In the digital age, access to information has become easier than ever before. The ability to download Aode Service Manual has revolutionized the way we consume written content. Whether you are a student looking for course material, an avid reader searching for your next favorite book, or a professional seeking research papers, the option to download Aode Service Manual has opened up a world of possibilities. Downloading Aode Service Manual provides numerous advantages over physical copies of books and documents. Firstly, it is incredibly convenient. Gone are the days of carrying around heavy textbooks or bulky folders filled with papers. With the click of a button, you can gain immediate access to valuable resources

on any device. This convenience allows for efficient studying, researching, and reading on the go. Moreover, the cost-effective nature of downloading Aode Service Manual has democratized knowledge. Traditional books and academic journals can be expensive, making it difficult for individuals with limited financial resources to access information. By offering free PDF downloads, publishers and authors are enabling a wider audience to benefit from their work. This inclusivity promotes equal opportunities for learning and personal growth. There are numerous websites and platforms where individuals can download Aode Service Manual. These websites range from academic databases offering research papers and journals to online libraries with an expansive collection of books from various genres. Many authors and publishers also upload their work to specific websites, granting readers access to their content without any charge. These platforms not only provide access to existing literature but also serve as an excellent platform for undiscovered authors to share their work with the world. However, it is essential to be cautious while downloading Aode Service Manual. Some websites may offer pirated or illegally obtained copies of copyrighted material. Engaging in such activities not only violates copyright laws but also undermines the efforts of authors, publishers, and researchers. To ensure ethical downloading, it is advisable to utilize reputable websites that prioritize the legal distribution of content. When downloading Aode Service Manual, users should also consider the potential security risks associated with online platforms. Malicious actors may exploit vulnerabilities in unprotected websites to distribute malware or steal personal information. To protect themselves, individuals should ensure their devices have reliable antivirus software installed and validate the legitimacy of the websites they are downloading from. In conclusion, the ability to download Aode Service Manual has transformed the way we access information. With the convenience, cost-effectiveness, and accessibility it offers, free PDF downloads have become a popular choice for students, researchers, and book lovers worldwide. However, it is crucial to engage in ethical downloading practices and prioritize personal security when utilizing online platforms. By doing so, individuals can make the most of the vast array of free PDF resources available and embark on a journey of continuous learning and intellectual growth.

FAQs About Aode Service Manual Books

What is a Aode Service Manual PDF? A PDF (Portable Document Format) is a file format developed by Adobe that preserves the layout and formatting of a document, regardless of the software, hardware, or operating system used to view or print it. **How do I create a Aode Service Manual PDF?** There are several ways to create a PDF: Use software like Adobe Acrobat, Microsoft Word, or Google Docs, which often have built-in PDF creation tools. Print to PDF: Many applications and operating systems have a "Print to PDF" option that allows you to save a document as a PDF file instead of printing it on paper. Online converters: There are various online tools that can convert different file types to PDF. **How do I**

edit a Aode Service Manual PDF? Editing a PDF can be done with software like Adobe Acrobat, which allows direct editing of text, images, and other elements within the PDF. Some free tools, like PDFescape or Smallpdf, also offer basic editing capabilities. **How do I convert a Aode Service Manual PDF to another file format?** There are multiple ways to convert a PDF to another format: Use online converters like Smallpdf, Zamzar, or Adobe Acrobats export feature to convert PDFs to formats like Word, Excel, JPEG, etc. Software like Adobe Acrobat, Microsoft Word, or other PDF editors may have options to export or save PDFs in different formats. **How do I password-protect a Aode Service Manual PDF?** Most PDF editing software allows you to add password protection. In Adobe Acrobat, for instance, you can go to "File" -> "Properties" -> "Security" to set a password to restrict access or editing capabilities. Are there any free alternatives to Adobe Acrobat for working with PDFs? Yes, there are many free alternatives for working with PDFs, such as: LibreOffice: Offers PDF editing features. PDFsam: Allows splitting, merging, and editing PDFs. Foxit Reader: Provides basic PDF viewing and editing capabilities. How do I compress a PDF file? You can use online tools like Smallpdf, ILovePDF, or desktop software like Adobe Acrobat to compress PDF files without significant quality loss. Compression reduces the file size, making it easier to share and download. Can I fill out forms in a PDF file? Yes, most PDF viewers/editors like Adobe Acrobat, Preview (on Mac), or various online tools allow you to fill out forms in PDF files by selecting text fields and entering information. Are there any restrictions when working with PDFs? Some PDFs might have restrictions set by their creator, such as password protection, editing restrictions, or print restrictions. Breaking these restrictions might require specific software or tools, which may or may not be legal depending on the circumstances and local laws.

Find Aode Service Manual :

and notetaking guide physical science notes

anatomy of attitudes

ancient peoples of the american southwest second edition ancient peoples and places

[an unexpected match between two worlds](#)

ancient peoples of the great basin and colorado plateau

analyzing cultures an introduction and handbook advances in semiotics

and god said an absurd tale of love power and paperwork

ancient rome rise roman republic

analysing 20th century history units

anarchists in the spanish revolution

analog communication circuit design with simulink manual

analytical methods determining iii ions

anatolia home eternity marc waelkens

analysis introduction proof steven lay

analysis of taste and aroma analysis of taste and aroma

Aode Service Manual :

grand atlas 2020 comprendre le monde en 100 cartes - Jun 05 2023

web grand atlas 2020 comprendre le monde en 100 cartes taschenbuch illustriert 28 august 2019 französisch ausgabe von frank tétart herausgeber collectif autor cécile marin cartographe 4 4 47 sternebewertungen alle formate und editionen anzeigen taschenbuch 19 90 6 gebraucht ab 3 49 2 neu ab 19 90

l ouvrage incontournable pour comprendre le monde radio - Oct 29 2022

web plus de 100 cartes inédites et mises à jour et 50 infographies et documents pour un tour d horizon complet des grands enjeux internationaux les points chauds moyen orient taiwan ukraine les grands enjeux pour 2024 jo accès aux ressources retour sur l histoire les événements qui résonnent encore aujourd hui et demain

grand atlas comprendre le monde en 200 cartes atlas monde - Nov 29 2022

web grand atlas comprendre le monde en 200 cartes atlas monde broché illustré 6 septembre 2017 de collectif auteur frank tétart auteur 4 1 11 évaluations afficher tous les formats et éditions broché 2 49 13 autres d occasion il y a une édition plus récente de cet article grand atlas 2022 19 90 64 en stock

grand atlas 2020 comprendre le monde en 100 cartes atlas monde - Oct 09 2023

web grand atlas 2020 comprendre le monde en 100 cartes atlas monde collectif amazon com tr kitap Çerez tercihlerinizi seçin Çerez bildirimimizde ayrıntılı şekilde açıklandığı üzere alışveriş yapmanızı sağlamak alışveriş deneyiminizi iyileştirmek ve hizmetlerimizi sunmak için gerekli olan çerezleri ve benzer

grand atlas comprendre le monde en 100 cartes grand - Apr 03 2023

web aug 28 2019 grand atlas comprendre le monde en 100 cartes de frank tétart collection atlas monde livraison gratuite à 0 01 dès 35 d achat librairie decitre votre prochain livre est là apparemment javascript est désactivé sur votre navigateur

grand atlas 2020 comprendre le monde en 100 cartes fnac - Aug 07 2023

web résumé un ouvrage indispensable pour comprendre le monde plus de 100 cartes inédites et mises à jour un tour d horizon complet des grands enjeux internationaux en partenariat avec courrier international et france info caractéristiques voir tout date de parution 28 08 2019 editeur autrement collection atlas monde nombre de pages 144

grand atlas 2020 comprendre le monde en 100 cartes - Sep 08 2023

web frank tétart grand atlas 2020 comprendre le monde en 100 cartes broché grand livre 28 août 2019 de collectif auteur frank tétart auteur 4 4 49 évaluations afficher tous les formats et éditions

grand atlas comprendre le monde en 100 cartes ftp dartgo - Mar 22 2022

web grand atlas 2016 comprendre le monde en 200 cartes hatier un outil indispensable pour comprendre où va le monde un panorama géopolitique complet et à jour 200 cartes et plus de 80 infographies un dossier spécial la france dans le monde

grand atlas 2018 le gerfaut atlas numérique optimisé pour une lecture sur tablette

grand atlas 2019 comprendre le monde en 200 cartes - Dec 31 2022

web 19 90 62 en stock un outil indispensable pour comprendre le monde plus de 200 cartes inédites et mises à jour un tour d horizon complet des grands enjeux géopolitiques internationaux l actualité vue par la presse du monde entier en partenariat avec courrier international et franceinfo au sommaire i les grands enjeux géopolitiques

grand atlas 2020 comprendre le monde en 100 cartes frank - Mar 02 2023

web découvrez et achetez grand atlas 2020 comprendre le monde en 100 ca frank tétart cécile marin autrement sur libraiarielafemmerenard fr un ouvrage indispensable pour comprendre le monde plus de 100 cartes inédites et mises à jour un tour d horizon complet des grands enjeux internationaux

grand atlas comprendre le monde en 200 cartes grand - Feb 18 2022

web sep 5 2018 grand atlas comprendre le monde en 200 cartes grand format edition 2019 frank tétart cécile marin cartographe collectif note moyenne donner le premier avis extrait un outil indispensable pour comprendre le monde plus de 200 cartes inédites et mises à jour un tour d horizon complet des grands enjeux internationaux lire la suite

atlas mondial 100 cartes pour comprendre le monde - Sep 27 2022

web 100 cartes pour comprendre les enjeux du monde atlas mondial 100 cartes pour comprendre le monde d aujourd'hui thomas snégaroff ellipses des milliers de livres avec la livraison chez vous en 1 jour ou en magasin avec 5 de réduction

grand atlas comprendre le monde en 100 cartes amazon it - Jul 26 2022

web scopri grand atlas comprendre le monde en 100 cartes di collectif tétart frank marin cécile spedizione gratuita per i clienti prime e per ordini a partire da 29 spediti da amazon

grand atlas 2019 comprendre le monde en 200 cartes - Aug 27 2022

web un outil indispensable pour comprendre le monde plus de 200 cartes inédites et mises à jour un tour d horizon complet des grands enjeux internationaux l actualité vue par la presse du monde entier en partenariat avec courrier international et franceinfo grand atlas 2019 comprendre le monde en 200 cartes atlas

grand atlas 2018 comprendre le monde en 200 cartes cultura - Apr 22 2022

web grand atlas 2018 comprendre le monde en 200 cartes aux éditions autrement un outil indispensable pour comprendre le

monde un panorama géopolitique complet 200 cartes entièrement mises à jour les événements vus par la presse du **grand atlas 2020 comprendre le monde en 100 cartes** - Feb 01 2023

web auteur collectif isbn 9782746751101 Édition autrement livraison gratuite expédiée en 24h satisfait ou remboursé *grand atlas 2017 comprendre le monde en 200 cartes* - Jun 24 2022

web 19 90 60 en stock un outil indispensable pour comprendre le monde un panorama géopolitique complet 200 cartes entièrement mise à jour les événements vus par la presse du monde entier en partenariat avec courrier international et france info nombre de pages de l'édition imprimée 128 pages langue français Éditeur autrement

grand atlas 2020 comprendre le monde en 100 cartes - Jul 06 2023

web aug 28 2019 grand atlas 2020 comprendre le monde en 100 cartes collectif tétart frank on amazon com free shipping on qualifying offers grand atlas 2020 comprendre le monde en 100 cartes

grand atlas 2015 comprendre le monde en 200 cartes - May 24 2022

web grand atlas 2015 comprendre le monde en 200 cartes broché 3 septembre 2014 de frank tétart auteur 10 évaluations afficher tous les formats et éditions broché 3 86 9 d occasion à partir de 3 86 plus de 200 cartes et 80 infographies couvrant la géopolitique l'économie mondiale les ressources les enjeux mondiaux

grand atlas comprendre le monde en 100 cartes decitre - May 04 2023

web aug 27 2019 retrouvez l'ebook grand atlas comprendre le monde en 100 cartes de frank tétart Éditeur autrement format epub librairie decitre votre prochain livre est là grand atlas comprendre le monde en 100 cartes e book epub edition 2020 frank tétart cécile marin cartographe collectif note moyenne

uber die gravitation texte zu den philosophischen copy - Oct 24 2021

web uber die gravitation texte zu den philosophischen is available in our digital library an online access to it is set as public so you can get it instantly our digital library spans in

uber die gravitation texte zu den philosophischen pdf - Jul 01 2022

web right here we have countless ebook uber die gravitation texte zu den philosophischen and collections to check out we additionally find the money for variant

über die gravitation texte zu den philosophischen grundlagen - Apr 10 2023

web über die gravitation texte zu den philosophischen grundlagen der klassischen mechanik text lateinisch deutsch klostermann texte philosophie by isaac newton

Über die gravitation texte zu den philosophischen grundlagen - Mar 09 2023

web Über die gravitation texte zu den philosophischen grundlagen der klassischen mechanik lateinisch und deutsch klostermann texte philosophie von newton isaac

referat gravitation physik newtonsches gravitationsgesetz - Feb 25 2022

web der wunsch die absichten der gestirnsogtheiten rechtzeitig zu erfahren führte zu sorgfältigen aufzeichnungen die über jahrhunderte laufenden beobachtungsreihen

über die gravitation texte zu den philosophischen - Nov 05 2022

web festzuschreiben im spannungsfeld zwischen der anarchischen lust am text roland barthes und der wut des verstehens jochen hörisch behaupten sich die lektüren die als verstehensangebote der vieldeutigkeit literarischer werke durch analysen von form und inhalt zur sichtbarkeit verhelfen wollen ohne ihnen den atem

über die gravitation texte zu den philosophischen grundlagen - Aug 02 2022

web gravitation über die gravitation texte zu den philosophischen was ist die welt zur philosophischen interpretation der wissenschaftliche kommentare zu griechischen

über die gravitation texte zu den philosophischen pdf - Aug 14 2023

web über die gravitation texte zu den philosophischen hermes oder kritisches jahrbuch der literatur may 02 2020 versuch die dunklen und versteckten geheimnisse in den

zitate über gravitation zitate berühmter personen - May 11 2023

web die interessantesten zitate über gravitation von autoren aus der ganzen welt eine auswahl von humorvoll inspirierend und motivierend zitate über gravitation

über die gravitation texte zu den philosophischen pdf - Dec 06 2022

web mar 21 2023 über die gravitation texte zu den philosophischen 2 13 downloaded from uniport edu ng on march 21 2023 by guest logik der imagination john sallis 2019 09 10

über die gravitation texte zu den philosophischen pdf - Sep 22 2021

web jun 25 2023 über die gravitation texte zu den philosophischen 2 9 downloaded from uniport edu ng on june 25 2023 by guest naturdenken und handeln das lehr und

über die gravitation texte zu den philosophischen pdf - Sep 03 2022

web jun 12 2023 über die gravitation texte zu den philosophischen 1 10 downloaded from uniport edu ng on june 12 2023 by guest über die gravitation texte zu den

über die gravitation texte zu den philosophischen uniport edu - Dec 26 2021

web may 26 2023 merely said the über die gravitation texte zu den philosophischen is universally compatible with any devices to read das unsterblichkeitsproblem gerda lier

gravitation buch wikipedia - Jan 07 2023

web das buch gravitation behandelt die allgemeine relativitätstheorie von albert einstein das buch gibt einen sehr

umfassenden Überblick über die allgemeine

257ers gravitacion lyrics genius lyrics - Mar 29 2022

web apr 26 2019 gravitacion lyrics songtext zu gravitacion part 1 mike hier fang mal den ball ja aber nein gar nicht so einfach weil er komisch flyt up to the sky sinnbild

uber die gravitation texte zu den philosophischen copy - Apr 29 2022

web jul 29 2023 uber die gravitation texte zu den philosophischen 2 10 downloaded from uniport edu ng on july 29 2023 by guest transzendenten wirklichkeit das bewusstsein

uber die gravitation texte zu den philosophischen pdf - May 31 2022

web mar 9 2023 uber die gravitation texte zu den philosophischen 2 9 downloaded from uniport edu ng on march 9 2023 by guest philosophin grete henry hermann dar die

uber die gravitation texte zu den philosophischen wrbb neu - Feb 08 2023

web uber die gravitation texte zu den philosophischen is available in our digital library an online access to it is set as public so you can get it instantly our digital library spans in

uber die gravitation texte zu den philosophischen 2022 - Jan 27 2022

web blinden sehen wird die katastrophe zu einem ästhetischen erlebnis nicht zuletzt für den zuschauer in ihrer grundlegenden studie legt sophie wengerscheid dar inwiefern von

gravitation zum guten lukas verlag für kunst und - Oct 04 2022

web preis 13 e book kaufen eva von redeckers buch verfolgt in hannah arendts Überlegungen zur moralphilosophie eine zweifache gravitation zum guten

Über die gravitation texte zu den philosophischen grundlagen - Jul 13 2023

web Über die gravitation texte zu den philosophischen grundlagen der klassischen mechanik text lateinisch deutsch klostermann texte philosophie böhme gernot

uber die gravitation texte zu den philosophischen - Nov 24 2021

web uber die gravitation texte zu den philosophischen is available in our book collection an online access to it is set as public so you can get it instantly our digital library hosts in

Über die gravitation texte zu den philosophischen grundlagen - Jun 12 2023

web Über die gravitation texte zu den philosophischen grundlagen der klassischen mechanik text lateinisch deutsch klostermann texte philosophie newton isaac

the dream police selected poems 1969 1993 bookscouter - Jun 02 2022

web dec 31 1994 the dream police selected poems 1969 1993 isbn 9780802115690 0802115691 by cooper dennis buy sell

or rent this book for the best price compare prices on bookscouter

the dream police selected poems 1969 1993 by dennis cooper - Feb 10 2023

web cooper s the dream police is a collection of free verse poetry and short prose written between 1969 1993 the collection is separated into three parts by time period and titled dumb deaf and blind

the dream police selected poems 1969 1993 paperback - Jul 03 2022

web the dream police selected poems 1969 1993 cooper dennis amazon com be books

the dream police selected poems 1969 1993 softcover - Mar 11 2023

web abebooks com the dream police selected poems 1969 1993 9780802134578 by cooper dennis and a great selection of similar new used and collectible books available now at great prices

the dream police selected poems 1969 1993 alibris - Jan 29 2022

web buy the dream police selected poems 1969 1993 by dennis cooper online at alibris we have new and used copies available in 0 edition starting at 12 00 shop now

[the dream police selected poems 1969 1993 google books](#) - Jun 14 2023

web the dream police collects the best poems from five of his previous books and also includes a selection of new works from his darkly erotic early verse to the more refined post punk poems

the dream police selected poems 1969 1993 dennis cooper - Dec 28 2021

web the dream police selected poems 1969 1993 dennis cooper juneteenth celebrating the end of slavery rosen real readers fluency janey levy a history of the highlands and of the highland clans illustrated by a series of portraits and other engravings with a map

[the dream police selected poems 1969 1993 archive org](#) - May 13 2023

web the dream police selected poems 1969 1993 by cooper dennis 1953 publication date 1995 publisher new york grove press collection inlibrary printdisabled internetarchivebooks china

the dream police selected poems 1969 1993 amazon com - Jul 15 2023

web may 10 1996 the dream police collects the best poems from five of his previous books and also includes a selection of new works from his darkly erotic early verse to the more refined post punk poems that led critics to dub him the spokesman for the blank generation to his later experimental pieces cooper s evolving study of the distances

the dream police selected poems 1969 1993 by cooper - Feb 27 2022

web with each new novel dennis cooper s reputation as the most daring and distinctive writer working in america today is cemented to anyone familiar with this writer whom the new york times calls

[the dream police selected poems 1969 1993 worldcat org](#) - Apr 12 2023

web get this from a library the dream police selected poems 1969 1993 dennis cooper bemis flaherty collection of gay poetry
[the dream police selected poems 1969 1993 goodreads](#) - Aug 16 2023

web apr 1 1995 cooper s the dream police is a collection of free verse poetry and short prose written between 1969 1993
the collection is separated into three parts by time period and titled dumb deaf and blind

[the dream police selected poems 1969 1993 abebooks](#) - Jan 09 2023

web abebooks com the dream police selected poems 1969 1993 9780802115690 by cooper dennis and a great selection of
similar new used and collectible books available now at great prices the dream police selected poems 1969 1993 cooper
dennis 9780802115690 abebooks

[dream police selected poems 1969 1993 amazon co uk](#) - Sep 05 2022

web may 10 1996 the dream police collects the best poems from five of his previous books and also includes a selection of
new works from his darkly erotic early verse to the more refined post punk poems to his later experimental pieces cooper s
evolving study of the distances in romantic relationships has made him a singular voice in american poetry

the dream police selected poems 1969 1993 paperback - Nov 07 2022

web may 20 1996 the dream police collects the best poems from five of his previous books and also includes a selection of
new works from his darkly erotic early verse to the more refined post punk poems that led critics to dub him the spokesman
for the blank generation to his later experimental pieces cooper s evolving study of the distances

dream police selected poems 1969 1993 abebooks - Oct 06 2022

web abebooks com dream police selected poems 1969 1993 signed hardcover first edition first printing a selection of the best
poems from this critically acclaimed gay writer s five previous collections as well as several new poems signed on the title
page 134 pp fine in fine dust jacket

[the dream police selected poems 1969 1993 paperback](#) - Dec 08 2022

web may 10 1996 the dream police selected poems 1969 1993 144 by dennis cooper add to wishlist the dream police
selected poems 1969 1993 144 by dennis cooper paperback 11 00 paperback 11 00 ship this item

[the dream police selected poems 1969 1993 alibris](#) - Mar 31 2022

web buy the dream police selected poems 1969 1993 by dennis cooper online at alibris we have new and used copies
available in 2 editions starting at 5 42 shop now

[browse editions for the dream police selected poems 1969 1993](#) - Aug 04 2022

web the dream police selected poems 1969 1993 dennis cooper 144 pages first pub 1995 isbn uid 9780802134578 format
paperback language english publisher grove press publication date 10 may 1996 fiction poetry challenging reflective slow
paced fiction poetry challenging reflective slow paced to read read currently reading

the dream police selected poems 1969 1993 paperback □□ - May 01 2022

web may 10 1996 the dream police collects the best poems from five of his previous books and also includes a selection of new works from his darkly erotic early verse to the more refined post punk poems that led critics to dub him the spokesman for the blank generation to his later experimental pieces cooper s evolving study of the distances