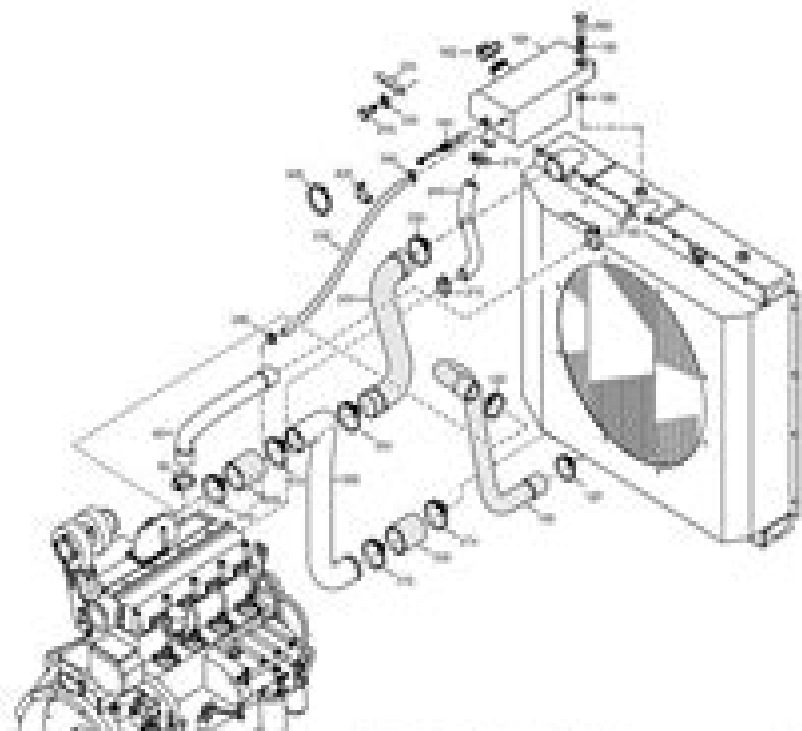


## STANDARD

FRONT LOADING



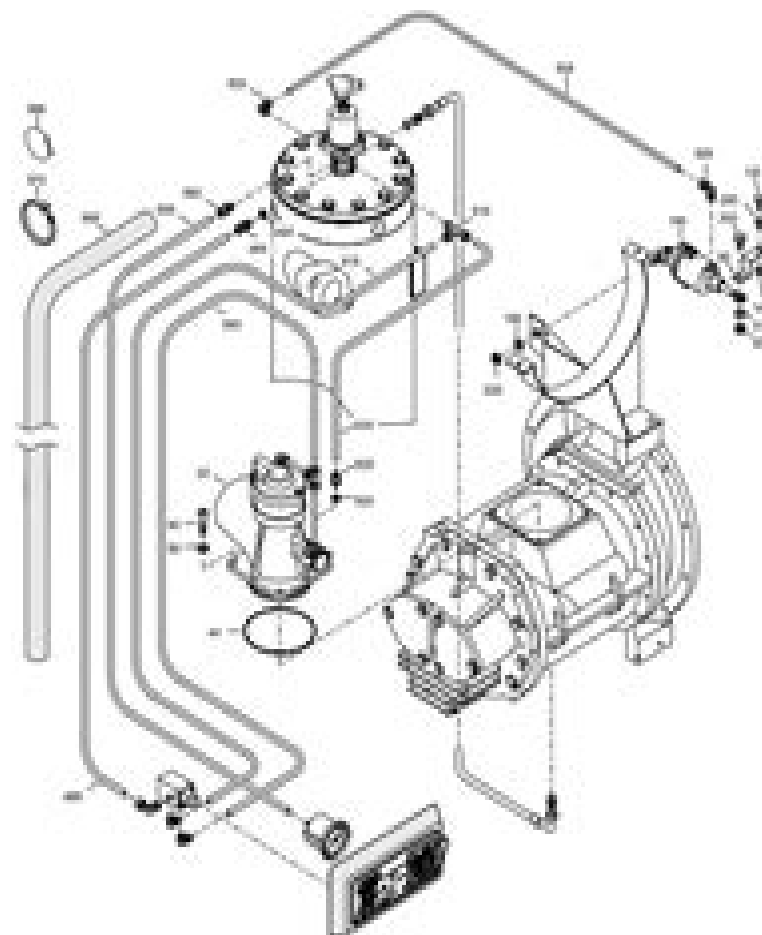
| REF. | REF. NUMBER | DESCRIPTION      | QTY | REF. | REF. NUMBER | DESCRIPTION | QTY |
|------|-------------|------------------|-----|------|-------------|-------------|-----|
| 01   | 100 0110 01 | BOX              | 1   | 30   | 107 010 01  | WIRE CLAMP  | 1   |
| 02   | 107 010 01  | WIRE CLAMP       | 1   | 31   | 101 000 01  | BRACKET     | 1   |
| 03   | 100 0114 01 | WIRE             | 1   | 32   | 100 100 01  | CABLE TIE   | 1   |
| 04   | 107 010 01  | WIRE CLAMP       | 1   |      |             |             |     |
| 05   | 100 0100 01 | TOPWALL          | 1   |      |             |             |     |
| 06   | 101 0010 01 | Adjustable Feet  | 4   |      |             |             |     |
| 07   | 100 0100 01 | LEVEL VENTIL     | 1   |      |             |             |     |
| 08   | 100 1000 01 | FLAT WASHER      | 1   |      |             |             |     |
| 09   | 100 0100 01 | WATER INLET      | 1   |      |             |             |     |
| 10   | 100 0100 01 | BOX              | 1   |      |             |             |     |
| 11   | 107 010 01  | WIRE CLAMP       | 1   |      |             |             |     |
| 12   | 107 010 01  | WIRE CLAMP       | 1   |      |             |             |     |
| 13   | 107 100 01  | WIRE BRACKET     | 1   |      |             |             |     |
| 14   | 100 1000 01 | LOCK WASHER      | 1   |      |             |             |     |
| 15   | 100 1000 01 | LOCK WASHER      | 1   |      |             |             |     |
| 16   | 100 1000 01 | BRACKET          | 1   |      |             |             |     |
| 17   | 107 100 01  | WIRE BRACKET     | 1   |      |             |             |     |
| 18   | 107 010 01  | WIRE CLAMP       | 1   |      |             |             |     |
| 19   | 100 0100 01 | BOX              | 1   |      |             |             |     |
| 20   | 107 010 01  | WIRE CLAMP       | 1   |      |             |             |     |
| 21   | 100 0100 01 | BOX              | 1   |      |             |             |     |
| 22   | 107 010 01  | WIRE CLAMP       | 1   |      |             |             |     |
| 23   | 100 0100 01 | BOX              | 1   |      |             |             |     |
| 24   | 107 010 01  | WIRE CLAMP       | 1   |      |             |             |     |
| 25   | 100 0100 01 | BOX              | 1   |      |             |             |     |
| 26   | 107 010 01  | WIRE CLAMP       | 1   |      |             |             |     |
| 27   | 100 0100 01 | BOX              | 1   |      |             |             |     |
| 28   | 107 010 01  | WIRE CLAMP       | 1   |      |             |             |     |
| 29   | 100 0100 01 | BOX              | 1   |      |             |             |     |
| 30   | 107 010 01  | WIRE CLAMP       | 1   |      |             |             |     |
| 31   | 100 0100 01 | BOX              | 1   |      |             |             |     |
| 32   | 107 010 01  | WIRE CLAMP       | 1   |      |             |             |     |
| 33   | 100 0100 01 | WIRE INTERCOOLER | 1   |      |             |             |     |

REF. 100 1000 01

10

## STANDARD

WASHER DRYER



10

REF. 100 1000 01

# Atlas Copco Generator Service Manual

**K Morrison**



**Atlas Copco Generator Service Manual:**

The book delves into Atlas Copco Generator Service Manual. Atlas Copco Generator Service Manual is a vital topic that needs to be grasped by everyone, from students and scholars to the general public. This book will furnish comprehensive and in-depth insights into Atlas Copco Generator Service Manual, encompassing both the fundamentals and more intricate discussions.

1. The book is structured into several chapters, namely:
  - Chapter 1: Introduction to Atlas Copco Generator Service Manual
  - Chapter 2: Essential Elements of Atlas Copco Generator Service Manual
  - Chapter 3: Atlas Copco Generator Service Manual in Everyday Life
  - Chapter 4: Atlas Copco Generator Service Manual in Specific Contexts
  - Chapter 5: Conclusion
2. In chapter 1, this book will provide an overview of Atlas Copco Generator Service Manual. This chapter will explore what Atlas Copco Generator Service Manual is, why Atlas Copco Generator Service Manual is vital, and how to effectively learn about Atlas Copco Generator Service Manual.
3. In chapter 2, the author will delve into the foundational concepts of Atlas Copco Generator Service Manual. This chapter will elucidate the essential principles that need to be understood to grasp Atlas Copco Generator Service Manual in its entirety.
4. In chapter 3, this book will examine the practical applications of Atlas Copco Generator Service Manual in daily life. The third chapter will showcase real-world examples of how Atlas Copco Generator Service Manual can be effectively utilized in everyday scenarios.
5. In chapter 4, this book will scrutinize the relevance of Atlas Copco Generator Service Manual in specific contexts. The fourth chapter will explore how Atlas Copco Generator Service Manual is applied in specialized fields, such as education, business, and technology.
6. In chapter 5, the author will draw a conclusion about Atlas Copco Generator Service Manual. This chapter will summarize the key points that have been discussed throughout the book.

This book is crafted in an easy-to-understand language and is complemented by engaging illustrations. This book is highly recommended for anyone seeking to gain a comprehensive understanding of Atlas Copco Generator Service Manual.

<https://stats.tinkerine.com/files/detail/Documents/Bx%2014%20Manual%20Servis.pdf>

## **Table of Contents Atlas Copco Generator Service Manual**

1. Understanding the eBook Atlas Copco Generator Service Manual
  - The Rise of Digital Reading Atlas Copco Generator Service Manual
  - Advantages of eBooks Over Traditional Books
2. Identifying Atlas Copco Generator Service Manual
  - Exploring Different Genres
  - Considering Fiction vs. Non-Fiction
  - Determining Your Reading Goals
3. Choosing the Right eBook Platform
  - Popular eBook Platforms
  - Features to Look for in an Atlas Copco Generator Service Manual
  - User-Friendly Interface
4. Exploring eBook Recommendations from Atlas Copco Generator Service Manual
  - Personalized Recommendations
  - Atlas Copco Generator Service Manual User Reviews and Ratings
  - Atlas Copco Generator Service Manual and Bestseller Lists
5. Accessing Atlas Copco Generator Service Manual Free and Paid eBooks
  - Atlas Copco Generator Service Manual Public Domain eBooks
  - Atlas Copco Generator Service Manual eBook Subscription Services
  - Atlas Copco Generator Service Manual Budget-Friendly Options
6. Navigating Atlas Copco Generator Service Manual eBook Formats
  - ePub, PDF, MOBI, and More
  - Atlas Copco Generator Service Manual Compatibility with Devices
  - Atlas Copco Generator Service Manual Enhanced eBook Features
7. Enhancing Your Reading Experience
  - Adjustable Fonts and Text Sizes of Atlas Copco Generator Service Manual
  - Highlighting and Note-Taking Atlas Copco Generator Service Manual
  - Interactive Elements Atlas Copco Generator Service Manual

8. Staying Engaged with Atlas Copco Generator Service Manual
  - Joining Online Reading Communities
  - Participating in Virtual Book Clubs
  - Following Authors and Publishers Atlas Copco Generator Service Manual
9. Balancing eBooks and Physical Books Atlas Copco Generator Service Manual
  - Benefits of a Digital Library
  - Creating a Diverse Reading Collection Atlas Copco Generator Service Manual
10. Overcoming Reading Challenges
  - Dealing with Digital Eye Strain
  - Minimizing Distractions
  - Managing Screen Time
11. Cultivating a Reading Routine Atlas Copco Generator Service Manual
  - Setting Reading Goals Atlas Copco Generator Service Manual
  - Carving Out Dedicated Reading Time
12. Sourcing Reliable Information of Atlas Copco Generator Service Manual
  - Fact-Checking eBook Content of Atlas Copco Generator Service Manual
  - Distinguishing Credible Sources
13. Promoting Lifelong Learning
  - Utilizing eBooks for Skill Development
  - Exploring Educational eBooks
14. Embracing eBook Trends
  - Integration of Multimedia Elements
  - Interactive and Gamified eBooks

### **Atlas Copco Generator Service Manual Introduction**

In the digital age, access to information has become easier than ever before. The ability to download Atlas Copco Generator Service Manual has revolutionized the way we consume written content. Whether you are a student looking for course material, an avid reader searching for your next favorite book, or a professional seeking research papers, the option to download Atlas Copco Generator Service Manual has opened up a world of possibilities. Downloading Atlas Copco Generator Service Manual provides numerous advantages over physical copies of books and documents. Firstly, it is incredibly

convenient. Gone are the days of carrying around heavy textbooks or bulky folders filled with papers. With the click of a button, you can gain immediate access to valuable resources on any device. This convenience allows for efficient studying, researching, and reading on the go. Moreover, the cost-effective nature of downloading Atlas Copco Generator Service Manual has democratized knowledge. Traditional books and academic journals can be expensive, making it difficult for individuals with limited financial resources to access information. By offering free PDF downloads, publishers and authors are enabling a wider audience to benefit from their work. This inclusivity promotes equal opportunities for learning and personal growth. There are numerous websites and platforms where individuals can download Atlas Copco Generator Service Manual. These websites range from academic databases offering research papers and journals to online libraries with an expansive collection of books from various genres. Many authors and publishers also upload their work to specific websites, granting readers access to their content without any charge. These platforms not only provide access to existing literature but also serve as an excellent platform for undiscovered authors to share their work with the world. However, it is essential to be cautious while downloading Atlas Copco Generator Service Manual. Some websites may offer pirated or illegally obtained copies of copyrighted material. Engaging in such activities not only violates copyright laws but also undermines the efforts of authors, publishers, and researchers. To ensure ethical downloading, it is advisable to utilize reputable websites that prioritize the legal distribution of content. When downloading Atlas Copco Generator Service Manual, users should also consider the potential security risks associated with online platforms. Malicious actors may exploit vulnerabilities in unprotected websites to distribute malware or steal personal information. To protect themselves, individuals should ensure their devices have reliable antivirus software installed and validate the legitimacy of the websites they are downloading from. In conclusion, the ability to download Atlas Copco Generator Service Manual has transformed the way we access information. With the convenience, cost-effectiveness, and accessibility it offers, free PDF downloads have become a popular choice for students, researchers, and book lovers worldwide. However, it is crucial to engage in ethical downloading practices and prioritize personal security when utilizing online platforms. By doing so, individuals can make the most of the vast array of free PDF resources available and embark on a journey of continuous learning and intellectual growth.

## **FAQs About Atlas Copco Generator Service Manual Books**

1. Where can I buy Atlas Copco Generator Service Manual books? Bookstores: Physical bookstores like Barnes & Noble, Waterstones, and independent local stores. Online Retailers: Amazon, Book Depository, and various online bookstores offer a wide range of books in physical and digital formats.

2. What are the different book formats available? Hardcover: Sturdy and durable, usually more expensive. Paperback: Cheaper, lighter, and more portable than hardcovers. E-books: Digital books available for e-readers like Kindle or software like Apple Books, Kindle, and Google Play Books.
3. How do I choose a Atlas Copco Generator Service Manual book to read? Genres: Consider the genre you enjoy (fiction, non-fiction, mystery, sci-fi, etc.). Recommendations: Ask friends, join book clubs, or explore online reviews and recommendations. Author: If you like a particular author, you might enjoy more of their work.
4. How do I take care of Atlas Copco Generator Service Manual books? Storage: Keep them away from direct sunlight and in a dry environment. Handling: Avoid folding pages, use bookmarks, and handle them with clean hands. Cleaning: Gently dust the covers and pages occasionally.
5. Can I borrow books without buying them? Public Libraries: Local libraries offer a wide range of books for borrowing. Book Swaps: Community book exchanges or online platforms where people exchange books.
6. How can I track my reading progress or manage my book collection? Book Tracking Apps: Goodreads, LibraryThing, and Book Catalogue are popular apps for tracking your reading progress and managing book collections. Spreadsheets: You can create your own spreadsheet to track books read, ratings, and other details.
7. What are Atlas Copco Generator Service Manual audiobooks, and where can I find them? Audiobooks: Audio recordings of books, perfect for listening while commuting or multitasking. Platforms: Audible, LibriVox, and Google Play Books offer a wide selection of audiobooks.
8. How do I support authors or the book industry? Buy Books: Purchase books from authors or independent bookstores. Reviews: Leave reviews on platforms like Goodreads or Amazon. Promotion: Share your favorite books on social media or recommend them to friends.
9. Are there book clubs or reading communities I can join? Local Clubs: Check for local book clubs in libraries or community centers. Online Communities: Platforms like Goodreads have virtual book clubs and discussion groups.
10. Can I read Atlas Copco Generator Service Manual books for free? Public Domain Books: Many classic books are available for free as they're in the public domain. Free E-books: Some websites offer free e-books legally, like Project Gutenberg or Open Library.

## **Find Atlas Copco Generator Service Manual :**

**bx 14 manual servis**

**bx 4tc for sale**



**bwmm interracial romance collection 6**

~~bx digital v2 mono manual~~

~~bx hybrid v2 manual 130821 plugin alliance~~

~~bwt water manual~~

~~bwmm interracial romance collection 1 volume 1~~

~~bwmm beyond the love was more hidden love bwmm romance short story~~

~~bx hybrid native rtas vst au manual~~

**bx hybrid manual brainworx**

**bwmm interracial romance collection 1**

**bwmm romance the love doctor a clean bwmm interracial romance**

~~bx limiter manual en 20150928 plugin alliance~~

~~bx control v2 manual brainworx~~

**bwmm paranormal erotica the seductions of doctor moreno book 1**

**Atlas Copco Generator Service Manual :**

**amazing math puzzles and mazes 546gk6e86xn8 documents** - Oct 02 2023

web 8 12 153 21 247 43 amazing math puzzles mazes cindi mitchell published by scholastic teaching resources answers all mixed up p 5 1 7 6 6 8 0 5 8 2 3 7 0 0 1 3

**amazing mathematics teaching resources teachers pay** - Jul 19 2022

web mar 6 2023 amazing math puzzles and mazes answer key is available in our book collection an online access to it is set as public so you can download it instantly our

**amazing math puzzles and mazes answer key pdf yearbook** - Apr 27 2023

web mazes lots of mazes to try out can print a maze to do later use arrow keys or click and drag games index puzzle games elementary games number games strategy

**browse printable math maze worksheets education com** - Dec 24 2022

web amazing math puzzles and mazes answer key 1 introduction to math puzzles and mazes math puzzles and mazes are exciting and challenging games book amazing

**amazing math puzzles mazes mitchell cindi archive org** - Sep 01 2023

web urn lcp amazingmathpuzzl0000mitc lcpdf 26886aee 844f 48ca a0bb f0718750f1db urn lcp amazingmathpuzzl0000mitc epub 7604f46c f87e 4723 a407 5e56e10a4a6b

**amazing math puzzles and mazes by pdf hunter and sharer** - Dec 12 2021

web amazing math puzzles mazes cindi mitchell published by scholastic teaching resources ftable of contents introduction 4 basic

**amazing math puzzles and mazes by pdf hunter and sharer** - Oct 22 2022

web integer mazes displaying top 8 worksheets found for this concept some of the worksheets for this concept are amazing math puzzles and mazes number answer number

**results for answer key math maze tpt** - Mar 15 2022

web jul 14 2023 explanation according to the clues given the sum of two triangles is 6 so each triangle s value is 3 the sum of a triangle and a circle is 4 since the triangle s

**integer mazes worksheets kiddy math** - Sep 20 2022

web key features description picture your students multiplying fractions with a smile students sharpen important math skills as they work their way through mazes cross number

mazes and keys math playground - Jun 29 2023

web enter each maze and find your way to the star collect the keys to open locked color coded doors move through the maze with arrow keys wasd keys or touch there are 10

*amazing math puzzles and mazes answer key pdf uniport edu* - Jun 17 2022

web math bafflers book 2 40 fun tabulous puzzles for multiplication division decimals fractions and more mazes and dot to dots grades k 1 totally awesome mazes and

amazingmathpuzzlesandmazesanswerkey 2 telcomanager - May 17 2022

web in order to complete the maze students will have to correctly solve 9 problems please view the preview for an exact picture of what this maze looks like if you are unsure that

**27 super fun maths puzzles for kids with answers momjunction** - Feb 11 2022

web sep 19 2022 2 magic squares magic squares are the basis for the ever popular sudoku math puzzles and they re fantastic learning tools for kids a magic square is made up of

*amazing math puzzles and mazes answer key pdf uniport edu* - Jan 25 2023

web these math mazes keep children engaged while they practice key math skills such as counting to 20 shape identification and simple addition intended for children in the early

puzzles and mazes pdf pdf maze word search scribd - Nov 10 2021

*amazing math puzzles and mazes answer key book best book* - Nov 22 2022

web amazing math puzzles and mazes by pdf hunter and sharer issuu all mixed up math worksheet answer key you ve come to the best location if you re looking for free

**amazing math puzzles and mazes answer key pdf christopher** - Feb 23 2023

web may 28 2023 amazing math puzzles and mazes answer key belong to that we have the funds for here and check out the link you could purchase guide amazing math puzzles

**15 best math tricks and puzzles to wow kids of all ages** - Jan 13 2022

web oct 22 2017 amazing math puzzles amp mazes cindi mitchell published by scholastic teaching resources answers pattern block maze p 13 exponent experts

**krazydad s maze answers krazydad puzzles** - May 29 2023

web amazing math puzzles and mazes answer key pdf yearbook ladieseuropeantour amazing math puzzles and mazes answer key decoding amazing math puzzles

*play mazes online or print them math is fun* - Mar 27 2023

web may 17 2023 mazes answer key pdf can be taken as well as picked to act train your brain logic games insight kids 2021 06 08 make problem solving fun with amazing

**product detail page scholastic** - Aug 20 2022

web browse over 500 educational resources created by amazing mathematics in the official teachers pay teachers store [amazing math puzzles and mazes pdf course hero](#) - Jul 31 2023

web the students spent the afternoon going from one desk to another solving puzzles and enjoying math created by their classmates answers you will find the answers for each

**circumcenter incenter worksheet maze activity tpt** - Apr 15 2022

web fall fun with 8 mazes coloring and math activities this product contains 8 mazes includes 8 answer keys and 8 blank maze templates 24 pages total this

[aplia macroeconomics answer key ch 14 pdf blueskywildlife](#) - Jul 04 2022

web oct 4 2023 this aplia macroeconomics answer key ch 14 pdf as one of the most effective sellers here will entirely be along with the best options to review essentials of economics n gregory mankiw 2012

**aplia answers microeconomics chapter 14 download only** - May 02 2022

web oct 9 2023 aplia answers microeconomics chapter 14 2019 07 30 4 8 aplia answers microeconomics chapter 14 principles of microeconomics 7th edition solutions and answers aug 29 2023 our resource for principles of microeconomics includes answers to chapter exercises as well as detailed

[aplia macroeconomics answer key ch 14 pdf](#) - Nov 08 2022

web 2 aplia macroeconomics answer key ch 14 2022 03 25 example textbook list the text covers classical and keynesian views with a prominent section on the expenditure output model to align to the ap curriculum the book offers a balanced approach to theory and application and presents current examples to students in a politically equitable way

**aplia macroeconomics answer key ch 14 2022** - Oct 07 2022

web if you point to download and install the aplia macroeconomics answer key ch 14 it is no question simple then back currently we extend the partner to buy and create bargains to download and install aplia macroeconomics answer key ch 14 suitably simple aplia macroeconomics answer key ch 14 downloaded from cybersmash io by guest

**aplia macroeconomics answer key ch 14** - Apr 13 2023

web aplia macroeconomics answer key ch 14 recognizing the exaggeration ways to get this book aplia macroeconomics answer key ch 14 is additionally useful you have remained in right site to start getting this info acquire the aplia macroeconomics answer key ch 14 belong to that we manage to pay for here and check out the link

**macroeconomics 14th edition textbook solutions bartleby** - Aug 17 2023

web textbook solutions for macroeconomics 14th edition baumol and others in this series view step by step homework solutions for your homework ask our subject experts for help answering any of your homework questions

**aplia econ blog news for economics students** - Apr 01 2022

web by eugenia belova economists are famous perhaps infamous for disagreeing with each other indeed economists have different views on policies different scientific judgments and different values even economists who share the nobel prize in economics sometimes disagree with each other

**aplia macroeconomics answer key ch 14 copy uniport edu** - Mar 12 2023

web may 16 2023 aplia macroeconomics answer key ch 14 1 9 downloaded from uniport edu ng on may 16 2023 by guest aplia macroeconomics answer key ch 14 eventually you will extremely discover a extra experience and deed by spending more cash yet when realize you undertake that you require to get those every needs later than

**aplia macroeconomics answer key ch 14 2023** - Jul 16 2023

web right here we have countless ebook aplia macroeconomics answer key ch 14 and collections to check out we additionally provide variant types and after that type of the books to browse

*aplia homework help get your aplia answers here sweetstudy* - Jan 10 2023

web online aplia expert economics assignment the table below illustrates values for consumption spending saving and investment in a closed private economy real domestic output gdp di consumption c search our homework answers the answer you are looking for might already be there

**aplia answers macroeconomics my homework help** - Feb 28 2022

web macroeconomics includes the study of varied terms like inflation the rate of growth along with national price levels and changes in unemployment it is a branch of economics that shows the changes in aggregate budgetary there are two broad branches of economics namely macroeconomics and microeconomics macroeconomics studies the overall

[aplia macroeconomics answer key ch 14 pdf pdf](#) - Dec 09 2022

web aplia macroeconomics answer key ch 14 pdf introduction aplia macroeconomics answer key ch 14 pdf pdf title aplia macroeconomics answer key ch 14 pdf pdf isip ovcrd upd edu ph created date 9 13 2023 9 45 47 pm

**aplia macroeconomics answer key ch 14 jmseniorliving** - Jun 15 2023

web principles of macroeconomics mindtap economics printed access card for mankiw s principles of macroeconomics 7th principles of macroeconomics global financial crisis edition macroeconomics aplia macroeconomics answer key ch 14 downloaded from jmseniorliving com by guest mariana felipe principles of macroeconomics asia

**view aplia answer keys cengage** - Oct 19 2023

web click an assignment click view all questions click show answer the correct answer and explanation for question 1 displays to switch questions select a new question from the go to dropdown and click go was this helpful view the correct answers for aplia activities

*view answer keys cengage* - Sep 18 2023

web view the correct answers for activities in the learning path this procedure is for activities that are not provided by an app in the toolbar some mindtap courses contain only activities provided by apps click an activity in the learning path turn on show correct answers view aplia answer keys view the correct answers for aplia activities

**aplia macroeconomics answer key ch 14 domainlookup** - Sep 06 2022

web mar 24 2023 right here we have countless ebook aplia macroeconomics answer key ch 14 and collections to check out we additionally allow variant types and moreover type of the books to browse

*aplia macroeconomics answer key ch 14 nc tmuniverse* - Aug 05 2022

web getting the books aplia macroeconomics answer key ch 14 now is not type of challenging means you could not abandoned going subsequently books heap or library or borrowing from your friends to admission them

[solved chapter 3 problem 11caq solution epack macroeconomics](#) - Feb 11 2023

web access epack macroeconomics private and public choice aplia instant access 14th edition chapter 3 problem 11caq solution now our solutions are written by chegg experts so you can be assured of the highest quality

[aplia macroeconomics answer key ch 14 2023 ceu social](#) - May 14 2023

web aplia macroeconomics answer key ch 14 whispering the techniques of language an mental journey through aplia macroeconomics answer key ch 14 in a digitally driven world where screens reign supreme and immediate interaction

drowns out the subtleties of language the profound secrets and psychological subtleties concealed within phrases

*aplia answers microeconomics chapter 14 pdf* - Jun 03 2022

web oct 11 2023 answer key chapter 14 principles of microeconomics 2e jun 28 2023 14 1 the theory of labor markets 14 2

wages and employment in an imperfectly competitive labor market 14 3 market power on the supply side of labor markets

unions 14 4 bilateral monopoly 14 5 employment discrimination 14 6 immigration key

il mistero del quadro scomparso gli amici di alba uniport edu - May 20 2022

web guides you could enjoy now is il mistero del quadro scomparso gli amici di alba below il mistero del quadro scomparso

fabio maltagliati 2017 03 18 durante la festa del

il mistero del quadro scomparso gli amici di alba download - Mar 18 2022

web il mistero del quadro scomparso gli amici di alba sergej Ščukin l inchiesta du barry misteri pagani mistero cristiano el

tesoro de la isla de la niebla cronovisore il nuovo

*il mistero del quadro scomparso gli amici di alba pdf* - Nov 13 2021

web 2 il mistero del quadro scomparso gli amici di alba 2021 02 01 che l hanno nascosta rubata comprata e riscattata a

beneficio dell umanità intera il mistero del quadro

**il mistero del quadro scomparso gli amici di albarossa vol 2** - Jul 02 2023

web il mistero del quadro scomparso gli amici di albarossa vol 2 e trentuno con la morte jan 02 2021 dopo le celebri indagini

di dante alighieri con questo giallo ingegnoso e

il mistero del quadro scomparso gli amici di alba download - Oct 25 2022

web sherlock holmes e il caso del passeggero scomparso lo strano caso del quadro scomparso panorama la maledizione dello

scettro il segreto dello speciale nuova

**il mistero del quadro scomparso gli amici di alba jmseniorliving** - Aug 23 2022

web ethan e il mistero del ritratto scomparso fatherland il mistero del quadro scomparso gli amici di alba downloaded from

jmseniorliving com by guest ashley cherry

il mistero del quadro scomparso gli amici di alba copy - Jun 20 2022

web il mistero del quadro scomparso gli amici di alba la maledizione dello scettro misteri pagani mistero cristiano sergej

Ščukin cronovisore il nuovo mistero del vaticano la

**il mistero del quadro scomparso gli amici di alba copy mail** - Jul 22 2022

web 2 il mistero del quadro scomparso gli amici di alba 2023 08 31 mondo antico preconizzando l ascesa del cristianesimo

che di fatto può dirsi una loro propaggine si

**il mistero del quadro scomparso gli amici di alba pdf 2023** - Dec 27 2022

web fabio maltagliati 2021 05 08 durante la festa del paese un famoso quadro scompare dalla cassaforte di gaetano il pittore di albarossa e una vera tragedia poiché la sua vendita

**il mistero del quadro scomparso gli amici di alba pdf** - Feb 14 2022

web dell'invasione sovietica racconta il viaggio straordinario di questa sacra immagine miracolosamente salvata da alcuni sacerdoti e soprattutto da un manipolo di donne

*il mistero del quadro scomparso gli amici di alba pdf protese* - Jan 16 2022

web il mistero del quadro scomparso gli amici di alba il dipinto della morte un giallo intimo e leggero di lacey doyle libro 6 fatherland le tre porte il mistero della gioconda la

**il mistero del quadro scomparso gli amici di albarossa vol 2 by** - Jun 01 2023

web montaccianico posts facebook e book il mistero del quadro sparso gli amici di mistero me alidicarta wordpress l'uomo nel quadro susan hill anobii il mistero del quadro

**il mistero del quadro scomparso gli amici di alba pdf dna** - Apr 30 2023

web il mistero del quadro scomparso gli amici di alba 3 3 tra le verdi colline del parmense nuova antologia newton compton editori un quadro nasconde misteri quando

**download solutions il mistero del quadro scomparso gli amici** - Feb 26 2023

web il mistero del quadro scomparso gli amici di alba atti della reale accademia dei piffari di montagna ossia cenno estemporaneo di un cronista del monferrato ms

*il mistero del quadro scomparso gli amici di alba pdf* - Sep 23 2022

web il mistero del quadro scomparso gli amici di alba 1 il mistero del quadro scomparso gli amici di alba il varco infernale iconografia del ss salvatore suor faustina il

**pdf il mistero del quadro scomparso gli amici di albarossa** - Aug 03 2023

web il mistero del quadro scomparso gli amici di albarossa vol 2 diamantide jul 08 2020 le avventure e le indagini dello scanzonato detective privato norman strike che fra le

**il mistero del quadro scomparso gli amici di alba uniport edu** - Apr 18 2022

web sep 29 2023 il mistero del quadro scomparso gli amici di alba 1 6 downloaded from uniport edu ng on september 29 2023 by guest il mistero del quadro scomparso gli

**il mistero del quadro scomparso gli amici di alba copy** - Nov 25 2022

web feb 26 2023 our books subsequent to this one merely said the il mistero del quadro scomparso gli amici di alba is universally compatible gone any devices to read il

**pdf il mistero del quadro scomparso gli amici di albarossa** - Sep 04 2023

web il mistero del quadro scomparso gli amici di albarossa vol 2 collezione dei romanzi storici e poetici di walter scott dec 04 2021 alba rossa oct 14 2022 rätisches

*il mistero del quadro scomparso gli amici di alba full pdf* - Mar 30 2023

web gli amici di eddie coyle dec 11 2022 oct 09 2022 gli amici di valentina apr 15 2023 viaggi di pietro della valle il pellegrino jan 12 2023 my dad s friends gli amici di

**il mistero del quadro scomparso gli amici di alba pdf** - Dec 15 2021

web il mistero del quadro scomparso panorama italia españa europa literaturas comparadas tradiciones y traducciones vol ii il caravaggio scomparso iconografia

**il mistero del quadro scomparso gli amici di albarossa vol 2** - Oct 05 2023

web il mistero del quadro scomparso mar 11 2023 durante la festa del paese un famoso quadro scompare dalla cassaforte di gaetano il pittore di albarossa e una vera tragedia poich la sua vendita sarebbe servita per ricostruire la scuola che ormai cade a pezzi i

il mistero del quadro scomparso gli amici di alba dev awamaki - Jan 28 2023

web 2014 2015 don matteo e il mistero del quadro scomparso il giallo inglese la tragedia di dartmoore terraces audioracconto giallo il mistero del treno italiano che