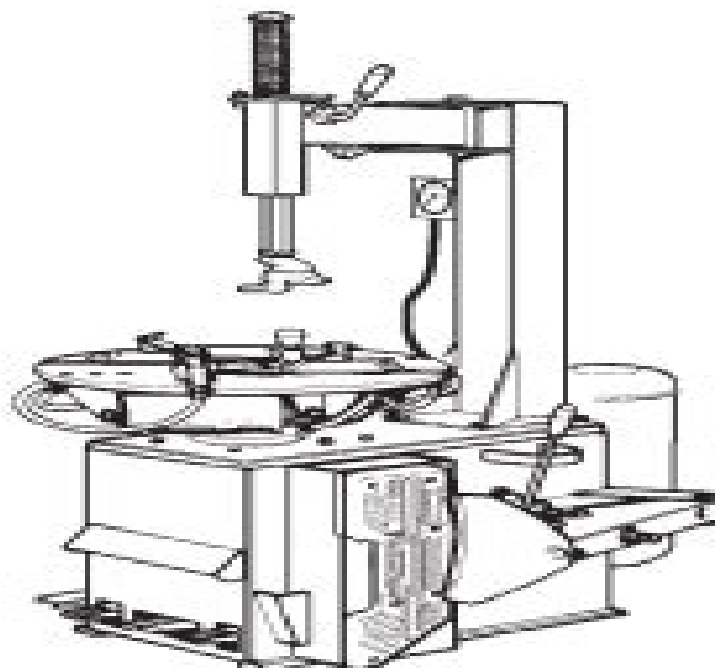


GB

FR



OPERATOR'S MANUAL - SPARE PARTS EXPLODED DRAWINGS
MANUEL DE L'OPÉRATEUR - FIGURES PIÈCES DE RECHANGE



Electric-Air Tire Changer for Car, Light Truck and Motorcycle Wheels
Démonte-pneus Electro-Pneumatique pour roues d'autos, de furgons et de moto

ACCU 3450

Rev. A

Accu Turn 1450 Calibration Manual

D Keegan



Accu Turn 1450 Calibration Manual:

This is likewise one of the factors by obtaining the soft documents of this **Accu Turn 1450 Calibration Manual** by online. You might not require more era to spend to go to the ebook establishment as with ease as search for them. In some cases, you likewise reach not discover the revelation Accu Turn 1450 Calibration Manual that you are looking for. It will unconditionally squander the time.

However below, when you visit this web page, it will be hence very simple to acquire as without difficulty as download lead Accu Turn 1450 Calibration Manual

It will not undertake many grow old as we explain before. You can realize it even if accomplishment something else at house and even in your workplace. correspondingly easy! So, are you question? Just exercise just what we manage to pay for below as skillfully as evaluation **Accu Turn 1450 Calibration Manual** what you later than to read!

https://stats.tinkerine.com/data/virtual-library/Download_PDFS/bodie%20kane%20marcus%20investments%209th%20edition.pdf

Table of Contents Accu Turn 1450 Calibration Manual

1. Understanding the eBook Accu Turn 1450 Calibration Manual
 - The Rise of Digital Reading Accu Turn 1450 Calibration Manual
 - Advantages of eBooks Over Traditional Books
2. Identifying Accu Turn 1450 Calibration Manual
 - Exploring Different Genres
 - Considering Fiction vs. Non-Fiction
 - Determining Your Reading Goals
3. Choosing the Right eBook Platform
 - Popular eBook Platforms
 - Features to Look for in an Accu Turn 1450 Calibration Manual
 - User-Friendly Interface

4. Exploring eBook Recommendations from Accu Turn 1450 Calibration Manual
 - Personalized Recommendations
 - Accu Turn 1450 Calibration Manual User Reviews and Ratings
 - Accu Turn 1450 Calibration Manual and Bestseller Lists
5. Accessing Accu Turn 1450 Calibration Manual Free and Paid eBooks
 - Accu Turn 1450 Calibration Manual Public Domain eBooks
 - Accu Turn 1450 Calibration Manual eBook Subscription Services
 - Accu Turn 1450 Calibration Manual Budget-Friendly Options
6. Navigating Accu Turn 1450 Calibration Manual eBook Formats
 - ePub, PDF, MOBI, and More
 - Accu Turn 1450 Calibration Manual Compatibility with Devices
 - Accu Turn 1450 Calibration Manual Enhanced eBook Features
7. Enhancing Your Reading Experience
 - Adjustable Fonts and Text Sizes of Accu Turn 1450 Calibration Manual
 - Highlighting and Note-Taking Accu Turn 1450 Calibration Manual
 - Interactive Elements Accu Turn 1450 Calibration Manual
8. Staying Engaged with Accu Turn 1450 Calibration Manual
 - Joining Online Reading Communities
 - Participating in Virtual Book Clubs
 - Following Authors and Publishers Accu Turn 1450 Calibration Manual
9. Balancing eBooks and Physical Books Accu Turn 1450 Calibration Manual
 - Benefits of a Digital Library
 - Creating a Diverse Reading Collection Accu Turn 1450 Calibration Manual
10. Overcoming Reading Challenges
 - Dealing with Digital Eye Strain
 - Minimizing Distractions
 - Managing Screen Time
11. Cultivating a Reading Routine Accu Turn 1450 Calibration Manual
 - Setting Reading Goals Accu Turn 1450 Calibration Manual
 - Carving Out Dedicated Reading Time

12. Sourcing Reliable Information of Accu Turn 1450 Calibration Manual
 - Fact-Checking eBook Content of Accu Turn 1450 Calibration Manual
 - Distinguishing Credible Sources
13. Promoting Lifelong Learning
 - Utilizing eBooks for Skill Development
 - Exploring Educational eBooks
14. Embracing eBook Trends
 - Integration of Multimedia Elements
 - Interactive and Gamified eBooks

Accu Turn 1450 Calibration Manual Introduction

In this digital age, the convenience of accessing information at our fingertips has become a necessity. Whether its research papers, eBooks, or user manuals, PDF files have become the preferred format for sharing and reading documents. However, the cost associated with purchasing PDF files can sometimes be a barrier for many individuals and organizations. Thankfully, there are numerous websites and platforms that allow users to download free PDF files legally. In this article, we will explore some of the best platforms to download free PDFs. One of the most popular platforms to download free PDF files is Project Gutenberg. This online library offers over 60,000 free eBooks that are in the public domain. From classic literature to historical documents, Project Gutenberg provides a wide range of PDF files that can be downloaded and enjoyed on various devices. The website is user-friendly and allows users to search for specific titles or browse through different categories. Another reliable platform for downloading Accu Turn 1450 Calibration Manual free PDF files is Open Library. With its vast collection of over 1 million eBooks, Open Library has something for every reader. The website offers a seamless experience by providing options to borrow or download PDF files. Users simply need to create a free account to access this treasure trove of knowledge. Open Library also allows users to contribute by uploading and sharing their own PDF files, making it a collaborative platform for book enthusiasts. For those interested in academic resources, there are websites dedicated to providing free PDFs of research papers and scientific articles. One such website is Academia.edu, which allows researchers and scholars to share their work with a global audience. Users can download PDF files of research papers, theses, and dissertations covering a wide range of subjects. Academia.edu also provides a platform for discussions and networking within the academic community. When it comes to downloading Accu Turn 1450 Calibration Manual free PDF files of magazines, brochures, and catalogs, Issuu is a popular choice. This digital publishing platform hosts a vast collection of publications from around the world. Users can search for specific titles or explore various categories and genres. Issuu offers a seamless

reading experience with its user-friendly interface and allows users to download PDF files for offline reading. Apart from dedicated platforms, search engines also play a crucial role in finding free PDF files. Google, for instance, has an advanced search feature that allows users to filter results by file type. By specifying the file type as "PDF," users can find websites that offer free PDF downloads on a specific topic. While downloading Accu Turn 1450 Calibration Manual free PDF files is convenient, its important to note that copyright laws must be respected. Always ensure that the PDF files you download are legally available for free. Many authors and publishers voluntarily provide free PDF versions of their work, but its essential to be cautious and verify the authenticity of the source before downloading Accu Turn 1450 Calibration Manual. In conclusion, the internet offers numerous platforms and websites that allow users to download free PDF files legally. Whether its classic literature, research papers, or magazines, there is something for everyone. The platforms mentioned in this article, such as Project Gutenberg, Open Library, Academia.edu, and Issuu, provide access to a vast collection of PDF files. However, users should always be cautious and verify the legality of the source before downloading Accu Turn 1450 Calibration Manual any PDF files. With these platforms, the world of PDF downloads is just a click away.

FAQs About Accu Turn 1450 Calibration Manual Books

What is a Accu Turn 1450 Calibration Manual PDF? A PDF (Portable Document Format) is a file format developed by Adobe that preserves the layout and formatting of a document, regardless of the software, hardware, or operating system used to view or print it. **How do I create a Accu Turn 1450 Calibration Manual PDF?** There are several ways to create a PDF: Use software like Adobe Acrobat, Microsoft Word, or Google Docs, which often have built-in PDF creation tools. Print to PDF: Many applications and operating systems have a "Print to PDF" option that allows you to save a document as a PDF file instead of printing it on paper. Online converters: There are various online tools that can convert different file types to PDF. **How do I edit a Accu Turn 1450 Calibration Manual PDF?** Editing a PDF can be done with software like Adobe Acrobat, which allows direct editing of text, images, and other elements within the PDF. Some free tools, like PDFescape or Smallpdf, also offer basic editing capabilities. **How do I convert a Accu Turn 1450 Calibration Manual PDF to another file format?** There are multiple ways to convert a PDF to another format: Use online converters like Smallpdf, Zamzar, or Adobe Acrobats export feature to convert PDFs to formats like Word, Excel, JPEG, etc. Software like Adobe Acrobat, Microsoft Word, or other PDF editors may have options to export or save PDFs in different formats. **How do I password-protect a Accu Turn 1450 Calibration Manual PDF?** Most PDF editing software allows you to add password protection. In Adobe Acrobat, for instance, you can go to "File" -> "Properties" -> "Security" to set a password to restrict access or editing capabilities. Are there any free alternatives to Adobe Acrobat for working with PDFs? Yes, there are many free alternatives

for working with PDFs, such as: LibreOffice: Offers PDF editing features. PDFsam: Allows splitting, merging, and editing PDFs. Foxit Reader: Provides basic PDF viewing and editing capabilities. How do I compress a PDF file? You can use online tools like Smallpdf, ILovePDF, or desktop software like Adobe Acrobat to compress PDF files without significant quality loss. Compression reduces the file size, making it easier to share and download. Can I fill out forms in a PDF file? Yes, most PDF viewers/editors like Adobe Acrobat, Preview (on Mac), or various online tools allow you to fill out forms in PDF files by selecting text fields and entering information. Are there any restrictions when working with PDFs? Some PDFs might have restrictions set by their creator, such as password protection, editing restrictions, or print restrictions. Breaking these restrictions might require specific software or tools, which may or may not be legal depending on the circumstances and local laws.

Find Accu Turn 1450 Calibration Manual :

bodie kane marcus investments 9th edition

bmw x5 manuals

[bmw x3 2015 uk manual](#)

[bmw z8 owners manual](#)

bo te pandore r flexions leuthanasie perspective

bmw x3 manual 2013

[bmw x5 manual transmission fluid](#)

[bobcat 642b parts manual](#)

[bodenwissenschaften das unbewusste tiefenpsychologie naturwissenschaften](#)

~~bmw x5 e53 service manual 2000 2001 2002 2003 2004 2005 2006 e53 edition by bentley publishers 2010 hardcover~~

bobcat sweeper 60 manual

bobcat s130 repair manual

bodyguard bridegroom harlequin romance large

bmw x5 business cd manual

bodas sancha classic reprint spanish

Accu Turn 1450 Calibration Manual :

istanbul wikipedia - Apr 11 2023

İstanbul un diğer bir sembolü haline gelmiş olan kız kulesi nin geçmişi 2500 yıl öncesine dayandığı söylenir Çeşitli efsanelere sahip olan bu yapı 5 yüzyılda yunanlılartarafından yapıldığı iddia ediliyor kız kulesi see more

İstanbul hava durumu tahmini yandex hava durumu - Jun 13 2023

İstanbul boğaz köprüleri asya ve avrupa kıt aları arasında karayolu ulaşımını sağlayan zarif mimarisi ile boğaz ın incisi olarak da see more

İstanbul seyahati 2023 tripadvisor - Jul 14 2023

İstanbul un sembollerinden biri olan galata kulesi uzun bir tarihe sahip olan ve şehrin manzarasını büyüleyici bir şekilde sunan bir yapıdır İlk olarak bizans İmparatoru anastasius oilosuz see more

İstanbul da gezilecek yerler en popüler 100 yer - Aug 15 2023

İstanbul un liman kenarında bulunan eminönü şehrin canlı ve hareketli merkezlerinden biridir vapur iskelelerine yanaşan tekneler burada yolcu indirip bindirirken bölgeyi see more

istanbul türkiye 2023 best places to visit tripadvisor - May 12 2023

haliç üzerine kurulmuş olan ve eminönü ile karaköy arasında bağlantı sağlayan galata köprüsü uzun bir tarihe sahiptir köprünün eski adı yeni köprü iken günümüzde ise see more

ocr past papers biology f215 2013 pdf forms iibr edu - Jul 08 2022

web ocr past papers biology f215 2013 is available in our book collection an online access to it is set as public so you can download it instantly our digital library spans in multiple countries allowing you to get the most less latency time to

ocr past papers biology f215 2013 pdf download only - May 06 2022

web ocr past papers biology f215 2013 pdf pages 2 22 ocr past papers biology f215 2013 pdf upload donald f ferguson 2 22 downloaded from black ortax org on september 3 2023 by donald f ferguson culture outer space geography and weather advanced biology michael kent 2000 07 06 written by an experienced author and teacher of

advanced gce unit f215 control genomes and environment ocr - May 18 2023

web biology advanced gce unit f215 control genomes and environment ocr oxford cambridge and rsa is a leading uk awarding body providing a wide range of mark schemes should be read in conjunction with the published question papers and the report on the examination

ocr a2 biology f215 control genomes and environment - Feb 15 2023

web mar 18 2017 ocr a2 biology f215 control genomes and environment all ocr f215 biology past papers and mark schemes contact faisal rana biochemtuition com call text 07783919244

download solutions ocr past papers biology f215 2013 - Sep 10 2022

web ocr past papers biology f215 2013 human biology jan 16 2023 molecular radiation biology dec 15 2022 there can hardly

be any doubt that radiation will continue to be an important factor in our lives present and future advances in atomic technology urgently require further work on research and

as and a level biology a h020 h420 ocr - Aug 21 2023

web ocr as and a level biology from 2015 qualification information including specification exam materials teaching resources learning resources

ocr past papers biology f215 2013 cgp books book - Mar 04 2022

web by ocr and other experimental investigations in biology provide assessment guidance with synoptic questions and multiple choice questions throughout the book and revision tips and skills all in one chapter strengthen understanding of key concepts with contemporary and engaging examples illustrated with accessible diagrams and images

ocr past papers biology f215 2013 full pdf thefutureindex - Oct 11 2022

web oct 30 2023 level biology for ocr a year 2 a level advancing biology for ocr student book ocr b a level advancing biology for ocr b year 2 a generic level revision of the spider subfamily coelotinae araneae amaurobiidae biology

ocr biology specimen paper mark scheme f215 pdf - Apr 05 2022

web ocr biology specimen paper mark scheme f215 feb 21 2022 web may 27 2021 national 5 biology 2013 specimen question paper model papers 2014 exam publication date 2014 topics biology examinations questions etc biology specimen paper 2023 has been released by cisce so you can now download

monday 21 january 2013 morning ocr - Oct 23 2023

web this document consists of 20 pages any blank pages are indicated ocr 2013 f 500 8554 dc nf sw 69841 4 r ocr is an exempt charity turn over answer all the questions domestic chickens have been bred for many years to increase the number of eggs laid by the females

advanced gce unit f215 control genomes and environment past papers - Sep 22 2023

web f215 mark scheme january 2013 2 subject specific marking instructions credit aw for all i e credit any alternatively worded statement that conveys the same sense as the mark point if a particular word is essential and no other will do it is underlined ignore wrong or vague statements unless they directly contradict a mark point

advanced gce unit f215 control genomes and environment ocr - Jul 20 2023

web mark scheme for june 2013 gce biology advanced gce unit f215 control genomes and environment

ocr as gce biology a h021 biochem tuition - Jun 07 2022

web dr faisal rana biochemtuition com 2 unit f212 molecules biodiversity food and health paper code f212 qp 1 exam paper unit f212 molecules

ocr past papers biology f215 2013 june orientation sutd edu - Apr 17 2023

web ocr past papers biology f215 2013 june orientation sutd edu sg keywords starch vs cellulose compare and contrast table in a advantages amp disadvantages of ivf advantages and as a level gce biology h021 h421 ocr

f215 past papers ocr a2 biology past papers revision notes - Jan 14 2023

web may 5 2013 posts about f215 past papers written by dezzygc ocr a2 biology past papers revision notes all questions since 2002 menu skip to content home about psychology category archives f215 past papers 0 may 5 2013 dezzygc plant responses f215 past papers past papers 0

ocr biology f215 7 pdf files past papers archive - Jun 19 2023

web 2 ocr f215 june 2013 past paper pdf ocr f215 june 2013 past paper pdf download ocr f215 june 2013 past paper tuesday 11 june 2013 morning ocr tuesday 11 june 2013 morning a2 gce biology f215 01 control genomes and environment instructions to

ocr past papers biology f215 2013 june orientation sutd edu - Mar 16 2023

web ocr past papers biology f215 2013 june orientation sutd edu sg keywords as a level gce biology h021 h421 ocr starch vs cellulose compare and contrast table in a advantages amp disadvantages of ivf advantages and

ocr past papers biology f215 2013 june orientation sutd edu - Nov 12 2022

web ocr past papers biology f215 2013 june orientation sutd edu sg author fabio graebner orientation sutd edu sg subject ocr past papers biology f215 2013 june orientation sutd edu sg keywords as a level gce biology h021 h421 ocr advantages amp disadvantages of ivf advantages and starch vs cellulose compare and contrast

advanced gce unit f215 control genomes and environment - Aug 09 2022

web unit f215 control biology mark scheme for january 2011 ocr oxford cambridge and rsa is a leading uk awarding body providing a wide range of qualifications to meet the needs of pupils of all ages and abilities mark schemes should be read in conjunction with the published question papers and the report on the

ocr past papers biology f215 2013 pdf - Dec 13 2022

web ocr past papers biology f215 2013 national 5 biology 2017 18 sqa specimen and past papers with answers jun 11 2022 gce o level examination past papers with answer guides biology india edition feb 19 2023

lecture outlines chapter 4 environment the science behind the stories - Jan 08 2023

web mar 26 2012 lecture outlines chapter 4 environment the science behind the stories 4th edition withgott brennan this lecture will help you understand species interactions feeding relationships energy flow trophic levels and food webs keystone species the process of succession download presentation diving ducks

lecture outlines chapter 2 environment the science behind the stories - Jan 28 2022

web jul 7 2014 lecture outlines chapter 2 environment the science behind the stories 4th edition withgott brennan this

lecture will help you understand the fundamentals of matter and chemistry energy and energy flow photosynthesis respiration and chemosynthesis plate tectonics and the rock cycle

environment the science behind the stories 4th edition - Jul 02 2022

web environment the science behind the stories books a la carte edition 4th edition

essential environment the science behind the stories plus - Jul 14 2023

web sep 26 2011 check with the seller prior to purchase essential environment the science behind the stories fourth edition engages students with integrated central case studies that provide students with a tangible framework for understanding science in a brief 18 chapter text

essential environment the science behind the stories - May 12 2023

web summary essential environment the science behind the stories fourth edition engages students with integrated central case studies that provide students with a tangible framework for understanding science in a brief 18 chapter book

essential environment the science behind the stories - Mar 30 2022

web feb 1 2023 essential environment the science behind the stories 4th ed upper saddle river nj pearson 2012 note citation formats are based on standards as of july 2022

environment the science behind the stories 4th edition - Nov 06 2022

web environment the science behind the stories 4th edition isbn 9780321715340 jay h withgott scott brennan sorry we don't have content for this book yet find step by step expert solutions for your textbook or homework problem

essential environment the science behind the stories google - Jun 13 2023

web sep 26 2011 essential environment the science behind the stories fourth edition engages students with integrated central case studies that provide students with a tangible framework for understanding science in a brief 18 chapter text

environment the science behind the stories 4th edition - Aug 03 2022

web environment the science behind the stories captures your interest with a revolutionary new approach to environmental science integrated central case studies woven throughout each

jay withgott scott brennan - Oct 05 2022

web environment the science behind the stories jay withgott scott brennan 4th ed p cm includes bibliographical references and index isbn 978 0 321 71534 0 pbk environmental sciences i brennan scott ge105 b74 2011 333 7 dc22 ii

essential environment the science behind the stories 4th edition - Mar 10 2023

web about this title essential environment the science behind the stories fourth edition engages students with integrated central case studies that provide students with a tangible framework for understanding science in a brief 18 chapter book

lecture outlines chapter 2 environment the science behind the stories - Sep 04 2022

web jul 29 2014 lecture outlines chapter 2 environment the science behind the stories 4th edition withgott brennan culture worldviews and choices environmental ethics economics and the environment classical and neoclassical economics economic growth well being and sustainability download presentation

[bbc radio 4 science stories downloads](#) - Feb 26 2022

web jan 9 2019 lucretius sheep and atoms wed 19 dec 2018 naomi alderman s story is of lucretius sheep and atoms download choose your file higher quality 128kbps lower quality 64kbps

[lecture outlines chapter 1 environment the science behind the stories](#) - Dec 07 2022

web aug 10 2014 lecture outlines chapter 1 environment the science behind the stories 4th edition withgott brennan question 1 the term environment includes animals and plants oceans and rivers soil and atmosphere all of the above are included in this term

environment the science behind the stories 7th edition pearson - Feb 09 2023

web jul 14 2020 mastering environmental science with pearson etext for environment the science behind the stories *essential environment the science behind the stories pearson* - Jun 01 2022

web sep 15 2020 loose leaf essential environment the science behind the stories isbn 13 9780134818733 published 2018 101 32 paperback essential environment the science behind the stories isbn 13 9780134714882 published 2018 138 66

environment the science behind the stories 4th edition - Aug 15 2023

web sep 27 2010 buy environment the science behind the stories 4th edition on amazon com free shipping on qualified orders environment the science behind the stories 4th edition withgott jay h brennan

home the science behind it - Dec 27 2021

web encouraging women in stemm science technology engineering math and medicine is important to our nation s future read the article to find out why and gain a better understanding of the barriers women face we quizzed some random people about who they know in science and engineering watch the video to see the results

editions of environment the science behind the stories by goodreads - Apr 11 2023

web editions for environment the science behind the stories 0135126304 hardcover published in 2007 0321715349 paperback published in 2010 0321897420

essential environment the science behind the stories 4th edition - Apr 30 2022

web essential environment the science behind the stories fourth edition engages students with integrated central case studies that provide students with a tangible framework for und