

$$V = mgy_0 + \frac{1}{2} k \Delta^2, \Delta = L - L_0$$

$$\text{Initially } \theta = 30^\circ, \beta = 60^\circ - \theta = 30^\circ, \frac{k_1}{\sin \beta} = \frac{0.4}{\sin 120^\circ} \Rightarrow L_1 = 0.2309$$

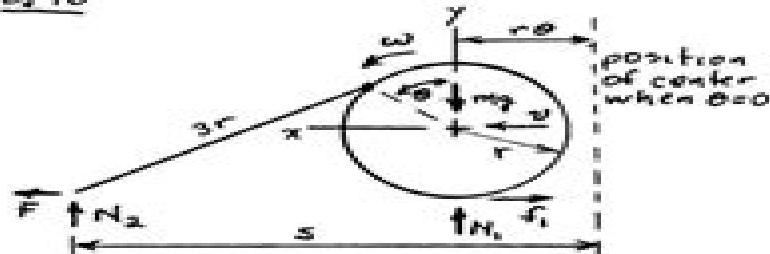
$$\text{Set } \Delta_1 = -0.1 \Rightarrow L_0 = L_1 - \Delta_1 = 0.3309$$

$$\text{At } \theta = 0, L_2 = 0.4 \Rightarrow \Delta_2 = 0.4 - L_0 = 0.0691, \text{ so}$$

$$V_1 = 40(9.807)(0.2 \sin 30^\circ) + \frac{1}{2} k \Delta_1^2 = 139.23, V_2 = \frac{1}{2} k \Delta_2^2 = 47.75 \text{ joules}$$

$$T_2 + V_2 = T_1 + V_1 \Rightarrow 2.133 \omega^2 + 47.75 = 139.23 \Rightarrow \omega = 6.549 \text{ rad/s} \quad \triangleleft$$

S.40



Given constant $F, I_{c.m.} = mk^2$,

no slip, $v = 0$ at $\theta = 0$

Find v in terms of θ .

Solution: Use work-energy.

$$W_{1 \rightarrow 2} = F(s_2 - s_1) \text{ where}$$

$$s = r\theta + r \sin \theta + [(3r)^2$$

$$- (r + r \cos \theta)^2]^{1/2}$$

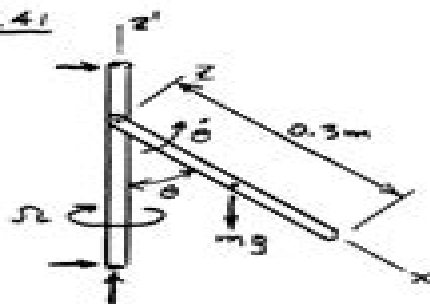
$$T = \frac{1}{2} m v^2 + \frac{1}{2} (mk^2) \omega^2, \text{ but } \omega = v/r \text{ for no slip} \Rightarrow T = \frac{1}{2} m \left(1 + \frac{k^2}{r^2}\right) v^2$$

$$V = 0, \text{ Initially } \theta = 0 \Rightarrow v = 0 \Rightarrow s_1 = \sqrt{5} r \in T_1 = 0. \text{ Thus}$$

$$\frac{1}{2} m \left(1 + \frac{k^2}{r^2}\right) v^2 = Fr [\theta + \sin \theta + (\theta - 2 \cos \theta - \cos^2 \theta)]^{1/2} - \sqrt{5} Fr$$

$$\text{or } v^2 = \frac{2Fr^3}{m(r^2 + k^2)} [\theta + \sin \theta + (\theta - 2 \cos \theta - \cos^2 \theta)^{1/2} - \sqrt{5}] \quad \triangleleft$$

S.41



Given $\Omega = 10 \text{ rad/s} \in \dot{\theta} = 4 \text{ rad/s}$

when $\theta = 10^\circ$

Find max θ .

Solution: No moment about the

vertical shaft $\Rightarrow \sum \bar{M}_A \cdot \bar{k}' = 0,$

so $\bar{H}_A \cdot \bar{k}'$ is constant. Also,

energy is conserved.

Advanced Engineering Dynamics Solutions Manual Cambridge

Ofer Aluf



Advanced Engineering Dynamics Solutions Manual Cambridge:

Advanced Engineering Dynamics Solutions Jerry H. Ginsberg, 1995 **The British National Bibliography** Arthur James Wells, 2007 Books in Print, 1994 *Advance Elements of Laser Circuits and Systems* Ofer Aluf, 2021-03-09

This book on Advance Elements of Laser circuits and systems Nonlinearity applications in engineering addresses two separate engineering and scientific areas and presents advanced analysis methods for Laser circuits and systems that cover a broad range of engineering and scientific applications The book analyzed Laser circuits and systems as linear and nonlinear dynamical systems and there limit cycles bifurcation and limit cycle stability by using nonlinear dynamic theory Further it discussed a broad range of bifurcations related to Laser systems and circuits starting from laser system differential equations and their bifurcations delay differential equations DDEs are a function of time delays delay dependent parameters followed by phase plane analysis limit cycles and their bifurcations chaos iterated maps period doubling It combines graphical information with analytical analysis to effectively study the local stability of Laser systems models involving delay dependent parameters Specifically the stability of a given steady state is determined by the graphs of some functions of which can be expressed explicitly The Laser circuits and systems are Laser diode circuits MRI system Laser diode circuitry Electron photon exchanges into VCSEL Ti Sapphire laser systems Ion channel and long wavelength lasers Solid state lasers Solid state laser controlled by semiconductor devices microchip solid state laser Q switched diode pumped solid state laser Nd YAG Mid Infrared and Q switched microchip lasers Gas laser systems copper vapor laser CVL circuitry Dual wavelength laser systems Dual wavelength operation of a Ti sapphire laser Diode pumped Q switched Nd YVO4 yellow laser Asymmetric dual quantum well lasers Tm3 doped silica fibre lasers Terahertz dual wavelength quantum cascade laser The Book address also the additional areas Laser X guiding system Plasma diagnostics Laser Beam shaping Jitter and crosstalk Plasma mirror systems and High power Laser Target diagnostic system optical elements The book is unique in its emphasis on practical and innovative engineering and scientific applications All conceptual Laser circuits are innovative and can be broadly implemented in many engineering applications The dynamics of Laser circuits and systems provides several ways to use them in a variety of applications covering wide areas This book is aimed at electrical and electronics engineers students and researchers in physics as well It is also aimed for research institutes in lasers and plasma physics and gives good comprehensive in laser and plasma systems In each chapter the concept is developed from basic assumptions up to the final engineering and scientific outcomes The scientific background is explained at basic and advance levels and closely integrated with mathematical theory Many examples are presented in this book and it is also ideal for intermediate level courses at graduate level studies It is also ideal for engineer who has not had formal instruction in nonlinear dynamics but who now desires to fill the gap between innovative Laser circuits systems and advance mathematical analysis methods *The Publishers' Trade List Annual*, 1969 An Introduction to Soil Dynamics Arnold Verruijt, 2009-12-24 to Soil Dynamics Arnold

Verruijt Delft University of Technology Delft The Netherlands Arnold Verruijt Delft University of Technology 2628 CN Delft Netherlands a verruijt verruijt net A CD ROM accompanies this book containing programs for waves in piles propagation of earthquakes in soils waves in a half space generated by a line load a point load a strip load or a moving load and the propagation of a shock wave in a saturated elastic porous material Computer programs are also available from the website <http://geo.verruijt.net> ISBN 978 90 481 3440 3 e ISBN 978 90 481 3441 0 DOI 10 1007 978 90 481 3441 0 Springer Dordrecht Heidelberg London New York Library of Congress Control Number 2009940507 Springer Science Business Media B V 2010 No part of this work may be reproduced stored in a retrieval system or transmitted in any form or by any means electronic mechanical photocopying micro lming recording or otherwise without written permission from the Publisher with the exception of any material supplied speci cally for the purpose of being entered and executed on a computer system for exclusive use by the purchaser of the work Printed on acid free paper Springer is part of Springer Science Business Media www.springer.com Preface This book gives the material for an introductory course on Soil Dynamics as given for about 10 years at the Delft University of Technology for students of civil en neering and updated continuously since 1994 *Scientific and Technical Books in Print* ,1972 Finite Element Method Gouri Dhatt,Emmanuel Lefrançois,Gilbert Touzot,2012-12-27 This book offers an in depth presentation of the finite element method aimed at engineers students and researchers in applied sciences The description of the method is presented in such a way as to be usable in any domain of application The level of mathematical expertise required is limited to differential and matrix calculus The various stages necessary for the implementation of the method are clearly identified with a chapter given over to each one approximation construction of the integral forms matrix organization solution of the algebraic systems and architecture of programs The final chapter lays the foundations for a general program written in Matlab which can be used to solve problems that are linear or otherwise stationary or transient presented in relation to applications stemming from the domains of structural mechanics fluid mechanics and heat transfer *Whitaker's Books in Print* ,1998 **Modeling with Differential Equations in Chemical Engineering** Stanley M. Walas,1991 Modelling with Differential Equations in Chemical Engineering covers the modelling of rate processes of engineering in terms of differential equations While it includes the purely mathematical aspects of the solution of differential equations the main emphasis is on the derivation and solution of major equations of engineering and applied science Methods of solving differential equations by analytical and numerical means are presented in detail with many solved examples and problems for solution by the reader Emphasis is placed on numerical and computer methods of solution A key chapter in the book is devoted to the principles of mathematical modelling These principles are applied to the equations in important engineering areas The major disciplines covered are thermodynamics diffusion and mass transfer heat transfer fluid dynamics chemical reactions and automatic control These topics are of particular value to chemical engineers but also are of interest to mechanical civil and environmental engineers as well as applied scientists The material is also

suitable for undergraduate and beginning graduate students as well as for review by practising engineers

Eventually, you will entirely discover a further experience and capability by spending more cash. still when? reach you consent that you require to get those all needs behind having significantly cash? Why dont you attempt to acquire something basic in the beginning? Thats something that will guide you to comprehend even more as regards the globe, experience, some places, subsequent to history, amusement, and a lot more?

It is your unconditionally own become old to work reviewing habit. in the course of guides you could enjoy now is **Advanced Engineering Dynamics Solutions Manual Cambridge** below.

<https://stats.tinkerine.com/public/publication/index.jsp/After%20The%20Trade%20Is%20Made%20Revised%20Ed%20Processing%20Securities%20Transactions.pdf>

Table of Contents Advanced Engineering Dynamics Solutions Manual Cambridge

1. Understanding the eBook Advanced Engineering Dynamics Solutions Manual Cambridge
 - The Rise of Digital Reading Advanced Engineering Dynamics Solutions Manual Cambridge
 - Advantages of eBooks Over Traditional Books
2. Identifying Advanced Engineering Dynamics Solutions Manual Cambridge
 - Exploring Different Genres
 - Considering Fiction vs. Non-Fiction
 - Determining Your Reading Goals
3. Choosing the Right eBook Platform
 - Popular eBook Platforms
 - Features to Look for in an Advanced Engineering Dynamics Solutions Manual Cambridge
 - User-Friendly Interface
4. Exploring eBook Recommendations from Advanced Engineering Dynamics Solutions Manual Cambridge
 - Personalized Recommendations
 - Advanced Engineering Dynamics Solutions Manual Cambridge User Reviews and Ratings
 - Advanced Engineering Dynamics Solutions Manual Cambridge and Bestseller Lists

5. Accessing Advanced Engineering Dynamics Solutions Manual Cambridge Free and Paid eBooks
 - Advanced Engineering Dynamics Solutions Manual Cambridge Public Domain eBooks
 - Advanced Engineering Dynamics Solutions Manual Cambridge eBook Subscription Services
 - Advanced Engineering Dynamics Solutions Manual Cambridge Budget-Friendly Options
6. Navigating Advanced Engineering Dynamics Solutions Manual Cambridge eBook Formats
 - ePub, PDF, MOBI, and More
 - Advanced Engineering Dynamics Solutions Manual Cambridge Compatibility with Devices
 - Advanced Engineering Dynamics Solutions Manual Cambridge Enhanced eBook Features
7. Enhancing Your Reading Experience
 - Adjustable Fonts and Text Sizes of Advanced Engineering Dynamics Solutions Manual Cambridge
 - Highlighting and Note-Taking Advanced Engineering Dynamics Solutions Manual Cambridge
 - Interactive Elements Advanced Engineering Dynamics Solutions Manual Cambridge
8. Staying Engaged with Advanced Engineering Dynamics Solutions Manual Cambridge
 - Joining Online Reading Communities
 - Participating in Virtual Book Clubs
 - Following Authors and Publishers Advanced Engineering Dynamics Solutions Manual Cambridge
9. Balancing eBooks and Physical Books Advanced Engineering Dynamics Solutions Manual Cambridge
 - Benefits of a Digital Library
 - Creating a Diverse Reading Collection Advanced Engineering Dynamics Solutions Manual Cambridge
10. Overcoming Reading Challenges
 - Dealing with Digital Eye Strain
 - Minimizing Distractions
 - Managing Screen Time
11. Cultivating a Reading Routine Advanced Engineering Dynamics Solutions Manual Cambridge
 - Setting Reading Goals Advanced Engineering Dynamics Solutions Manual Cambridge
 - Carving Out Dedicated Reading Time
12. Sourcing Reliable Information of Advanced Engineering Dynamics Solutions Manual Cambridge
 - Fact-Checking eBook Content of Advanced Engineering Dynamics Solutions Manual Cambridge
 - Distinguishing Credible Sources
13. Promoting Lifelong Learning

- Utilizing eBooks for Skill Development
 - Exploring Educational eBooks
14. Embracing eBook Trends
- Integration of Multimedia Elements
 - Interactive and Gamified eBooks

Advanced Engineering Dynamics Solutions Manual Cambridge Introduction

In the digital age, access to information has become easier than ever before. The ability to download Advanced Engineering Dynamics Solutions Manual Cambridge has revolutionized the way we consume written content. Whether you are a student looking for course material, an avid reader searching for your next favorite book, or a professional seeking research papers, the option to download Advanced Engineering Dynamics Solutions Manual Cambridge has opened up a world of possibilities. Downloading Advanced Engineering Dynamics Solutions Manual Cambridge provides numerous advantages over physical copies of books and documents. Firstly, it is incredibly convenient. Gone are the days of carrying around heavy textbooks or bulky folders filled with papers. With the click of a button, you can gain immediate access to valuable resources on any device. This convenience allows for efficient studying, researching, and reading on the go. Moreover, the cost-effective nature of downloading Advanced Engineering Dynamics Solutions Manual Cambridge has democratized knowledge. Traditional books and academic journals can be expensive, making it difficult for individuals with limited financial resources to access information. By offering free PDF downloads, publishers and authors are enabling a wider audience to benefit from their work. This inclusivity promotes equal opportunities for learning and personal growth. There are numerous websites and platforms where individuals can download Advanced Engineering Dynamics Solutions Manual Cambridge. These websites range from academic databases offering research papers and journals to online libraries with an expansive collection of books from various genres. Many authors and publishers also upload their work to specific websites, granting readers access to their content without any charge. These platforms not only provide access to existing literature but also serve as an excellent platform for undiscovered authors to share their work with the world. However, it is essential to be cautious while downloading Advanced Engineering Dynamics Solutions Manual Cambridge. Some websites may offer pirated or illegally obtained copies of copyrighted material. Engaging in such activities not only violates copyright laws but also undermines the efforts of authors, publishers, and researchers. To ensure ethical downloading, it is advisable to utilize reputable websites that prioritize the legal distribution of content. When downloading Advanced Engineering Dynamics Solutions Manual Cambridge, users should also consider the potential security risks associated with online platforms. Malicious actors may exploit vulnerabilities in unprotected websites to distribute malware or steal personal information. To protect themselves,

individuals should ensure their devices have reliable antivirus software installed and validate the legitimacy of the websites they are downloading from. In conclusion, the ability to download Advanced Engineering Dynamics Solutions Manual Cambridge has transformed the way we access information. With the convenience, cost-effectiveness, and accessibility it offers, free PDF downloads have become a popular choice for students, researchers, and book lovers worldwide. However, it is crucial to engage in ethical downloading practices and prioritize personal security when utilizing online platforms. By doing so, individuals can make the most of the vast array of free PDF resources available and embark on a journey of continuous learning and intellectual growth.

FAQs About Advanced Engineering Dynamics Solutions Manual Cambridge Books

1. Where can I buy Advanced Engineering Dynamics Solutions Manual Cambridge books? Bookstores: Physical bookstores like Barnes & Noble, Waterstones, and independent local stores. Online Retailers: Amazon, Book Depository, and various online bookstores offer a wide range of books in physical and digital formats.
2. What are the different book formats available? Hardcover: Sturdy and durable, usually more expensive. Paperback: Cheaper, lighter, and more portable than hardcovers. E-books: Digital books available for e-readers like Kindle or software like Apple Books, Kindle, and Google Play Books.
3. How do I choose a Advanced Engineering Dynamics Solutions Manual Cambridge book to read? Genres: Consider the genre you enjoy (fiction, non-fiction, mystery, sci-fi, etc.). Recommendations: Ask friends, join book clubs, or explore online reviews and recommendations. Author: If you like a particular author, you might enjoy more of their work.
4. How do I take care of Advanced Engineering Dynamics Solutions Manual Cambridge books? Storage: Keep them away from direct sunlight and in a dry environment. Handling: Avoid folding pages, use bookmarks, and handle them with clean hands. Cleaning: Gently dust the covers and pages occasionally.
5. Can I borrow books without buying them? Public Libraries: Local libraries offer a wide range of books for borrowing. Book Swaps: Community book exchanges or online platforms where people exchange books.
6. How can I track my reading progress or manage my book collection? Book Tracking Apps: Goodreads, LibraryThing, and Book Catalogue are popular apps for tracking your reading progress and managing book collections. Spreadsheets: You can create your own spreadsheet to track books read, ratings, and other details.
7. What are Advanced Engineering Dynamics Solutions Manual Cambridge audiobooks, and where can I find them? Audiobooks: Audio recordings of books, perfect for listening while commuting or multitasking. Platforms: Audible,

LibriVox, and Google Play Books offer a wide selection of audiobooks.

8. How do I support authors or the book industry? Buy Books: Purchase books from authors or independent bookstores. Reviews: Leave reviews on platforms like Goodreads or Amazon. Promotion: Share your favorite books on social media or recommend them to friends.
9. Are there book clubs or reading communities I can join? Local Clubs: Check for local book clubs in libraries or community centers. Online Communities: Platforms like Goodreads have virtual book clubs and discussion groups.
10. Can I read Advanced Engineering Dynamics Solutions Manual Cambridge books for free? Public Domain Books: Many classic books are available for free as they're in the public domain. Free E-books: Some websites offer free e-books legally, like Project Gutenberg or Open Library.

Find Advanced Engineering Dynamics Solutions Manual Cambridge :

~~after the trade is made revised ed processing securities transactions~~

against global capitalism african social movements confront neoliberal globalization

~~against all hope resistance in the nazi concentration camps 1938-1945~~

africa dispatches from a fragile continent

afterlife study guide soto

~~agfa drystar 2000 service manual~~

aftershock the next economy and americas future

afghanistan countries of the world

agenzia immobiliare tecnocasa sullisola di tenerife

african laughter four visits to zimbabwe

afl jumper colouring page

after tobacco after tobacco

afloat shopping guide catalog

african american religion interpretive essays in history and culture

~~africa unit test study guide answers~~

Advanced Engineering Dynamics Solutions Manual Cambridge :

midas gen intuitive modelling - Mar 16 2022

web midas gen 01 midas gen midas gen is a windows based general purpose structural analysis and optimal design system
the intuitive user interface contemporary computer

[on line manual](#) - Jun 30 2023

web gen eral structure design system midasuser com e mail midasoft midasuser com copyright c 2008 midas information
technology co

application midasstructure - Dec 13 2021

[data conversion midas user](#) - Jul 20 2022

web midas ngen webhelp 5 50 midas ngen your browser does not support frames we recommend that you update your
browser to a version that supports frames to view the

[midas customer online support gen 2023 v2 1 installation](#) - Jan 14 2022

web products midas ngen overview product spec midas gen overview product spec design overview free trial solutions midas
ngen concrete building steel structure

midas gen analysis and design of rc building - Sep 21 2022

web jul 12 2023 download installation and patch files 16 articles midas meshfree 2023r1 installation files updated friday july
7 2023 midas nfx 2023r1 installation file

[midas ngen manuals and tutorials midas user](#) - Mar 28 2023

web nov 4 2020 midas ngen manuals and tutorials design manual dropbox com s k5l9aqo4if1ml43 design 20manual ngen
pdf dl 1 analysis

midas gen - Sep 02 2023

web midas gen

midas gen manuals and tutorials midas user - Oct 03 2023

web online manual from web is temporarily not working instead online manual is also available in the midas gen folder path c
midas midas gen file name midasgen chm

structure tutorial list - May 30 2023

web tutorial midas gen application tutorial linear time history analysis tutorial midas gen application tutorial eurocode 2
design of a multi story rc building

[midas civil manuals and tutorials midas user](#) - Feb 24 2023

web path c midas midas civil file name cvlw chm double click the cvlw chm file to see the help manual getting started

midas gen □□□□□□ - Dec 25 2022

web jul 24 2018 i ve attached the materials for pushover analysis and p delta analysis also you can get the materials of midas gen in the installation folder via c program

blog midas structure analysis manual for midas gen - Apr 16 2022

web serviceability of a floor structure can be evaluated by time history analyses midas gen provides a number of time history forcing functions for walking loads for floor

midasstructure products - Jan 26 2023

web midas gen on line manual general structure design system midasuser com e mail esupport midasuser com esupport midasuser com

documentation on nonlinear analysis and p delta analysis - Nov 23 2022

web oct 30 2014 midas gen manual of 4 midas gen v7 0 2 enhancements ver 7 0 2 release midas information technology co ltd midas gen ver 7 0 2 enhancements

midas gen manual pdf eigenvalues and eigenvectors scribd - May 18 2022

web midas gen analysis options part 1 table of contents 1 linear static analysis 2 free vibration analysis 2 1 eigenvalue analysis 2 2 ritz vector analysis 3

midas gen manual pdf document - Oct 23 2022

web publish date 27 dec 2021 summary this tutorial will show how to analyze and design a reinforced concrete building subjected to floor wind and seismic loads the structure will

midas ngen midas user - Jun 18 2022

web midas gen manual free download as pdf file pdf text file txt or read online for free manual for v7 0 2

midas gen - Feb 12 2022

web jun 14 2023 1 gen 2023 v2 1 installer update 1 general execution files us en version download taiwan version download india version download 2 msi

midas customer online support knowledge base - Aug 21 2022

web data conversion of midas gen performs the following functions 1 the coordinates of the floor framing from the midas gen framing model data are extracted midas gen data are

midas customer online support knowledge base tutorials - Aug 01 2023

web nov 4 2020 midas software installation guide updated tuesday july 13 2021 guide installation midas civil manuals and tutorials updated tuesday november 10 2020

midas gen training series midas user - Apr 28 2023

web learn how to model and analyze a reinforced concrete building using midas gen a comprehensive structural engineering

software this tutorial provides step by step

practical blacksmithing quarto at a glance the quarto group - Apr 10 2023

web originally published in four volumes in the early 20th century this hefty single volume new edition of practical blacksmithing is different from similar books in that it includes

practical blacksmithing the four classic volumes in one - Dec 06 2022

web practical blacksmithing the four classic volumes in one ebook richardson m t richardson m t amazon in kindle store
practical blacksmithing the four classic volumes i ray tabor - Mar 29 2022

practical blacksmithing the four classic volumes in one - Jul 13 2023

web the forging of metal gave birth to the iron age and practical blacksmithing is the classic primer on the craft that shaped modern civilization featuring more than 1 000

practical blacksmithing the four classic volumes in one - May 11 2023

web originally published in four volumes in the early 20th century this hefty single volume new edition of practical blacksmithing is different from similar books in that it includes

practical blacksmithing the four classic volumes i download - Apr 29 2022

practical blacksmithing the four classic volumes in one - Jun 12 2023

web practical blacksmithing the four classic volumes in one ebook written by m t richardson read this book using google play books app on your pc android ios

buy practical blacksmithing the four classic volumes in one - Oct 04 2022

web practical blacksmithing the four classic volumes in one customer reviews top positive review extensive book to go through details will take many hours to digest i

practical blacksmithing the original classic in one - Jul 01 2022

web practical blacksmithing vol 4 practical blacksmithing four volumes in one practical blacksmithing the four classic volumes i downloaded from old cosmc org

practical blacksmithing the four classic volumes in one by m t - May 31 2022

web download and install practical blacksmithing the four classic volumes i so simple the art and craft of the blacksmith robert thomas 2018 02 13 the art and craft of the

amazon com customer reviews practical blacksmithing the - Sep 03 2022

web by m t richardson 2017 english epub read online 28 5 mb download the blacksmiths abcs learn metalworking as taught

by the old masters the forging of

practical blacksmithing the four classic volumes in one - Mar 09 2023

web oct 24 2017 proving that what may be old can actually be new and useful practical blacksmithing describes all the important smithing processes welding brazing

practical blacksmithing the four classic volumes in one - Aug 02 2022

web jun 11 2023 download practical blacksmithing the four classic practical blacksmithing 4 volumes 1889 1891 by m t the blacksmith s craft a primer of tools

practical blacksmithing the four classic volumes in one - Aug 14 2023

web oct 24 2017 practical blacksmithing the four classic volumes in one author m t richardson publisher chartwell books 2017 isbn 0760361851 9780760361856

practical blacksmithing the four classic volumes in one ebook - Nov 05 2022

web amazon in buy practical blacksmithing the four classic volumes in one book online at best prices in india on amazon in read practical blacksmithing the four classic

practical blacksmithing the four classic volumes in one by - Jan 07 2023

web originally published in four volumes in the early 20th century this hefty single volume new edition of practical blacksmithing is different from similar books in that it includes

practical blacksmithing the four classic volumes in one by m t - Feb 08 2023

web buy practical blacksmithing the four classic volumes in one by richardson m t online on amazon ae at best prices fast and free shipping free returns cash on delivery

250 optimax jet drive manual yumpu - Jun 23 2022

web mar 29 2014 manual will be sent to all dealers contracted by us to sell and or service these products br it should be kept in mind while working on the product that the

motorka orgelec s yumpu - Jul 05 2023

web chapter 8 electrical systems en english deutsch français español portugués italiano román nederlands latina dansk svenska norsk magyar bahasa indonesia

electrical - May 23 2022

web feb 24 2020 electrical date post 24 feb 2020 category documents author others view 0 times download 0 times download report this document share this

mopa dc motor eta oto - Mar 01 2023

web torkun ve hızın geniş bir aralıkta hassas bir şekilde ayarlanma imkanını müşterilerine sunan temax dc motorları

günümüz imalat teknolojisinin neredeyse bir standardı haline

electrical motorka org - Aug 06 2023

web 2d 0 electrical 90 822900r3 december 1997 table of contents page power trim wiring diagram 1994 models 2d 1 power trim wiring diagram

elektrik motoru nedir elektrik motoru nerelerde kullanılır - Aug 14 2021

web feb 10 2019 elektrik motoru elektrik enerjisini mekanik enerjiye dönüştüren ağıta verilen isimdir her elektrik motoru biri sabit stator ve diğeri kendi çevresinde dönen rotor ya

electrica home dergipark - Apr 02 2023

web iu journal of electrical electronics engineering 1303 0914 102 2001 close current issue current issue 2019 volume 19 issue 2 add to my library create research

elec e motorka org - Oct 08 2023

web electrical component 8 1 e elec 8electrical component 1 ignition coil b black 2 charge coil br brown 3 pulser coil g green 4 cdi unit e u l b l 5 engine

en İyi Elektrikli motosikletler elektrikli bisiklet kiti ve hub motor - Feb 17 2022

web mar 23 2021 ls 218 dünyanın en hızlı elektrikli bisikleti olarak bilinen lightning ls218 150kw çıkış gücüne sahiptir 220 kg ağırlığındaki bir araç 218 km s hızla gidebiliyor

electrical motorka org - Sep 14 2021

web 2 electrical motorka org 2023 03 18 nightmare the four friends are forced into a nightmare when a vicious criminal hears about their lottery win he and an accomplice

electrical motorka org sgsbenelux internalpublications com - Jul 25 2022

web electrical motorka org the enigmatic realm of electrical motorka org unleashing the language is inner magic in a fast paced digital era where connections and knowledge

enhancement of cell membrane permeability by using charged - Dec 30 2022

web nov 9 2023 a model bilayer lipid membrane was prepared by droplet contact method permeability of the membrane was evaluated using the electrophysiological technique

electrical motorka org wp publish com - Mar 21 2022

web reviewing electrical motorka org unlocking the spellbinding force of linguistics in a fast paced world fueled by information and interconnectivity the spellbinding force of

electrical motorka org - Oct 16 2021

web each success bordering to the revelation as well as perception of this electrical motorka org can be taken as skillfully as

picked to act electrical motorka org 2021 12 07

[pdf electrical](#) - Jun 04 2023

web a 2 54387 electrical ignition system 2a 0 electrical 90 822900r3 december 1997 table of contents page ignition

specifications 2a 1 stator ohms test

motorik a ana sayfa motorik a mini damper motorlu el arabası - Dec 18 2021

web güvenilir ticari sınıf olan honda gcv 170 motor ile ıslak ve zorlu arazi şartlarında dört tekerden maksimum çekiş sağlar motorik a maksimum 22 derecelik eğimli arazilerde

electrical - Aug 26 2022

web mar 18 2020 at cranking speeds electrical power for the engine is provided by the boat battery minimum recommended size is 750 cca 1 000 mca cold cranking amperes or

correction optical absorption and shape transition in neutral snn - Nov 28 2022

web nov 9 2023 correction optical absorption and shape transition in neutral sn n clusters with n 40 a photodissociation spectroscopy and electric beam deflection study a

[modeling of an electric vehicle with matlab simulink dergipark](#) - May 03 2023

web dec 31 2018 in this re spect interest in electric vehicles is increasing in this study the dynamic model of an electric vehicle was created with matlab simulink the energy

electrical thermal and thermoelectric properties of ti3c2tx film - Jan 31 2023

web nov 6 2023 the electrical and thermal conductivity and seebeck coefficient of ti3c2tx film at room temperature and 0 humidity are 8200 s m 56 w m k and 8 96 v k it is

elektrikli arabaların motorları var mı kia türkiye - Nov 16 2021

web elektrik motorları durdurulduğunda arabayı kapatarak ve frenleme sırasında bataryayı şarj ederek boşa harcanan enerjiyi en aza indirir ve bu sebeple kendiliğinden enerji tasarrufu

[listeners joined body electric study to move throughout the day](#) - Jan 19 2022

web 1 day ago researchers there have found that five minutes of movement every 30 minutes is the best way to counteract this lifestyle but we wanted to see if people could actually

[İstanbul da elektrikli motor firmaları yandex](#) - Apr 21 2022

web elektrikli motor firmaları İstanbul dan adresler telefonlar numaraları kullanıcı yorumları yandex maps size istediğiniz kurumun çalışma saatlerini sokak panoramalarını ve

[elec e motorka org](#) - Sep 07 2023

web electrical systems electrical components 8 1 electrical wiring motorka org 8 2 elec e electrical components m20001 0 75

80 90

electrical and ignition motorka org - Oct 28 2022

web 2b 2 electrical and ignition 90 831996r1 june 1996 check that plug in connectors are fully engaged and free of corrosion
trigger connectors are located behind the

elektrik motorlarının nasıl Çalıştığını Öğrenelim bilim genc - Sep 26 2022

web mar 3 2015 bilmekte fayda var tasarla ve yap köşemizin bu projesinde basit elektrik motorlarının çalışma prensibini
anlamaya çalışıyoruz bir başka deyişle projemizde