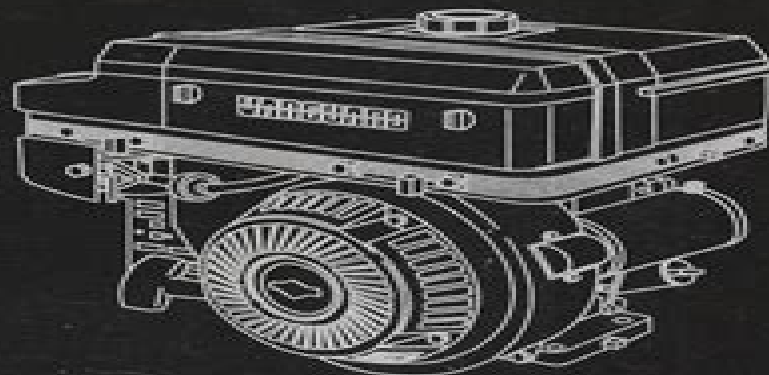
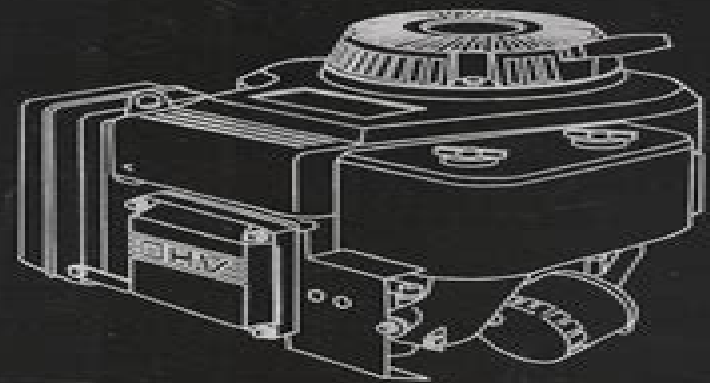
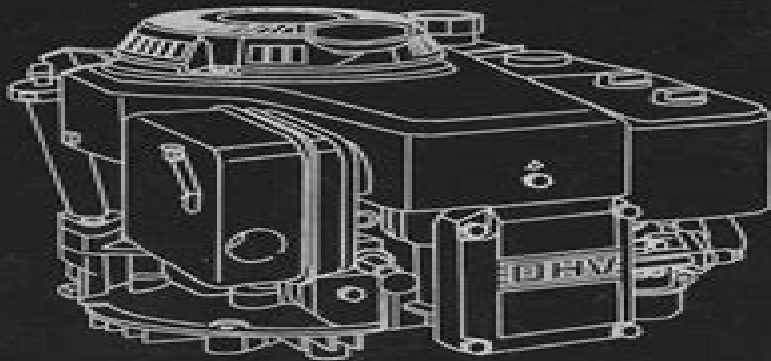




**VANGUARD**

# ***Repair Manual***

***For Single Cylinder OHV Engines***



# Briggs And Stratton Model 80212 Manual

**International Harvester Company**



**Briggs And Stratton Model 80212 Manual:**

Eventually, you will unquestionably discover a extra experience and endowment by spending more cash. still when? get you say yes that you require to acquire those all needs past having significantly cash? Why dont you attempt to acquire something basic in the beginning? Thats something that will lead you to comprehend even more on the subject of the globe, experience, some places, in the same way as history, amusement, and a lot more?

It is your unconditionally own period to comport yourself reviewing habit. along with guides you could enjoy now is **Briggs And Stratton Model 80212 Manual** below.

<https://stats.tinkerine.com/results/scholarship/HomePages/Addictive%20Thinking%20Understanding%20Self%20Deception.pdf>

## **Table of Contents Briggs And Stratton Model 80212 Manual**

1. Understanding the eBook Briggs And Stratton Model 80212 Manual
  - The Rise of Digital Reading Briggs And Stratton Model 80212 Manual
  - Advantages of eBooks Over Traditional Books
2. Identifying Briggs And Stratton Model 80212 Manual
  - Exploring Different Genres
  - Considering Fiction vs. Non-Fiction
  - Determining Your Reading Goals
3. Choosing the Right eBook Platform
  - Popular eBook Platforms
  - Features to Look for in an Briggs And Stratton Model 80212 Manual
  - User-Friendly Interface
4. Exploring eBook Recommendations from Briggs And Stratton Model 80212 Manual
  - Personalized Recommendations
  - Briggs And Stratton Model 80212 Manual User Reviews and Ratings
  - Briggs And Stratton Model 80212 Manual and Bestseller Lists

5. Accessing Briggs And Stratton Model 80212 Manual Free and Paid eBooks
  - Briggs And Stratton Model 80212 Manual Public Domain eBooks
  - Briggs And Stratton Model 80212 Manual eBook Subscription Services
  - Briggs And Stratton Model 80212 Manual Budget-Friendly Options
6. Navigating Briggs And Stratton Model 80212 Manual eBook Formats
  - ePub, PDF, MOBI, and More
  - Briggs And Stratton Model 80212 Manual Compatibility with Devices
  - Briggs And Stratton Model 80212 Manual Enhanced eBook Features
7. Enhancing Your Reading Experience
  - Adjustable Fonts and Text Sizes of Briggs And Stratton Model 80212 Manual
  - Highlighting and Note-Taking Briggs And Stratton Model 80212 Manual
  - Interactive Elements Briggs And Stratton Model 80212 Manual
8. Staying Engaged with Briggs And Stratton Model 80212 Manual
  - Joining Online Reading Communities
  - Participating in Virtual Book Clubs
  - Following Authors and Publishers Briggs And Stratton Model 80212 Manual
9. Balancing eBooks and Physical Books Briggs And Stratton Model 80212 Manual
  - Benefits of a Digital Library
  - Creating a Diverse Reading Collection Briggs And Stratton Model 80212 Manual
10. Overcoming Reading Challenges
  - Dealing with Digital Eye Strain
  - Minimizing Distractions
  - Managing Screen Time
11. Cultivating a Reading Routine Briggs And Stratton Model 80212 Manual
  - Setting Reading Goals Briggs And Stratton Model 80212 Manual
  - Carving Out Dedicated Reading Time
12. Sourcing Reliable Information of Briggs And Stratton Model 80212 Manual
  - Fact-Checking eBook Content of Briggs And Stratton Model 80212 Manual
  - Distinguishing Credible Sources
13. Promoting Lifelong Learning

- Utilizing eBooks for Skill Development
  - Exploring Educational eBooks
14. Embracing eBook Trends
- Integration of Multimedia Elements
  - Interactive and Gamified eBooks

### **Briggs And Stratton Model 80212 Manual Introduction**

In this digital age, the convenience of accessing information at our fingertips has become a necessity. Whether its research papers, eBooks, or user manuals, PDF files have become the preferred format for sharing and reading documents. However, the cost associated with purchasing PDF files can sometimes be a barrier for many individuals and organizations. Thankfully, there are numerous websites and platforms that allow users to download free PDF files legally. In this article, we will explore some of the best platforms to download free PDFs. One of the most popular platforms to download free PDF files is Project Gutenberg. This online library offers over 60,000 free eBooks that are in the public domain. From classic literature to historical documents, Project Gutenberg provides a wide range of PDF files that can be downloaded and enjoyed on various devices. The website is user-friendly and allows users to search for specific titles or browse through different categories. Another reliable platform for downloading Briggs And Stratton Model 80212 Manual free PDF files is Open Library. With its vast collection of over 1 million eBooks, Open Library has something for every reader. The website offers a seamless experience by providing options to borrow or download PDF files. Users simply need to create a free account to access this treasure trove of knowledge. Open Library also allows users to contribute by uploading and sharing their own PDF files, making it a collaborative platform for book enthusiasts. For those interested in academic resources, there are websites dedicated to providing free PDFs of research papers and scientific articles. One such website is Academia.edu, which allows researchers and scholars to share their work with a global audience. Users can download PDF files of research papers, theses, and dissertations covering a wide range of subjects. Academia.edu also provides a platform for discussions and networking within the academic community. When it comes to downloading Briggs And Stratton Model 80212 Manual free PDF files of magazines, brochures, and catalogs, Issuu is a popular choice. This digital publishing platform hosts a vast collection of publications from around the world. Users can search for specific titles or explore various categories and genres. Issuu offers a seamless reading experience with its user-friendly interface and allows users to download PDF files for offline reading. Apart from dedicated platforms, search engines also play a crucial role in finding free PDF files. Google, for instance, has an advanced search feature that allows users to filter results by file type. By specifying the file type as "PDF," users can find websites that offer free PDF downloads on a specific topic. While downloading Briggs And Stratton Model

80212 Manual free PDF files is convenient, its important to note that copyright laws must be respected. Always ensure that the PDF files you download are legally available for free. Many authors and publishers voluntarily provide free PDF versions of their work, but its essential to be cautious and verify the authenticity of the source before downloading Briggs And Stratton Model 80212 Manual. In conclusion, the internet offers numerous platforms and websites that allow users to download free PDF files legally. Whether its classic literature, research papers, or magazines, there is something for everyone. The platforms mentioned in this article, such as Project Gutenberg, Open Library, Academia.edu, and Issuu, provide access to a vast collection of PDF files. However, users should always be cautious and verify the legality of the source before downloading Briggs And Stratton Model 80212 Manual any PDF files. With these platforms, the world of PDF downloads is just a click away.

### **FAQs About Briggs And Stratton Model 80212 Manual Books**

1. Where can I buy Briggs And Stratton Model 80212 Manual books? Bookstores: Physical bookstores like Barnes & Noble, Waterstones, and independent local stores. Online Retailers: Amazon, Book Depository, and various online bookstores offer a wide range of books in physical and digital formats.
2. What are the different book formats available? Hardcover: Sturdy and durable, usually more expensive. Paperback: Cheaper, lighter, and more portable than hardcovers. E-books: Digital books available for e-readers like Kindle or software like Apple Books, Kindle, and Google Play Books.
3. How do I choose a Briggs And Stratton Model 80212 Manual book to read? Genres: Consider the genre you enjoy (fiction, non-fiction, mystery, sci-fi, etc.). Recommendations: Ask friends, join book clubs, or explore online reviews and recommendations. Author: If you like a particular author, you might enjoy more of their work.
4. How do I take care of Briggs And Stratton Model 80212 Manual books? Storage: Keep them away from direct sunlight and in a dry environment. Handling: Avoid folding pages, use bookmarks, and handle them with clean hands. Cleaning: Gently dust the covers and pages occasionally.
5. Can I borrow books without buying them? Public Libraries: Local libraries offer a wide range of books for borrowing. Book Swaps: Community book exchanges or online platforms where people exchange books.
6. How can I track my reading progress or manage my book collection? Book Tracking Apps: Goodreads, LibraryThing, and Book Catalogue are popular apps for tracking your reading progress and managing book collections. Spreadsheets: You can create your own spreadsheet to track books read, ratings, and other details.

7. What are Briggs And Stratton Model 80212 Manual audiobooks, and where can I find them? Audiobooks: Audio recordings of books, perfect for listening while commuting or multitasking. Platforms: Audible, LibriVox, and Google Play Books offer a wide selection of audiobooks.
8. How do I support authors or the book industry? Buy Books: Purchase books from authors or independent bookstores. Reviews: Leave reviews on platforms like Goodreads or Amazon. Promotion: Share your favorite books on social media or recommend them to friends.
9. Are there book clubs or reading communities I can join? Local Clubs: Check for local book clubs in libraries or community centers. Online Communities: Platforms like Goodreads have virtual book clubs and discussion groups.
10. Can I read Briggs And Stratton Model 80212 Manual books for free? Public Domain Books: Many classic books are available for free as they're in the public domain. Free E-books: Some websites offer free e-books legally, like Project Gutenberg or Open Library.

### **Find Briggs And Stratton Model 80212 Manual :**

**addictive thinking understanding self deception**

**ademnood een jeugd onder hitler**

administrative assistant policy and procedure manual

acura tl 2006 manual

ada osha manual

addition performance tasks grade 2

adac reiseferien plus kanada osten

*adios a la crisis economia*

activity 59 glencoe health guided reading activities answers

adiccion a la soledad saga adiccion n<sup>o</sup> 2

admiralty manual of seamanship volume ii b r 67 2

**additional duty safety course exam answers army**

adagio for strings arrangement for saxophone quartet

**ademco vista 50 installation manual**

~~additional maths ocr fsmq grade boundaries 2014 6993~~



**Briggs And Stratton Model 80212 Manual :**

The Encyclopedia of Groove: Book & Online Audio Despite Bobby's command of double bass drum, and limb independence, none here. Despite all it fills the niche nicely. The cd is marginally helpful as well. 3 ... The Encyclopedia of Groove (Book w/CD) Bobby's landmark book/audio package takes you from basic reading and simple rock grooves to highly-advanced funk/fusion patterns. Encyclopedia Of Groove (Book & CD) Encyclopedia Of Groove (Book & CD) ... Groovin'---a fancy way of saying keeping time, is the drummer's primary function. No matter how, where or what you play, ... The Encyclopedia of Groove (Book & CD) [Paperback] ... An excellent transitional book to bridge the gap between the beginner and the intermediate students vocabulary of 8th and 16th note beat patterns. The 2 & 4 ... The Encyclopedia of Groove: Book CD The Encyclopedia of Groove: Book CD. USD\$20.81. Price when purchased online. Image 1 of The Encyclopedia of Groove: Book CD ... The Encyclopedia of Groove: Book & Online Audio [With CD] No matter how, where or what you play, groovin' should be of the utmost importance to you. Bobby Rock "trims away the fat" and shows you practical examples of ... THE ENCYCLOPEDIA OF GROOVE: BOOK & CD By ... THE ENCYCLOPEDIA OF GROOVE: BOOK & CD By Bobby Rock ; Item Number. 335109161261 ; ISBN-10. 0769233678 ; Publication Name. Alfred Music ; Accurate description. 4.9. The Encyclopedia of Groove: Book & Online Audio The Encyclopedia of Groove: Book & Online Audio by Rock, Bobby - ISBN 10 ... paperback/cd edition. 48 pages. 12.00x9.25x0.25 inches. In Stock. Seller ... BOOK & CD By Bobby Rock \*\*Mint Condition ... THE ENCYCLOPEDIA OF GROOVE: BOOK & CD By Bobby Rock \*\*Mint Condition\*\* ; ISBN-10. 0769233678 ; Publication Name. Alfred Music ; Accurate description. 4.9. Rock-Encyclopedia of Groove (CD) Bobby Rock "trims away the fat" and shows you practical examples ... Read Full Description. Full Description; Watch/Listen; 0 Customer Reviews. Rock- ... The Effective Corrections Manager: ... Managing a correctional agency hinges on effectively recruiting, training, directing, and motivating people to provide a stable and safe correctional ... The Effective Corrections Manager The Effective Corrections Manager: Correctional Supervision for the Future, Third Edition covers all the major management topics required for those entering ... Effective Corrections Manager, 3rd Edition The Effective Corrections Manager: Correctional Supervision for the Future, Second Edition provides current information on management and supervision, and ... The Effective Corrections Manager:... by Phillips, Richard This authoritative reference covers all the necessary and relevant management areas at a level of detail that will be useful to all those working in prisons. The Effective Corrections Manager Oct 4, 2012 — Managing a correctional agency hinges on effectively recruiting, training, directing, and motivating people to provide a stable and safe ... The Effective Corrections Manager: ... Managing a correctional agency hinges on effectively recruiting, training, directing, and motivating people to provide a stable and safe correctional. 9781449645465 | Effective Corrections Oct 18, 2012 — Rent textbook Effective Corrections Manager Correctional Supervision for the Future by Gladwin, Bridget - 9781449645465. Price: \$98.72. The effective corrections manager of: The effective corrections manager : correctional

supervision for the future / Richard L. Phillips, Charles. R. McConnell. 2nd ed. c2005. Includes ... The Effective Corrections Manager The Effective Corrections Manager: Correctional Supervision for the Future, Second Edition provides current information on management and supervision, and ... Correctional Supervision for the Future - Gladwin, Bridget ... Managing a correctional agency hinges on effectively recruiting, training, directing, and motivating people to provide a stable and safe correctional ... Service Manual for CBR500R - Honda Rebel 3 Forum Nov 24, 2017 — Hi, I have recently found a service manual for CBR500R. As far as I know our Rebel 500 has the same / similar engine. CBR500 Service Manual FREE download Mar 16, 2017 — Hi, I bought and downloaded a PDF version of the Honda 2013-2016 CBR500 Service Manual and offer it for free download: HONDA CBR500R MANUAL Pdf Download Motorcycle Honda CBR600F4i Series Service Manual. (492 pages). Summary of Contents for Honda CBR500R. Page 1 ... 2022-2023 CB500FA/XA CBR500RA Service Manual Honda Genuine Service Manuals lead the industry with clear, comprehensive presentation of motorcycle service and repair procedures. Each Service Manual is ... 2020 CBR500R/RA Owner's Manual Honda Service Manual to help you perform many maintenance and repair ... 2020 CBR500R/RA Owner's Manual. Authorized Manuals. USA The Service Manual used by your. User manual Honda CBR500R (2022) (English - 145 pages) Manual. View the manual for the Honda CBR500R (2022) here, for free. This manual comes under the category motorcycles and has been rated by 1 people with an ... Honda CBR500R Online Motorcycle Service Manual Service your Honda CBR250R motorcycle with a Cyclepedia service manual. Get color photographs, wiring diagrams, specifications and step-by-step procedures. User manual Honda CBR500R (2016) (English - 137 pages) Manual. View the manual for the Honda CBR500R (2016) here, for free. This manual comes under the category motorcycles and has been rated by 4 people with an ... Honda CBR500R Service Manual eBook : Cyclepedia ... The Cyclepedia.com Honda CBR500R online service manual features detailed full-color photographs, complete specifications with step-by-step procedures ... 2016 CBR500R Owners Manual : r/cbr Hi guys, I'm wondering if anyone has a link to the 2016 CBR500R owners manual pdf or knows where I can get a physical copy. Appreciate the help!