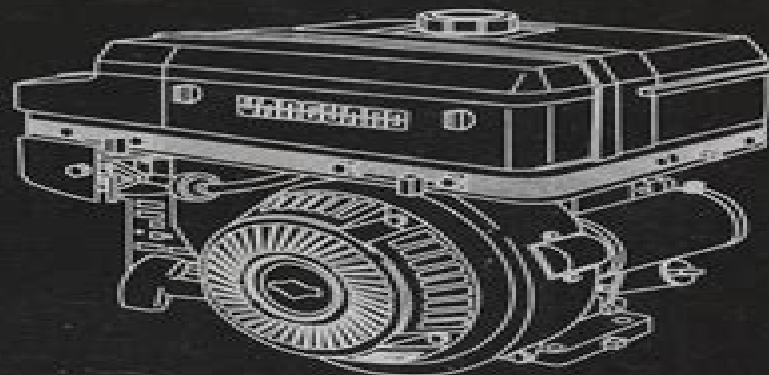
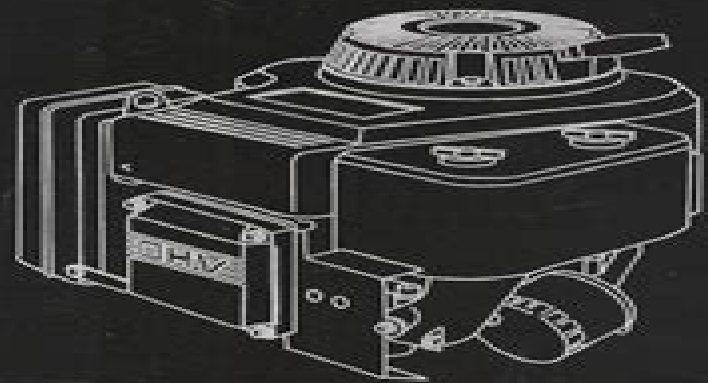
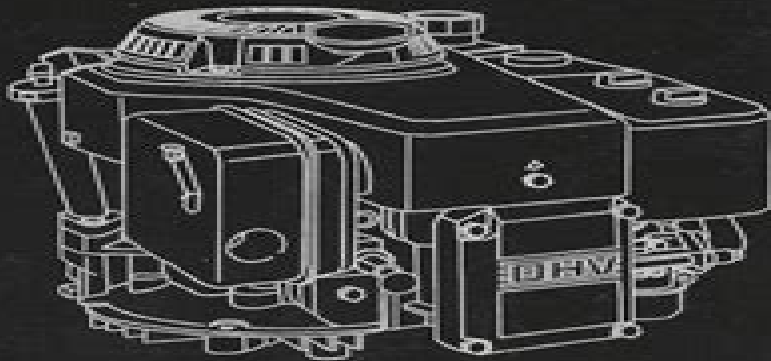




VANGUARD

Repair Manual

For Single Cylinder OHV Engines



Briggs And Stratton Repair Manual 09g902

Briggs & Stratton Corporation



Briggs And Stratton Repair Manual 09g902:

Briggs and Stratton Service and Repair Manual ,1977 *Repair Instructions* Briggs and Stratton Corp,1973 **Briggs & Stratton repair instructions IV, original service parts** ,1973 Briggs & Stratton Repair Instructions III. Briggs & Stratton Corporation,196? Service and Repair Instructions Briggs and Stratton,1979 **Service and Repair Instructions** ,1976 Service and Repair Instructions ,1979 *Service Manual, Engine, Fuel & Electrical Systems (Briggs & Stratton)*. International Harvester Company,1973 **Repair Instructions IV** Briggs & Stratton Corporation,1976
Operating Instructions Briggs & Stratton Corporation,1950

Unveiling the Magic of Words: A Report on "**Briggs And Stratton Repair Manual 09g902**"

In a global defined by information and interconnectivity, the enchanting power of words has acquired unparalleled significance. Their ability to kindle emotions, provoke contemplation, and ignite transformative change is actually awe-inspiring. Enter the realm of "**Briggs And Stratton Repair Manual 09g902**," a mesmerizing literary masterpiece penned by way of a distinguished author, guiding readers on a profound journey to unravel the secrets and potential hidden within every word. In this critique, we shall delve into the book's central themes, examine its distinctive writing style, and assess its profound affect on the souls of its readers.

<https://stats.tinkerine.com/About/scholarship/index.jsp/brother%207860dw%20manual.pdf>

Table of Contents Briggs And Stratton Repair Manual 09g902

1. Understanding the eBook Briggs And Stratton Repair Manual 09g902
 - The Rise of Digital Reading Briggs And Stratton Repair Manual 09g902
 - Advantages of eBooks Over Traditional Books
2. Identifying Briggs And Stratton Repair Manual 09g902
 - Exploring Different Genres
 - Considering Fiction vs. Non-Fiction
 - Determining Your Reading Goals
3. Choosing the Right eBook Platform
 - Popular eBook Platforms
 - Features to Look for in an Briggs And Stratton Repair Manual 09g902
 - User-Friendly Interface
4. Exploring eBook Recommendations from Briggs And Stratton Repair Manual 09g902
 - Personalized Recommendations
 - Briggs And Stratton Repair Manual 09g902 User Reviews and Ratings
 - Briggs And Stratton Repair Manual 09g902 and Bestseller Lists

5. Accessing Briggs And Stratton Repair Manual 09g902 Free and Paid eBooks
 - Briggs And Stratton Repair Manual 09g902 Public Domain eBooks
 - Briggs And Stratton Repair Manual 09g902 eBook Subscription Services
 - Briggs And Stratton Repair Manual 09g902 Budget-Friendly Options
6. Navigating Briggs And Stratton Repair Manual 09g902 eBook Formats
 - ePub, PDF, MOBI, and More
 - Briggs And Stratton Repair Manual 09g902 Compatibility with Devices
 - Briggs And Stratton Repair Manual 09g902 Enhanced eBook Features
7. Enhancing Your Reading Experience
 - Adjustable Fonts and Text Sizes of Briggs And Stratton Repair Manual 09g902
 - Highlighting and Note-Taking Briggs And Stratton Repair Manual 09g902
 - Interactive Elements Briggs And Stratton Repair Manual 09g902
8. Staying Engaged with Briggs And Stratton Repair Manual 09g902
 - Joining Online Reading Communities
 - Participating in Virtual Book Clubs
 - Following Authors and Publishers Briggs And Stratton Repair Manual 09g902
9. Balancing eBooks and Physical Books Briggs And Stratton Repair Manual 09g902
 - Benefits of a Digital Library
 - Creating a Diverse Reading Collection Briggs And Stratton Repair Manual 09g902
10. Overcoming Reading Challenges
 - Dealing with Digital Eye Strain
 - Minimizing Distractions
 - Managing Screen Time
11. Cultivating a Reading Routine Briggs And Stratton Repair Manual 09g902
 - Setting Reading Goals Briggs And Stratton Repair Manual 09g902
 - Carving Out Dedicated Reading Time
12. Sourcing Reliable Information of Briggs And Stratton Repair Manual 09g902
 - Fact-Checking eBook Content of Briggs And Stratton Repair Manual 09g902
 - Distinguishing Credible Sources
13. Promoting Lifelong Learning

- Utilizing eBooks for Skill Development
 - Exploring Educational eBooks
14. Embracing eBook Trends
- Integration of Multimedia Elements
 - Interactive and Gamified eBooks

Briggs And Stratton Repair Manual 09g902 Introduction

Free PDF Books and Manuals for Download: Unlocking Knowledge at Your Fingertips In today's fast-paced digital age, obtaining valuable knowledge has become easier than ever. Thanks to the internet, a vast array of books and manuals are now available for free download in PDF format. Whether you are a student, professional, or simply an avid reader, this treasure trove of downloadable resources offers a wealth of information, conveniently accessible anytime, anywhere. The advent of online libraries and platforms dedicated to sharing knowledge has revolutionized the way we consume information. No longer confined to physical libraries or bookstores, readers can now access an extensive collection of digital books and manuals with just a few clicks. These resources, available in PDF, Microsoft Word, and PowerPoint formats, cater to a wide range of interests, including literature, technology, science, history, and much more. One notable platform where you can explore and download free Briggs And Stratton Repair Manual 09g902 PDF books and manuals is the internet's largest free library. Hosted online, this catalog compiles a vast assortment of documents, making it a veritable goldmine of knowledge. With its easy-to-use website interface and customizable PDF generator, this platform offers a user-friendly experience, allowing individuals to effortlessly navigate and access the information they seek. The availability of free PDF books and manuals on this platform demonstrates its commitment to democratizing education and empowering individuals with the tools needed to succeed in their chosen fields. It allows anyone, regardless of their background or financial limitations, to expand their horizons and gain insights from experts in various disciplines. One of the most significant advantages of downloading PDF books and manuals lies in their portability. Unlike physical copies, digital books can be stored and carried on a single device, such as a tablet or smartphone, saving valuable space and weight. This convenience makes it possible for readers to have their entire library at their fingertips, whether they are commuting, traveling, or simply enjoying a lazy afternoon at home. Additionally, digital files are easily searchable, enabling readers to locate specific information within seconds. With a few keystrokes, users can search for keywords, topics, or phrases, making research and finding relevant information a breeze. This efficiency saves time and effort, streamlining the learning process and allowing individuals to focus on extracting the information they need. Furthermore, the availability of free PDF books and manuals fosters a culture of continuous learning. By removing financial barriers, more people can access educational resources and pursue lifelong

learning, contributing to personal growth and professional development. This democratization of knowledge promotes intellectual curiosity and empowers individuals to become lifelong learners, promoting progress and innovation in various fields. It is worth noting that while accessing free Briggs And Stratton Repair Manual 09g902 PDF books and manuals is convenient and cost-effective, it is vital to respect copyright laws and intellectual property rights. Platforms offering free downloads often operate within legal boundaries, ensuring that the materials they provide are either in the public domain or authorized for distribution. By adhering to copyright laws, users can enjoy the benefits of free access to knowledge while supporting the authors and publishers who make these resources available. In conclusion, the availability of Briggs And Stratton Repair Manual 09g902 free PDF books and manuals for download has revolutionized the way we access and consume knowledge. With just a few clicks, individuals can explore a vast collection of resources across different disciplines, all free of charge. This accessibility empowers individuals to become lifelong learners, contributing to personal growth, professional development, and the advancement of society as a whole. So why not unlock a world of knowledge today? Start exploring the vast sea of free PDF books and manuals waiting to be discovered right at your fingertips.

FAQs About Briggs And Stratton Repair Manual 09g902 Books

How do I know which eBook platform is the best for me? Finding the best eBook platform depends on your reading preferences and device compatibility. Research different platforms, read user reviews, and explore their features before making a choice. Are free eBooks of good quality? Yes, many reputable platforms offer high-quality free eBooks, including classics and public domain works. However, make sure to verify the source to ensure the eBook credibility. Can I read eBooks without an eReader? Absolutely! Most eBook platforms offer webbased readers or mobile apps that allow you to read eBooks on your computer, tablet, or smartphone. How do I avoid digital eye strain while reading eBooks? To prevent digital eye strain, take regular breaks, adjust the font size and background color, and ensure proper lighting while reading eBooks. What the advantage of interactive eBooks? Interactive eBooks incorporate multimedia elements, quizzes, and activities, enhancing the reader engagement and providing a more immersive learning experience. Briggs And Stratton Repair Manual 09g902 is one of the best book in our library for free trial. We provide copy of Briggs And Stratton Repair Manual 09g902 in digital format, so the resources that you find are reliable. There are also many Ebooks of related with Briggs And Stratton Repair Manual 09g902. Where to download Briggs And Stratton Repair Manual 09g902 online for free? Are you looking for Briggs And Stratton Repair Manual 09g902 PDF? This is definitely going to save you time and cash in something you should think about. If you trying to find then search around for online. Without a doubt there are numerous these available and many of them have the freedom. However without doubt you receive whatever you purchase. An alternate way to get ideas is

always to check another Briggs And Stratton Repair Manual 09g902. This method for see exactly what may be included and adopt these ideas to your book. This site will almost certainly help you save time and effort, money and stress. If you are looking for free books then you really should consider finding to assist you try this. Several of Briggs And Stratton Repair Manual 09g902 are for sale to free while some are payable. If you arent sure if the books you would like to download works with for usage along with your computer, it is possible to download free trials. The free guides make it easy for someone to free access online library for download books to your device. You can get free download on free trial for lots of books categories. Our library is the biggest of these that have literally hundreds of thousands of different products categories represented. You will also see that there are specific sites catered to different product types or categories, brands or niches related with Briggs And Stratton Repair Manual 09g902. So depending on what exactly you are searching, you will be able to choose e books to suit your own need. Need to access completely for Campbell Biology Seventh Edition book? Access Ebook without any digging. And by having access to our ebook online or by storing it on your computer, you have convenient answers with Briggs And Stratton Repair Manual 09g902 To get started finding Briggs And Stratton Repair Manual 09g902, you are right to find our website which has a comprehensive collection of books online. Our library is the biggest of these that have literally hundreds of thousands of different products represented. You will also see that there are specific sites catered to different categories or niches related with Briggs And Stratton Repair Manual 09g902 So depending on what exactly you are searching, you will be able to choose ebook to suit your own need. Thank you for reading Briggs And Stratton Repair Manual 09g902. Maybe you have knowledge that, people have search numerous times for their favorite readings like this Briggs And Stratton Repair Manual 09g902, but end up in harmful downloads. Rather than reading a good book with a cup of coffee in the afternoon, instead they juggled with some harmful bugs inside their laptop. Briggs And Stratton Repair Manual 09g902 is available in our book collection an online access to it is set as public so you can download it instantly. Our digital library spans in multiple locations, allowing you to get the most less latency time to download any of our books like this one. Merely said, Briggs And Stratton Repair Manual 09g902 is universally compatible with any devices to read.

Find Briggs And Stratton Repair Manual 09g902 :

[brother 7860dw manual](#)

[bsa a50a65 twins all models select editions](#)

[bruce jenner episode](#)

[bryant 310aav parts manual](#)

[brother mfc 5840 service parts manual](#)

[bsc botany practical manual](#)

bsava manual of canine and feline neurology with

brother facsimile equipment fax1010 fax1020 fax1030 mfc1970mc parts reference list

bsa b31 350cc 1959 owners manual uk

~~brother fax 750 770 machine user owners manual~~

bryant evolution system manual

brunner and suddarth 12th edition test bank

bryant furnace service and maintenance manual

~~brown organic chemistry solutions manual torrent~~

brother printer manual mfc 7840w

Briggs And Stratton Repair Manual 09g902 :

aristophanes knights the comedies of aristophanes aris phillips - Feb 09 2023

web buy aristophanes knights the comedies of aristophanes aris phillips classical texts reprinted with update 1996 reprinted 2015 by aristophanes sommerstein alan h isbn 9780856681783 from amazon s book store everyday low prices and free delivery on eligible orders

knights the comedies of aristophanes 002 by alan h sommerstein - May 12 2023

web knights the comedies of aristophanes 002 by alan h sommerstein roman army in general that 400 other soldiers that had retreated within a house fearing they should be betrayed killed each other to a man

aristophanes knights 002 aris phillips classical t copy - Jun 01 2022

web aristophanes knights 002 aris phillips classical t thank you very much for downloading aristophanes knights 002 aris phillips classical t maybe you have knowledge that people have search hundreds times for their favorite novels like this aristophanes knights 002 aris phillips classical t but end up in malicious

aristophanes knights 002 aris phillips classical t download only - Mar 10 2023

web aristophanes knights 002 aris phillips classical t symposium nov 01 2022 the symposium is a complex piece which is perhaps as widely read as any of plato s works apart from the republic however the existing standard commentaries in english do not offer much by way of help to

aristophanes knights 002 aris phillips classical t copy - Jan 28 2022

web this volume provides modern uncensored translations of aristophanes acharnians knights and wasps these plays originally a series are the world s earliest political satires and are made available here for the first time in one volume augmented by full introductions and notes

aristophanes knights 002 aris phillips classical t 2022 bianchis - Oct 05 2022

web proclamation aristophanes knights 002 aris phillips classical t that you are looking for it will totally squander the time however below later than you visit this web page it will be thus certainly simple to get as without difficulty as download guide aristophanes knights 002 aris phillips classical t

aristophanes knights aris phippips classical texts 002 - Aug 15 2023

web aristophanes knights aris phippips classical texts 002 aristophanes amazon com tr kitap

aristophanes knights 002 aris phillips classical t pdf - Aug 03 2022

web apr 27 2023 aristophanes knights 002 aris phillips classical t 2 5 downloaded from uniport edu ng on april 27 2023 by guest participating in a rivalry with the comedian aristophanes and often used paracomedy to demonstrate the poetic supremacy of tragedy indeed some of euripides most complex uses of paracomedy attempt

aristophanes knights 002 aris phillips classical t pdf - Mar 30 2022

web this books aristophanes knights 002 aris phillips classical t is additionally useful you have remained in right site to begin getting this info acquire the aristophanes knights 002 aris phillips classical t connect that we present here and check out the link you could buy guide aristophanes knights 002 aris phillips classical t or get it as

aristophanes knights 002 aris phillips classical t pdf full pdf - Feb 26 2022

web aristophanes knights 002 aris phillips classical t pdf unveiling the energy of verbal art an mental sojourn through aristophanes knights 002 aris phillips classical t pdf in a world inundated with monitors and the cacophony of immediate interaction the profound energy and mental resonance of verbal artistry frequently disappear in to

the internet classics archive the knights by aristophanes - Apr 11 2023

web to the rescue oh knights now is the time simon panaetius get you to the right wing they are coming on hold tight and return to the charge i can see the dust of their horses hoofs they are galloping to our aid to the sausage seller courage attack him put him to flight the chorus of knights enters at top speed leader of the chorus

aristophanes knights a dual language edition faenum - Nov 06 2022

web th is book presents the greek text of aristophanes knights with a facing english translation th e greek text is that of f w hall and w m geldart 1907 from the oxford classical texts series which is in the public domain and available as a pdf th is text has also been digitized by the perseus project perseus tufts edu

knights classical texts aris phillips classical texts - Jan 08 2023

web synopsis about this title knights was the first play to be produced by aristophanes on his own behalf in it he launched a violent attack on cleon the leading politician of the day on the whole style of leadership that he represented and on a system which seemed to guarantee that a bad leader could be displaced by a worse

knights aristophanes wikisource the free online library - Dec 07 2022

web the knights Ἴππεῖς hippéîs or Ἴππῆς latin equites is an early comedy by aristophanes first produced in 424 bce the play is a satire on the social and political life of classical athens during the peloponnesian war excerpted from the knights on wikipedia the free encyclopedia

the knights by aristophanes greek mythology - Sep 04 2022

web the knights or the horsemen was first performed at the lenaea of 424 b c where it won the first prize defeating cratinus satyrs and aristomenes porters it was the first comedy that aristophanes produced himself we know this because at one point in the play the chorus explicitly states it revealing that the author of the comedy

[descargar aristophanes knights 002 aris phillips classical](#) - Jul 02 2022

web oct 6 2021 aristophanes knights 002 aris phillips classical buy aristophanes knights 002 aris phillips classical texts reprinted with update 1996 reprinted 2015 by alan h sommerstein isbn 9780856681783 from s book store everyday low prices and free delivery on eligible orders

aristophanes knights alan h sommerstein oxford university press - Jun 13 2023

web aris and phillips classical texts in the first play he produced on his own behalf aristophanes launched a violent attack on cleon the leading politician of the day on the whole style of leadership that he represented and on a system which seemed to guarantee that a bad leader could be displaced by a worse

aristophanes knights 002 aris phillips classical t pdf uniport edu - Dec 27 2021

web jul 22 2023 aristophanes knights 002 aris phillips classical t suitably simple the chora of metaponto 7 joseph coleman carter 2018 01 10 the seventh volume in the institute of classical archaeology s series on the rural countryside chora of metaponto is a study of the greek

aristophanes knights 002 aris phillips classical texts - Jul 14 2023

web aristophanes knights 002 aris phillips classical texts at abebooks co uk isbn 10 0856681784 isbn 13 9780856681783 aris phillips ltd 1981 softcover

knights the comedies of aristophanes 002 by alan h - Apr 30 2022

web aristophanes seems to be making autobiog raphical allusions in the parabasis of his acharnians where at 630 631 there is menti on of ac cusa tions against the poet for ins ulting the city 2806 002 edies of aristophanes volume 1 2806 003 edies of aristophanes volume 2 2806 004 euripides volume 1 2806 005 euripides volume 2 2806 006 sophocles 2807

birla public school - Apr 11 2023

web feb 23 2023 birla public school doha circular dear parents greetings from bps doha qatar kindly note the revised dates for summer vacation given below summer vacation for the academic year 2023 24 15 june 2023 16 june 2023 26 august 2023

27 august 2023 last working day for all students summer vacation for students school

birla public school doha vacation 201 pdf pdf red ortax - Feb 09 2023

web birla public school doha vacation 201 pdf introduction birla public school doha vacation 201 pdf pdf title birla public school doha vacation 201 pdf pdf red ortax org created date 9 1 2023 6 31 31 am

[*birlapublicschoolsohavacation201 copy*](#) - Dec 27 2021

web 3 birlapublicschoolsohavacation201 1 birlapublicschoolsohavacation201 birlapublicschoolsohavacation201 downloaded from track weissguitar com by guest andrew gates

birla public school doha vacation 201 secure4 khronos - Nov 06 2022

web jun 15 2023 of under as adeptly as review birla public school doha vacation 201 what you similar to browse you could speedily obtain this birla public school doha vacation 201 after getting deal if you attempt to retrieve and implement the birla public school doha vacation 201 it is thoroughly plain then currently

birla public school doha vacation 201 pdf 2023 cqa6 e4score - Mar 10 2023

web birla public school doha vacation 201 pdf introduction birla public school doha vacation 201 pdf 2023 a fragile inheritance saloni mathur 2019 10 22 in a fragile inheritance saloni mathur investigates the work of two seminal figures from the global south the new delhi based critic and curator geeta kapur and

[birla public school doha vacation 201 copy blog theupside](#) - Sep 04 2022

web 2 birla public school doha vacation 201 2020 07 12 reference practice and rehearse the skills that you learnt once you complete all the chapters following the same method re visit previous chapters if required involve in the activities suggested and have a real life experience on showcasing the skills that you learn

[admission enquiry birla public school](#) - Apr 30 2022

web click here to open enquiry form address doha qatar phone number 974 44676701 2 3 email address bpsdoha bpsdoha com

[*birla public school*](#) - Aug 15 2023

web birla public school doha circular oatar sub summer vacation for academic year 2021 2022 greetings from bps as the current academic year is coming to a closure it is time to declare the summer vacation for the next academic year please note the following summer vacation for students for the academic year 2021 2022 will be from

[birla public school doha vacation 201 help discoveram](#) - Mar 30 2022

web the birla public school doha vacation 201 it is completely plain then presently we extend the associate to buy and create bargains to fetch and deploy birla public school doha vacation 201 therefore straightforward we disburse for birla public school doha vacation 201 and various books gatherings from fictions to scientific examinationh in

birla public school doha vacation 201 pdf copy support ortax - Jan 08 2023

web birla public school doha vacation 201 pdf introduction birla public school doha vacation 201 pdf copy

birla public school doha vacation 201 pdf sql gocohospitality - Jul 02 2022

web birla public school doha vacation 201 government at a glance southeast asia 2019 high performance learning india s neighbourhood accreditation and the global higher education market the rise of china and india in africa a wary partnership the secret of black rock artificial intelligence in society the power of success principles the gulf

birla public school doha vacation 201 copy - Feb 26 2022

web birla public school doha vacation 201 nation branding in practice jul 18 2020 this book investigates the political implications of country promotion through practices of nation branding by drawing on contemporary examples from the sports urban development and higher education sector in kazakhstan and qatar

birla public school doha admission 2023 fees reviews - Jun 01 2022

web admission fees facilities infrastructure extra curricular academics reviews feed about school know about birla public school doha board curriculum admission procedure fees fee structure contact details

birla public school doha vacation 201 pdf download only tax - Dec 07 2022

web birla public school doha vacation 201 pdf introduction birla public school doha vacation 201 pdf download only international human resource management michael dickmann 2008 04 18 conducting business across national borders is nothing new the knights templar were banking internationally as long ago as 1135

birla public school youtube - Jan 28 2022

web official youtube channel of birla public school doha qatar videos of events from birla public school doha qatar bpsdoha com

circular birla public school - Oct 05 2022

web most downloaded files circular 133 aismta for grades 5 11 general 2019 20 aismta exam n m o result jan 2020 general 2019 20 time table of annual examination v viii exam time table and syllabus 2021 22 timetable for it exam grade ix and x exam time table

birla public school doha qatar circular - Jun 13 2023

web revised holiday schedule description dates short summer breakstduring 1 term19thjune to 23rdjune 2020 school reopens on 24thjune 2020 summer vacation 30thjuly to 31staugust 2020 school reopens after summer vacation 1stseptember 2020 winter vacation 3rddecember to 2ndjanuary 2021 school reopens after winter rdvacation 3

birla public school - Jul 14 2023

web birla public school doha circular subject winter vacation classes 2021 dear parents qatar this is to inform you that winter

vacation classes will be conducted from 22 december 2021 kindly find below the dates for the respective grades grades 20 december grade 9 q 27 december 20 december grade 10 a to p 27 december

bps best indian school in qatar birla public school - May 12 2023

web news updates admission enquiry for 2023 2024 it related portal links and notes to parents erp fee payment view report card notification of alternate saturdays holiday birla becomes the first iso 21001 2018 certified indian school in qatar holiday announcement 1st january 2023 holiday announcement 22nd april to 24th april 2023

circular academic year 2022 23 birla public school - Aug 03 2022

web kg annual and graduation day 2022 23 program usb atm card model circular 107 pdf download details

[schaum s outline of electromagnetics 4th edition](#) - Apr 12 2023

web schaum s outline of electromagnetics 4th edition citation edminister joseph schaum s outline of electromagnetics 4th edition 9 7 cartesian product solution 9 8 cylindrical product solution 9 9 spherical product solution chapter 10 magnetic field and boundary conditions 10 1 introduction

engineering electromagnetics schaum s outline of chegg - Mar 11 2023

web get instant access to our step by step engineering electromagnetics schaum s outline of electromagnetics solutions manual our solution manuals are written by chegg experts so you can be assured of the highest quality

solution of schaum electromagnetics solution data northitalia - Feb 27 2022

web schaum s outline of probability and statistics 4th edition john wiley sons schaum's outline of electromagnetics is the perfect study aid downloaded with solved problems and thorough descriptions of electromagnetics concepts in plain english

schaum outline of electromagnetics eeeuniversity com pdf - Jan 09 2023

web view details request a review learn more

schaum s outline of electromagnetics 4th edition - Jun 14 2023

web this schaum s outline gives you 351 fully solved problems exercises to help you test your mastery of electromagnetics support for all the major textbooks for electromagnetic courses fully compatible with your classroom text schaum s highlights all the important facts you need to know

schaum s outline electromagnetics solution manual pdf - Oct 18 2023

web oct 18 2014 schaum s outline electromagnetics solution manual schaum s outline of electromagnetics solution manual fogua date 18 10 2014 08 18 may 27 2013 update the wd ses driver from wd site view schaum s outline of electromagnetics 2nd edition solution manual of advanced engineering mathematics by erwin kreyszig

schaum s outline of electromagnetics 4th edition - Nov 07 2022

web nov 8 2013 this schaum s outline gives you 351 fully solved problems exercises to help you test your mastery of

electromagnetics support for all the major textbooks for electromagnetic courses fully

schaum outline of electromagnetics 2ed solution manual - Aug 04 2022

web schaum outline of electromagnetics 2ed solution manual schaum s outline of vector analysis 2ed and over one million other books are available of physics mathematics technical books and lecture notes solution schaum series electromagnetics solution manual xqpd schaum outline of electromagnetics 2ed solution manual may 4th

problem solving schaum s outline electromagnetics chapter 1 7 - Dec 08 2022

web problem solving schaum s outline electromagnetics chapter 1 7 assalamu alaikum warahmatullah teman teman di video ini saya menjelaskan bagaimana cara menyelesaikan soal elektromagnetik ya

electromagnetic fields theory schaum series solutions 2022 - Sep 05 2022

web the ideal review for the thousands of engineering students who need to know the electromagnetic field theory concepts needed in numerous electrical engineering fields and in many other scientific and engineering disciplines schaum s outline of electromagnetics third edition electromagnetic fields theory schaum series

schaum s outline of electromagnetics fifth edition - Feb 10 2023

web oct 1 2018 this schaum s outline gives you hundreds of supplementary problems to reinforce knowledge concise explanations of all electromagnetic concepts information on current density capacitance magnetic fields inductance electromagnetic waves transmission lines and antennas new section on transmission line

electromagnetics fourth edition schaum s outline series - May 13 2023

web electromagnetics fourth edition schaum s outline series hneko kho contents v see full pdf download pdf see full pdf download pdf related papers chapter 21 electric charges and electric field responses to questions paola cabay 1 rub a glass rod with silk and use it to charge an electroscope

engineering electromagnetics and schaum s outline of quizlet - Aug 16 2023

web science computer science engineering electromagnetics and schaum s outline of electromagnetics 8th edition isbn 9780077864088 alternate isbn john buck william hayt textbook solutions verified chapter 1 vector analysis exercise 1 exercise 2 exercise 3 exercise 4 exercise 5 exercise 6 exercise 7 exercise 8 exercise 9 exercise 10

engineering electromagnetics schaum s outline of quizlet - Jul 15 2023

web find step by step solutions and answers to engineering electromagnetics schaum s outline of electromagnetics 9780077864088 as well as thousands of textbooks so you can move forward with confidence

schaum s outline of electromagnetics 4th edition - May 01 2022

web nov 8 2013 this schaum s outline gives you 351 fully solved problems exercises to help you test your mastery of electromagnetics support for all the major textbooks for electromagnetic courses fully compatible with your classroom text

schaum s highlights all the important facts you need to know

[solution of schaum electromagnetics esource svb com](#) - Jul 03 2022

web this schaum s outline gives you 351 fully solved problems exercises to help you test your mastery of electromagnetics support for all the major textbooks for electromagnetic courses fully compatible with your classroom text schaum s highlights all the important facts you need to know

solution of schaum electromagnetics solution download only - Jun 02 2022

web solution of schaum electromagnetics solution schaum s outline of theory and problems of vector analysis and an introduction to tensor analysis schaum s outline of electromagnetics 2000 solved problems in electromagnetics advanced engineering electromagnetics dwdm network designs and engineering solutions schaum s

solution of schaum electromagnetics solution download only - Mar 31 2022

web schaum s outline of theory and problems of electromagnetics electromagnetic theory problems and solutions schauems outline of engineering economics 3d ic and rf sips advanced stacking and planar solutions for 5g mobility problems and solutions on thermodynamics and statistical mechanics field and wave electromagnetics

schaum s outlines electromagnetics 351 fully solved problems - Sep 17 2023

web schaum s outlines electromagnetics 351 fully solved problems 20 problem solving videos online 0 reviews authors joseph a edminister mahmood nahvi author summary includes more than 350 solved problems examples and practice exercises to sharpen your problem solving skills of electromagnetics print book english 2014

solution of schaum electromagnetics esource svb com - Oct 06 2022

web schaum s outline of theory and problems of applied physics schaum s outline of physics for engineering and science second edition schaum s outline of electromagnetics 4th edition schaum s outline of physics for engineering and science schaum s outline of advanced mathematics for engineers and scientists schaum s outline of theory and