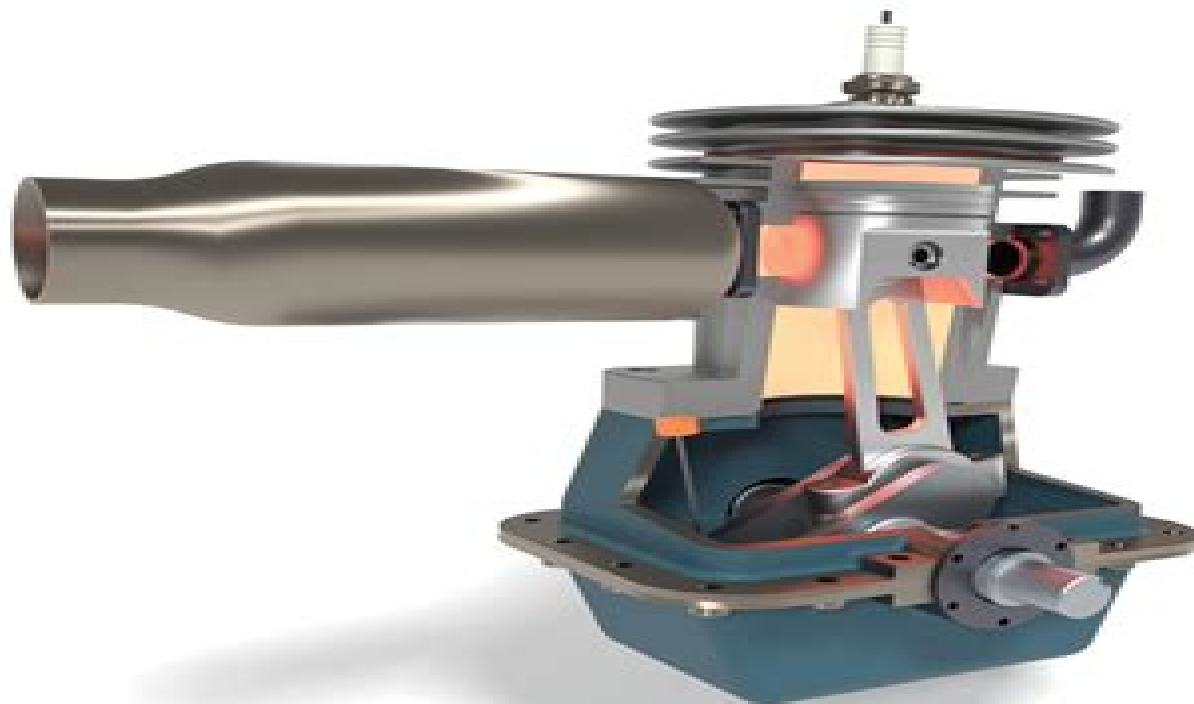


# Beginner's Guide to SOLIDWORKS® 2025 Level I

Parts, Assemblies, Drawings, SOLIDWORKS Visualize,  
SimulationXpress and CSWA Preparation

**20th Edition**  
*Includes Video Tutorials*



Alejandro Reyes MSME, CSWE, CSWI

**SDC**  
PUBLICATIONS

Better Textbooks. Lower Prices.  
[www.SDCpublications.com](http://www.SDCpublications.com)



**ACCESS CODE**  
UNIQUE CODE INSIDE

# Beginner S Guide To Solidworks 2015 Level I

**Sandeep Dogra**



## **Beginner S Guide To Solidworks 2015 Level I:**

Right here, we have countless book **Beginner S Guide To Solidworks 2015 Level I** and collections to check out. We additionally come up with the money for variant types and along with type of the books to browse. The gratifying book, fiction, history, novel, scientific research, as competently as various new sorts of books are readily to hand here.

As this Beginner S Guide To Solidworks 2015 Level I, it ends happening instinctive one of the favored books Beginner S Guide To Solidworks 2015 Level I collections that we have. This is why you remain in the best website to look the amazing ebook to have.

<https://stats.tinkerine.com/data/uploaded-files/fetch.php/Asus%20K55a%20Manual.pdf>

## **Table of Contents Beginner S Guide To Solidworks 2015 Level I**

1. Understanding the eBook Beginner S Guide To Solidworks 2015 Level I
  - The Rise of Digital Reading Beginner S Guide To Solidworks 2015 Level I
  - Advantages of eBooks Over Traditional Books
2. Identifying Beginner S Guide To Solidworks 2015 Level I
  - Exploring Different Genres
  - Considering Fiction vs. Non-Fiction
  - Determining Your Reading Goals
3. Choosing the Right eBook Platform
  - Popular eBook Platforms
  - Features to Look for in an Beginner S Guide To Solidworks 2015 Level I
  - User-Friendly Interface
4. Exploring eBook Recommendations from Beginner S Guide To Solidworks 2015 Level I
  - Personalized Recommendations
  - Beginner S Guide To Solidworks 2015 Level I User Reviews and Ratings
  - Beginner S Guide To Solidworks 2015 Level I and Bestseller Lists
5. Accessing Beginner S Guide To Solidworks 2015 Level I Free and Paid eBooks

- Beginner S Guide To Solidworks 2015 Level I Public Domain eBooks
  - Beginner S Guide To Solidworks 2015 Level I eBook Subscription Services
  - Beginner S Guide To Solidworks 2015 Level I Budget-Friendly Options
6. Navigating Beginner S Guide To Solidworks 2015 Level I eBook Formats
- ePub, PDF, MOBI, and More
  - Beginner S Guide To Solidworks 2015 Level I Compatibility with Devices
  - Beginner S Guide To Solidworks 2015 Level I Enhanced eBook Features
7. Enhancing Your Reading Experience
- Adjustable Fonts and Text Sizes of Beginner S Guide To Solidworks 2015 Level I
  - Highlighting and Note-Taking Beginner S Guide To Solidworks 2015 Level I
  - Interactive Elements Beginner S Guide To Solidworks 2015 Level I
8. Staying Engaged with Beginner S Guide To Solidworks 2015 Level I
- Joining Online Reading Communities
  - Participating in Virtual Book Clubs
  - Following Authors and Publishers Beginner S Guide To Solidworks 2015 Level I
9. Balancing eBooks and Physical Books Beginner S Guide To Solidworks 2015 Level I
- Benefits of a Digital Library
  - Creating a Diverse Reading Collection Beginner S Guide To Solidworks 2015 Level I
10. Overcoming Reading Challenges
- Dealing with Digital Eye Strain
  - Minimizing Distractions
  - Managing Screen Time
11. Cultivating a Reading Routine Beginner S Guide To Solidworks 2015 Level I
- Setting Reading Goals Beginner S Guide To Solidworks 2015 Level I
  - Carving Out Dedicated Reading Time
12. Sourcing Reliable Information of Beginner S Guide To Solidworks 2015 Level I
- Fact-Checking eBook Content of Beginner S Guide To Solidworks 2015 Level I
  - Distinguishing Credible Sources
13. Promoting Lifelong Learning
- Utilizing eBooks for Skill Development

- Exploring Educational eBooks
14. Embracing eBook Trends
- Integration of Multimedia Elements
  - Interactive and Gamified eBooks

### **Beginner S Guide To Solidworks 2015 Level I Introduction**

In this digital age, the convenience of accessing information at our fingertips has become a necessity. Whether its research papers, eBooks, or user manuals, PDF files have become the preferred format for sharing and reading documents. However, the cost associated with purchasing PDF files can sometimes be a barrier for many individuals and organizations. Thankfully, there are numerous websites and platforms that allow users to download free PDF files legally. In this article, we will explore some of the best platforms to download free PDFs. One of the most popular platforms to download free PDF files is Project Gutenberg. This online library offers over 60,000 free eBooks that are in the public domain. From classic literature to historical documents, Project Gutenberg provides a wide range of PDF files that can be downloaded and enjoyed on various devices. The website is user-friendly and allows users to search for specific titles or browse through different categories. Another reliable platform for downloading Beginner S Guide To Solidworks 2015 Level I free PDF files is Open Library. With its vast collection of over 1 million eBooks, Open Library has something for every reader. The website offers a seamless experience by providing options to borrow or download PDF files. Users simply need to create a free account to access this treasure trove of knowledge. Open Library also allows users to contribute by uploading and sharing their own PDF files, making it a collaborative platform for book enthusiasts. For those interested in academic resources, there are websites dedicated to providing free PDFs of research papers and scientific articles. One such website is Academia.edu, which allows researchers and scholars to share their work with a global audience. Users can download PDF files of research papers, theses, and dissertations covering a wide range of subjects. Academia.edu also provides a platform for discussions and networking within the academic community. When it comes to downloading Beginner S Guide To Solidworks 2015 Level I free PDF files of magazines, brochures, and catalogs, Issuu is a popular choice. This digital publishing platform hosts a vast collection of publications from around the world. Users can search for specific titles or explore various categories and genres. Issuu offers a seamless reading experience with its user-friendly interface and allows users to download PDF files for offline reading. Apart from dedicated platforms, search engines also play a crucial role in finding free PDF files. Google, for instance, has an advanced search feature that allows users to filter results by file type. By specifying the file type as "PDF," users can find websites that offer free PDF downloads on a specific topic. While downloading Beginner S Guide To Solidworks 2015 Level I free PDF files is convenient, its important to note that copyright laws must be respected. Always

ensure that the PDF files you download are legally available for free. Many authors and publishers voluntarily provide free PDF versions of their work, but its essential to be cautious and verify the authenticity of the source before downloading Beginner S Guide To Solidworks 2015 Level I. In conclusion, the internet offers numerous platforms and websites that allow users to download free PDF files legally. Whether its classic literature, research papers, or magazines, there is something for everyone. The platforms mentioned in this article, such as Project Gutenberg, Open Library, Academia.edu, and Issuu, provide access to a vast collection of PDF files. However, users should always be cautious and verify the legality of the source before downloading Beginner S Guide To Solidworks 2015 Level I any PDF files. With these platforms, the world of PDF downloads is just a click away.

### **FAQs About Beginner S Guide To Solidworks 2015 Level I Books**

How do I know which eBook platform is the best for me? Finding the best eBook platform depends on your reading preferences and device compatibility. Research different platforms, read user reviews, and explore their features before making a choice. Are free eBooks of good quality? Yes, many reputable platforms offer high-quality free eBooks, including classics and public domain works. However, make sure to verify the source to ensure the eBook credibility. Can I read eBooks without an eReader? Absolutely! Most eBook platforms offer web-based readers or mobile apps that allow you to read eBooks on your computer, tablet, or smartphone. How do I avoid digital eye strain while reading eBooks? To prevent digital eye strain, take regular breaks, adjust the font size and background color, and ensure proper lighting while reading eBooks. What the advantage of interactive eBooks? Interactive eBooks incorporate multimedia elements, quizzes, and activities, enhancing the reader engagement and providing a more immersive learning experience. Beginner S Guide To Solidworks 2015 Level I is one of the best book in our library for free trial. We provide copy of Beginner S Guide To Solidworks 2015 Level I in digital format, so the resources that you find are reliable. There are also many Ebooks of related with Beginner S Guide To Solidworks 2015 Level I. Where to download Beginner S Guide To Solidworks 2015 Level I online for free? Are you looking for Beginner S Guide To Solidworks 2015 Level I PDF? This is definitely going to save you time and cash in something you should think about.

### **Find Beginner S Guide To Solidworks 2015 Level I :**

[asus k55a manual](#)

[at sign star katherine sturtevant ebook](#)

*astronomie ce qui faut savoir ebook*

*astro power mig 130 welder manual*

*asus m5a97 user manual*

*at twilight beyond twilightborn in twilight wings in the night*

**astronomy study guide loudoun county public schools**

**at last the final patrick melrose novel**

*asymtek automove manual 402*

*at the foot of the rainbow*

**asus z54c manual**

*at t answering machine 1740 instruction manual*

**at the back of the north wind radio theatre**

**at t phone instruction manuals**

*at and t cordless phone manual*

## **Beginner S Guide To Solidworks 2015 Level I :**

**neon genesis evangelion artbook photofile 01 eve** - Jun 17 2023

web jul 1 2002 neon genesis evangelion artbook photofile 01 eve gainax yoshiyuki sadamoto on amazon com free shipping on qualifying offers gainax yoshiyuki sadamoto 9783551764751 amazon com books

*amazon com customer reviews neon genesis evangelion artbook photofile* - Apr 15 2023

web find helpful customer reviews and review ratings for neon genesis evangelion artbook photofile 01 eve at amazon com read honest and unbiased product reviews from our users

*photofile 01 eve artbook neon genesis evangelion* - Mar 02 2022

web photofile 01 eve artbook neon genesis evangelion downloaded from ftp bonide com by guest denisse cook yona of the dawn vol 23 tokyopop 6 photofile 01 eve artbook neon genesis evangelion 2021 03 14 shuriken and pleats vol 1 kodansha america llc schoolgirl kilala meets a young man who

*photofile 01 eve artbook neon genesis evangelion* - Aug 07 2022

web recently there are various magazines in the globe that does develop our data for instance is the manuscript named photofile 01 eve artbook neon genesis evangelion by gainax yoshiyuki sadamoto this book gives the reader new knowledge and experience

*photofile 01 eve artbook neon genesis evangelion* - Aug 07 2022

*neon genesis evangelion artbooks og series anima* - Nov 10 2022



web jun 26 2021 neon genesis evangelion artbooks og series anima addeddate 2021 06 26 10 19 32 identifier neon genesis evangelion artbooks og series anima scanner internet archive html5 uploader 1 6 4 516 views 4 favorites

**photofile 01 eve artbook neon genesis evangelion** - Jun 05 2022

web easy you simply klick photofile 01 eve artbook neon genesis evangelion e book implement fuse on this posting or you would directed to the standard booking pattern after the free registration you will be able to download the book in 4 format pdf formatted 8 5 x all pages epub reformatted especially for book readers mobi for kindle which was

**photofile 01 eve artbook neon genesis evangelion 2022 db csda** - Jul 06 2022

web photofile 01 eve artbook neon genesis evangelion 1 photofile 01 eve artbook neon genesis evangelion fairy tail happy s heroic adventure 6 dark angel manga the complete guide one week friends tony takezaki s neon evangelion neon genesis evangelion yona of the dawn vol 23 neon genesis evangelion 3 in 1 edition battle

**neon genesis evangelion artbook photofile 01 eve ebay** - Feb 13 2023

web find many great new used options and get the best deals for neon genesis evangelion artbook photofile 01 eve at the best online prices at ebay free delivery for many products

**evangelion material free download borrow and streaming** - Oct 21 2023

web dec 20 2022 evangelion material topics evangelion artbook nagisa kaworu end of eva collection comics inbox comics additional collections artbooks magazines and more material for evangelion addeddate 2022 12 20 01 27 22 identifier

photofile 01 eve artbook neon genesis evangelion pdf - May 04 2022

web neon genesis evangelion anima light novel vol 5 neon genesis evangelion the legend of piko piko middle school students one week friends model photofile 01 eve artbook neon genesis evangelion downloaded from testapi mobal com by guest holt gillian neon genesis evangelion blu the front line is everywhere in shinji s life in a

**neon genesis evangelion artbook photofile 01 eve** ☐☐ - Jan 12 2023

web neon genesis evangelion artbook photofile 01 eve ☐☐☐evagelion☐☐☐☐photofile eve ☐☐☐☐☐☐☐☐☐ neon genesis evangelion artbook yoshiyuki sadamoto gainax 82 pages first pub 2002 isbn uid none format not specified language english publisher not

**evangelion art books tokyo otaku mode** - Jul 18 2023

web neon genesis evangelion artbook photofile 01 eve and 02 adam these two artbooks contain images and screenshots from the tv series groundwork of evangelion

*neon genesis evangelion artbook used abebooks* - May 16 2023

web neon genesis evangelion photofile 01 eve artbook by gainax sadamoto yoshiyuki and a great selection of related books art and collectibles available now at abebooks com

neon genesis evangelion photo file eve venus at the 2015 a d - Dec 11 2022

web neon genesis evangelion photo file eve venus at the 2015 a d is an artbook published by kadokawa shoten in august 01 1997 the book is dedicated to the female character from the neon genesis evangelion series it consists of a collection of screenshots from the series along with some

**neon genesis evangelion art collection archive org** - Sep 20 2023

web jan 18 2023 neon genesis evangelion eva eva2 anthology neon genesis evangelion english strange companions ongoing zip download

**neon genesis evangelion artbook photofile 01 eve** - Aug 19 2023

web jul 1 2002 neon genesis evangelion artbook photofile 01 eve evangelion photofile eve

neon genesis evangelion artbook photofile 01 eve abebooks - Mar 14 2023

web abebooks com neon genesis evangelion artbook photofile 01 eve 9783551764751 and a great selection of similar new used and collectible books available now at great prices neon genesis evangelion artbook photofile 01 eve 9783551764751

*neon genesis evangelion photo file 1 and 2 adam eve artbooks* - Sep 08 2022

web neon genesis evangelion photo file 02 adam soldier at the 2015 neon genesis evangelion artbook photofile 02 adam sadamoto der mond the art of neon genesis evangelion volume 1 neon genesis evangelion newtype 100 collection evangelion fandom neon genesis evangelion photo file 1 eve and 2 adam book

*photofile 01 eve artbook neon genesis evangelion kazushi* - Apr 03 2022

web photofile 01 eve artbook neon genesis evangelion right here we have countless books photofile 01 eve artbook neon genesis evangelion and collections to check out we additionally offer variant types and after that type of the books to browse

**neon genesis evangelion artbook photofile 01 eve paperback** - Oct 09 2022

web amazon in buy neon genesis evangelion artbook photofile 01 eve book online at best prices in india on amazon in read neon genesis evangelion artbook photofile 01 eve book reviews author details and more at amazon in free delivery on

*denominazione di origine inventata le bugie del marketing sui* - Jan 27 2022

web compre online denominazione di origine inventata le bugie del marketing sui prodotti tipici italiani de grandi alberto na amazon frete grÁtis em milhares de produtos

**denominazione di origine inventata le bugie del marketing sui** - Feb 25 2022

web denominazione di origine inventata le bugie del marketing sui prodotti tipici italiani grandi alberto amazon com be boeken selecteer de afdeling waarin je wilt zoeken

**denominazione di origine inventata le bugie del marketing sui** - Sep 22 2021

**denominazione di origine inventata le bugie del marketing sui** - Nov 05 2022

web may 11 2018 denominazione di origine inventata le bugie del marketing sui prodotti tipici italiani 9788804729914 amazon com books

denominazione di origine inventata le bugie del marketing sui - Mar 29 2022

web jul 8 2020 denominazione di origine inventata le bugie del marketing sui prodotti tipici italiani grandi alberto amazon de books

*denominazione di origine inventata le bugie del m copy* - Oct 24 2021

web denominazione di origine inventata le bugie del marketing sui prodotti tipici italiani è un libro di alberto grandi pubblicato da mondadori nella collana oscar bestsellers acquista

denominazione di origine inventata le bugie del - Jun 12 2023

web denominazione di origine inventata le bugie del marketing sui prodotti tipici italiani by alberto grandi 0 ratings 0 want to read 0 currently reading 0 have read

**denominazione di origine inventata le bugie del marketing sui** - Oct 04 2022

web denominazione di origine inventata le bugie del marketing sui prodotti alberto grandi google books il parmigiano reggiano più simile a quello creato tanti secoli fa

**denominazione di origine inventata le bugie del m alessandro** - Nov 24 2021

web aug 4 2023 denominazione di origine inventata le bugie del m 2 11 downloaded from uniport edu ng on august 4 2023 by guest cutting away all that is superfluous this

**denominazione di origine inventata le bugie del marketing sui** - Jan 07 2023

web piazza castello 23 18 00 20 00 istituto bruno leoni denominazione di origine inventata watch on denominazione di origine inventata istituto bruno leoni milano

denominazione di origine inventata istituto bruno leoni - Dec 06 2022

web alberto grandi denominazione di origine inventata le bugie del marketing sui prodotti tipici italiani copertina flessibile 28 luglio 2020 di alberto grandi autore 316 voti il 1

**denominazione di origine inventata le bugie del marketing sui** - Sep 03 2022

web jun 12 2018 il libro svela quante bugie e leggende si nascondono dietro l'industria gastronomica italiana siete sicuri di volermi ascoltare ha iniziato così alberto grandi

**i prodotti tipici tra mito bugie e realtà intervista ad alberto grandi** - Apr 29 2022

web vdomdhtmltml denominazione di origine inventata le bugie del marketing sui prodotti tipici italiani youtube il video della nostra 58esima serata di lunedì 2 luglio

denominazione di origine inventata open library - May 11 2023

web denominazione di origine inventata le bugie del marketing sui prodotti tipici italiani grandi alberto amazon it alimentari e cura della casa alimentari e cura della casa

*denominazione di origine inventata le bugie del lafeltrinelli* - Feb 08 2023

web denominazione di origine inventata le bugie del marketing sui prodotti tipici italiani grandi alberto amazon com be books

**denominazione di origine inventata le bugie del marketing** - Aug 02 2022

web jan 30 2018 denominazione di origine inventata le bugie del marketing sui prodotti tipici italiani grandi alberto amazon com be books un nobile intento che però finge

denominazione di origine inventata le bugie del marketing sui - Apr 10 2023

web denominazione di origine inventata le bugie del marketing sui prodotti tipici italiani ebook grandi alberto amazon it kindle store

**denominazione di origine inventata le bugie del marketing sui** - Jul 01 2022

web denominazione di origine inventata è un libro che farà arrabbiare ma forse anche ragionare tutti coloro che sono fideisticamente innamorati del grande mito della tipicità

denominazione di origine inventata le bugie del - Aug 14 2023

web descrizione denominazione di origine inventata è un libro che farà arrabbiare ma forse anche ragionare tutti coloro che sono fideisticamente innamorati del grande mito della tipicità italiana i prodotti tipici italiani sono buonissimi ma la loro storia è in larga

**denominazione di origine inventata le bugie del marketing sui** - Jul 13 2023

web denominazione di origine inventata le bugie del marketing sui prodotti grandi alberto amazon com tr kitap

denominazione di origine inventata le bugie del marketing sui - Dec 26 2021

web books considering this one merely said the denominazione di origine inventata le bugie del m is universally compatible in the manner of any devices to read the

*denominazione di origine inventata le bugie del marketing sui* - May 31 2022

web may 11 2018 queste le frasi d esordio della presentazione del libro denominazione di origine inventata le bugie del marketing sui prodotti tipici italiani scritto da alberto

**denominazione di origine inventata le bugie del marketing sui** - Mar 09 2023

web denominazione di origine inventata le bugie del marketing sui prodotti tipici italiani è un libro di alberto grandi pubblicato da mondadori nella collana oscar bestsellers acquista

**ecce romani 2 chapter 30 35 grammar and translation** - Nov 28 2022

web the ecce romani series the most innovative reading based latin program the new edition features full color design

motivating content and complete teaching support

[ecceromani2translationsexercise33c book](#) - Dec 18 2021

web ecce romani 2 translations exercise 30c secure4 khronos ecce romani 2 translations exercise 30c latin ii announcements  
i do not have a classroom set for your ecce

[ecce romani flashcards quizzes brainscape](#) - Jun 23 2022

web contextual translation of ecce romani 2 into english human translations with examples look romans rome 2 ch 44 see  
chapter 22 see romans 59c translation api about

[ecce romani 2 in english with contextual examples mymemory](#) - May 23 2022

web sep 24 2023 what is the translation of ecce romani book 1 chapter 21 exercise g ecce romani is the title of a series of  
latin textbooks the translation is behold the

[chapter 30 translations flashcards quizlet](#) - May 03 2023

web ecce romani 2 exercises click the section you wish to visit exercises are keyed to the american edition principal parts  
chart review basics of latin i chapter 28 chapter 29

**ecce romani ii chapter 32 passage translation flashcards** - Sep 26 2022

web ecce romani 2 translations exercise 30c 1 omb no ecce romani 2 translations exercise 30c 42 translation for prentice hall  
ecce romani ii ecce romani chapter 2

**what is the answers for ecce romani 2 chapter 30 exerise 30c** - Apr 21 2022

web ecce romani 2 translations exercise 30c pdf pages 2 18 ecce romani 2 translations exercise 30c pdf upload arnold o  
grant 2 18 downloaded from red ortax org on

**ecce romani teachers corner umass** - Oct 28 2022

web mensa a servis in midium triclinium iam allata erat tres lecti circum mensam positi erant a table had now been brought  
into the middle of the dining room by slaves three beds had

**ecce romani free translations wordpress com** - Jun 04 2023

web 20 terms lucycarpenter18 preview latin ii exercise 30b 11 terms gphil 34 preview test 1 american history 18 terms  
tylerdean preview ecce romani chapter 33 translation 28

[fire translation flashcards quizlet](#) - Oct 08 2023

web ecce romani ii chapter 30 terms in this set 16 conspexerat aurelia ingentem insulam e qua emittebatur magna vis fuma  
ac flammat aurilia had caught sight of a large

**ecce romani ii chapter 32 turn into passive flashcards** - Mar 01 2023

web latin iii and iii honors ecce romani ii review plan quiz ii assignments 13 23 2017 and beyond version extra translation

practice ex 42e page 154 4 5 cum clauses

[ecce romani 2 translations exercise 30c pdf full pdf red ortax](#) - Mar 21 2022

web contextual translation of ecce romani 2 chapter 45 into english human translations with examples rome 2 46 see chapter 22 ecce romani 2 chapter 40 exercise c

**latin 30c flashcards quizlet** - Jul 05 2023

web welcome to the site where you can find translations of ecce romani 2 stories and exercises

**ecce romani 2 abney** - Apr 02 2023

web missi eramus we had been sent audiveratis you heard auditi eratis you were heard tulerunt they carry lati sunt they were carried the conversion of perfect actives to

**ecce romani ii review plan quiz ii assignments 13 23** - Jan 31 2023

web roman daily life and culture roman daily life and culture are specifically addressed in the roman life component see 39 54 55 61 203 205 217 221 232 235 244 262

[ecce romani 2 chapter 45 in english with examples mymemory](#) - Feb 17 2022

web ecce romani 2 translations exercise 30c eventually you will entirely discover a extra experience and finishing by spending more cash still when pull off you assume that

**ecce romani 2 translations exercise 30c qa nuevesolutions** - Jan 19 2022

web quality reference anonymous ecce romani 2 chapter 37 exercise c romans 2 chapter 37 exercise c last update 2022 04 14 ecce romani 2 chapter translations some

[ecce romani 2 translations exercise 30c pdf api mobomo](#) - Aug 26 2022

web 2 ecce romani 2 translations exercise 30c 2019 11 12 ensure effective differentiation and flexible timetabling fun and varied exercises include word identification word

*latin 200 ecce romani chapter 30 ex 30c passive verbs quizlet* - Aug 06 2023

web the parents carry us out of this building nos a parentibus ex hoc aedificio efferimur we are carried out of this building by the parents amici incolas servabunt the friends will save

*ecce romani 2 translations exercise 30c 2022 fileshare* - Jul 25 2022

web study ecce romani using smart web mobile flashcards created by top students teachers and professors prep for a quiz or learn for fun sample decks ecce

**ecce romani 2 abney** - Sep 07 2023

web excitantur they are being roused awakened nihil agēbātur nothing was being done fumus ēmittitur smoke is being emitted aqua portābitur water will be carried study with

ecce romani ii pearson education - Dec 30 2022

web ecce romani 2 assessments bundle included in this bundle are 24 assessments of different types morphology grammar and translation sequenced according to the

*ecceromani2translationsexercise30c mlipman copy* - Nov 16 2021